

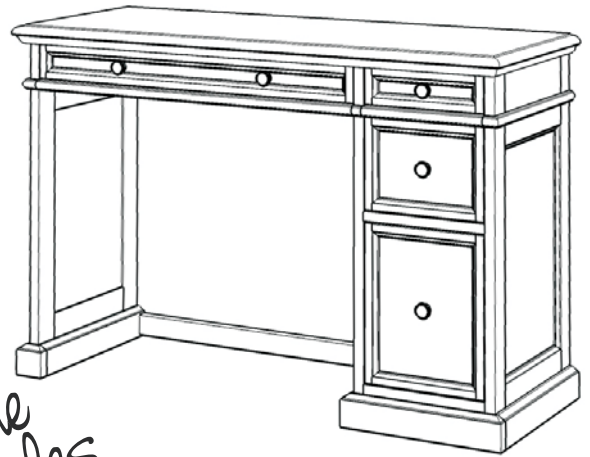
88 5002 79

Traditions Kitchen Desk

IMPORTANT NOTE

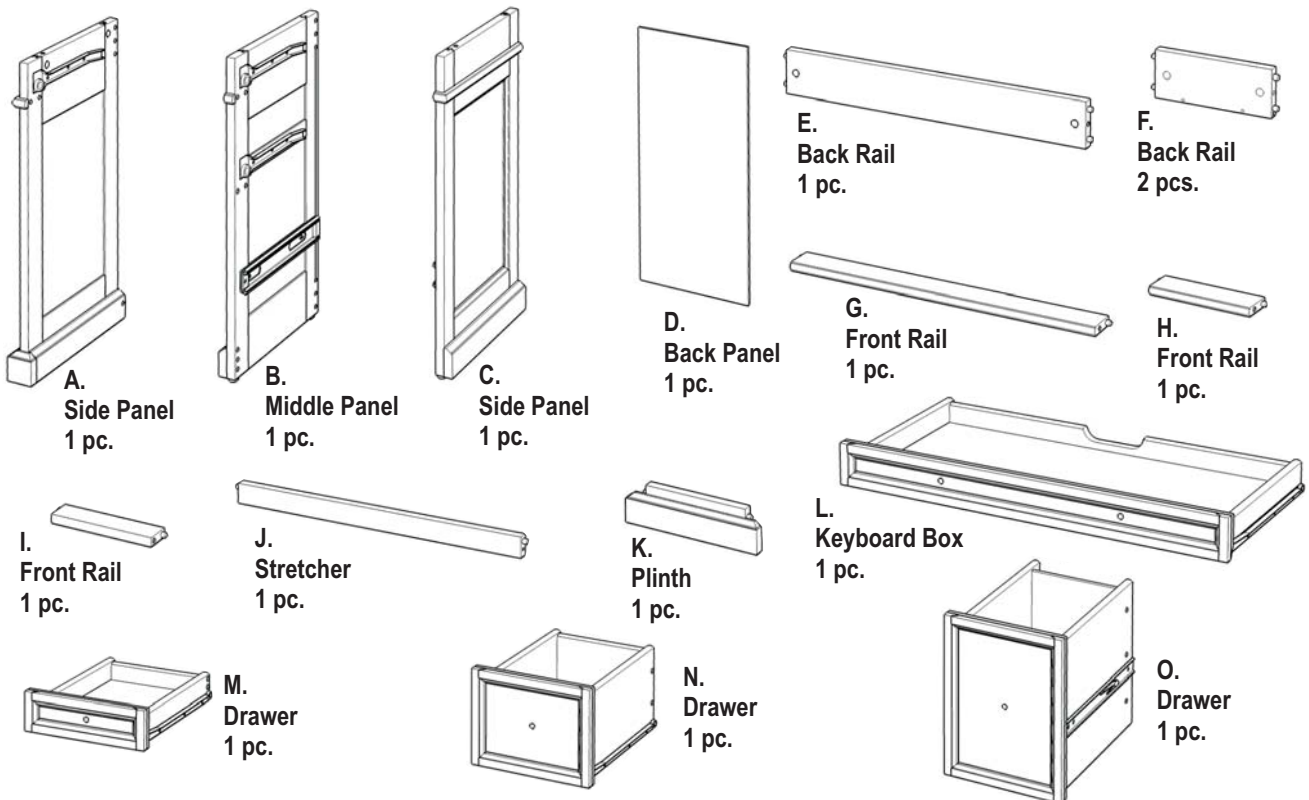
Carefully remove all the parts from the carton and put them individually on a soft cloth to prevent scratches or other damages occurring to the parts.

We have taken great care in the design of this product and request that you carefully and strictly follow our assembly instructions to ensure a completed product as it was designed.



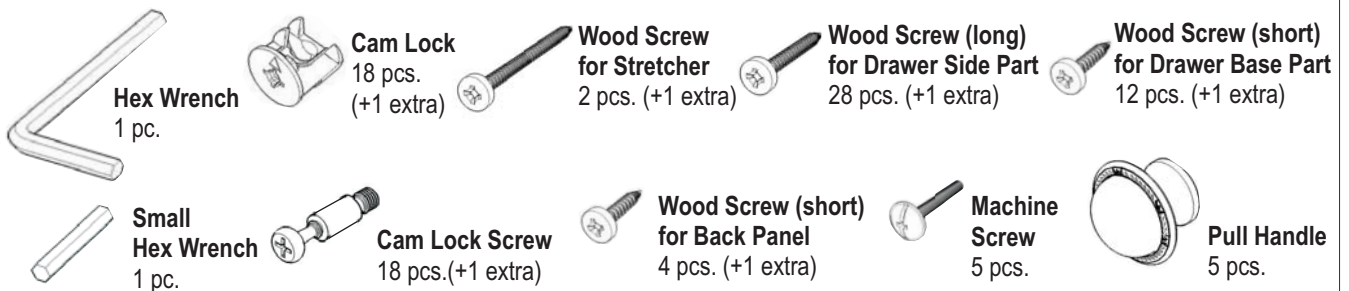
Home
Styles

Part List



(Drawer (M), (N) and (O) Knock-Down construction, please refer to the last page of these instructions for drawer assembly step)

Hardware List



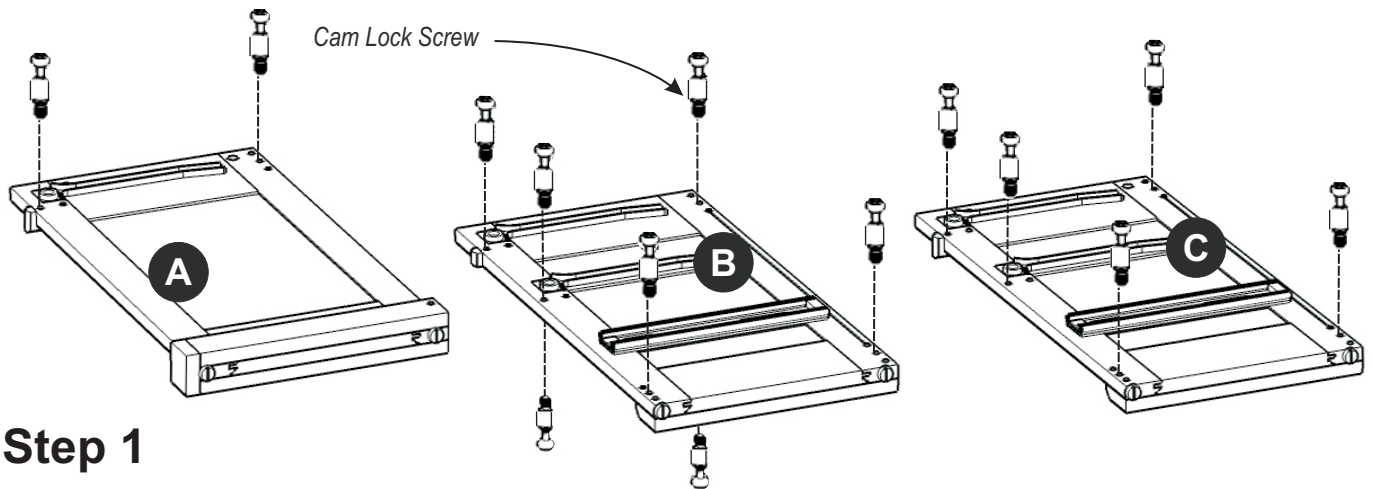
Tools required for assembly : **Phillips** screwdriver

Tools recommended for assembly :

Home Styles Consumer Assistance Line 888-680-7460 and 877-831-0319
servicedesk@homestyles-furniture.com

IMPORTANT

- * Do not tighten up all the screws until each part is properly assembled.
- * You should keep Hex Wrench and in a safe place as you may need to tighten up the Cam Locks in the future.
- * After assembly item must be level to work properly Use the included adjustable levelers to level.



Step 1

Put Cam Lock Screws into the pre-drilled holes of Side Panel (A), (C) and Middle Panel (B) and tighten. (see Figure 1)

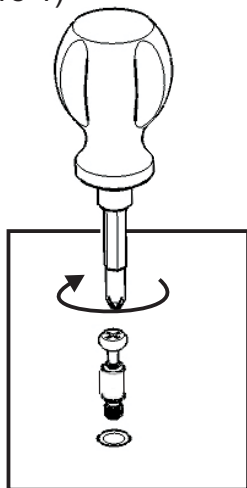


Figure 1

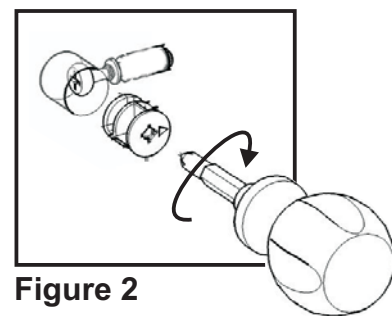


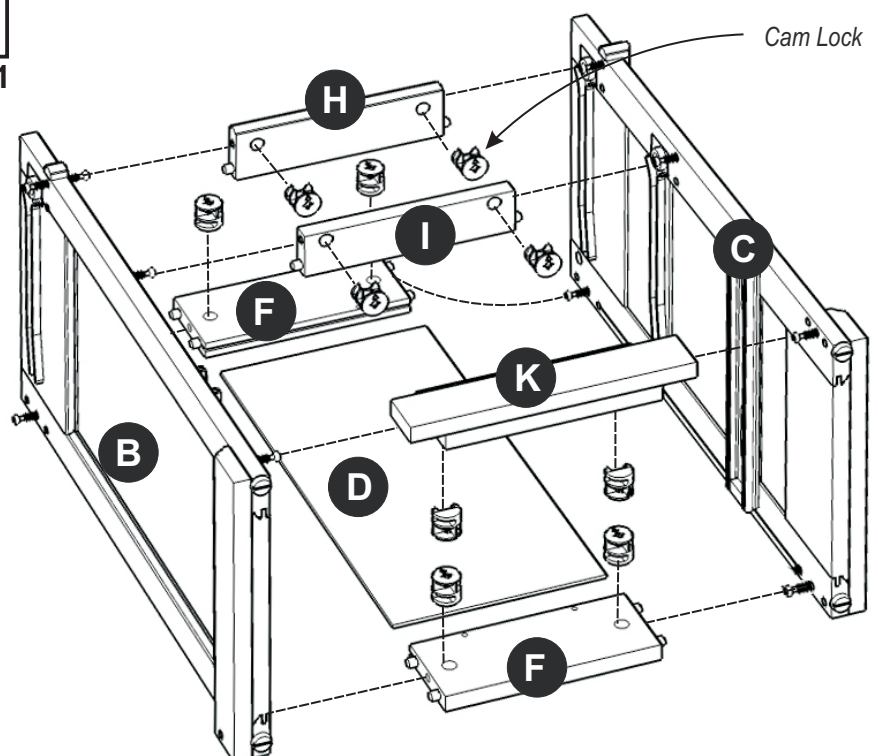
Figure 2

Step 2

Attach Back Rails (F) to Side Panel (C) with Cam Locks. (see Figure 2)
Slide Back Panel (D) into unit.

Attach Front Rail (H), (I) and Plinth (K) to unit with Cam Locks.

Attach Side Panel (B) to unit with Cam Locks.



Step 3

Attach Back Rail (E) and Front Rail (G) to unit with Cam Locks. (see Figure 2)

Attach Stretcher (J) to unit with Wood Screws for Stretcher. (see Figure 3)

Attach Side Panel (A) to unit with Cam Locks and Wood Screw for Stretcher.

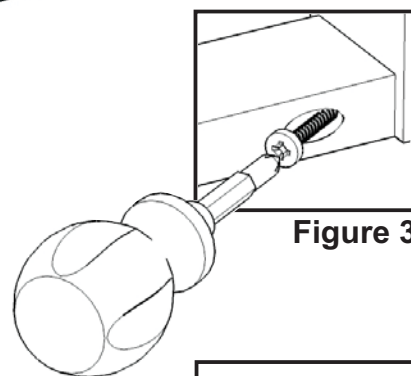
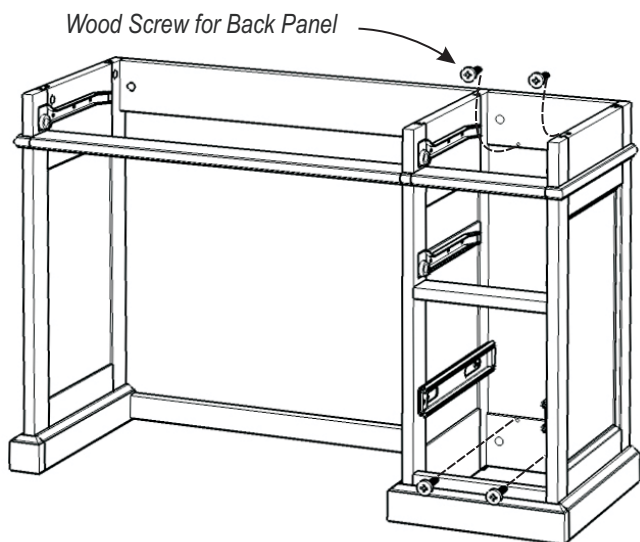
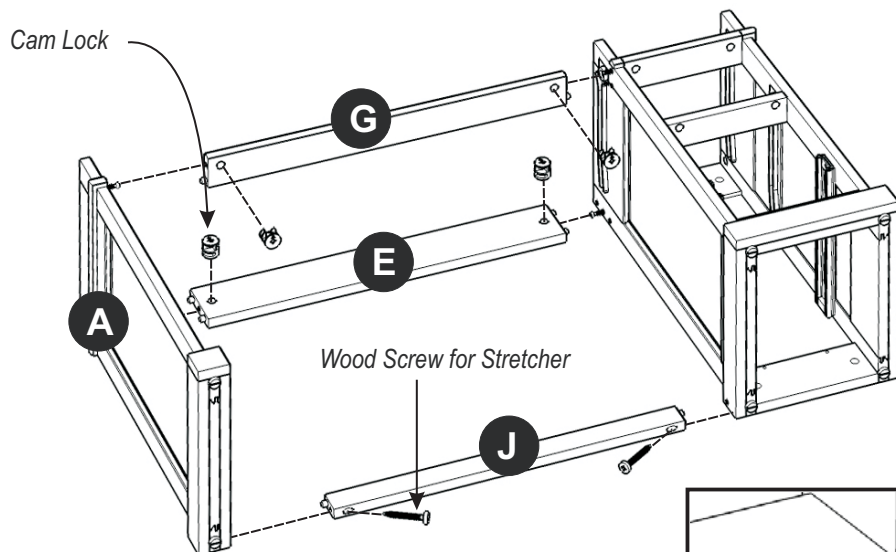


Figure 3

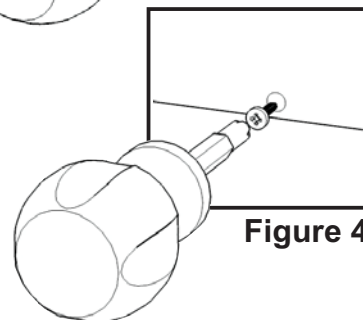
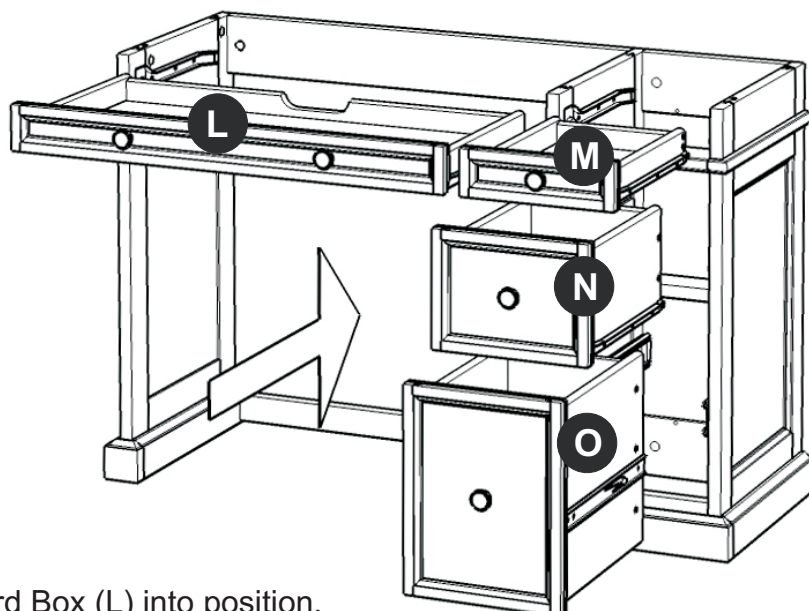


Figure 4

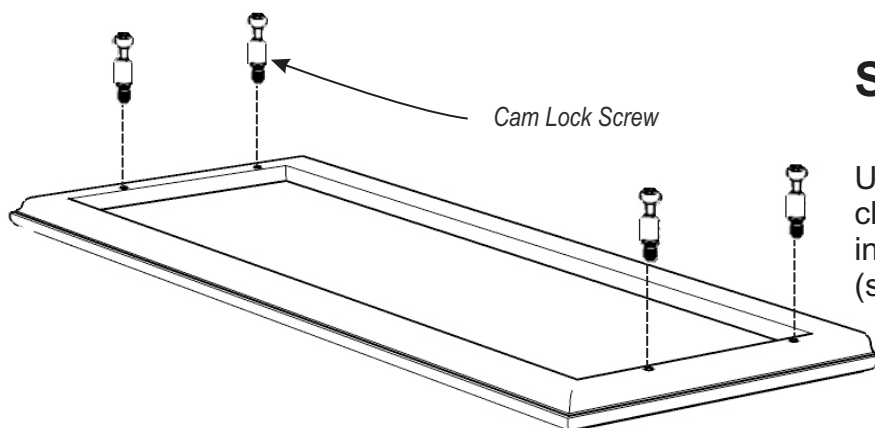
Step 4

Insert 4x Wood Screws for Back Panel into the back of unit, tighten up all the Screws. (see Figure 4)



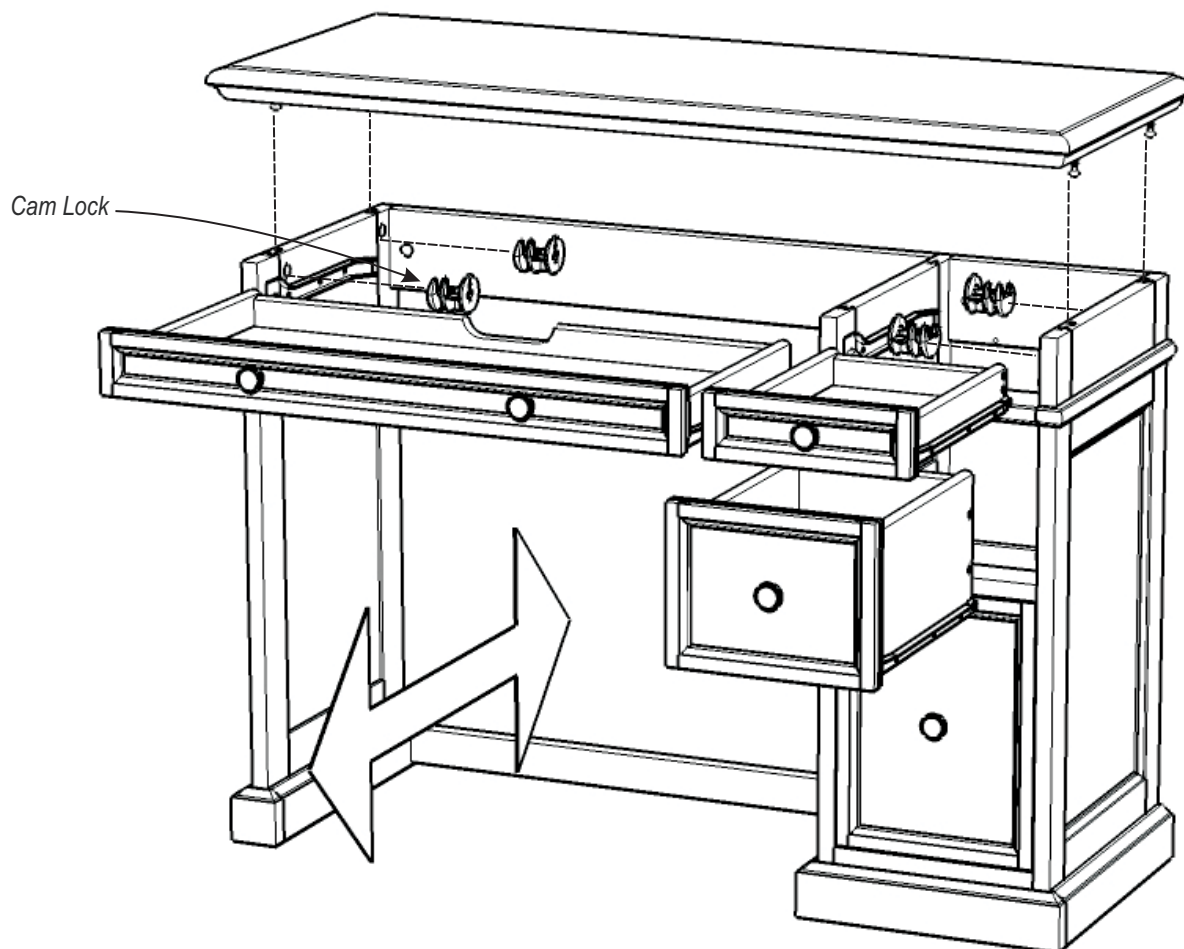
Step 5

Slide Drawer (O), (N), (M) and Keyboard Box (L) into position.



Step 6

Using the Top option that you have chosen, put the Cam Lock Screws into the pre-drilled holes of the Top. (see Figure 1)

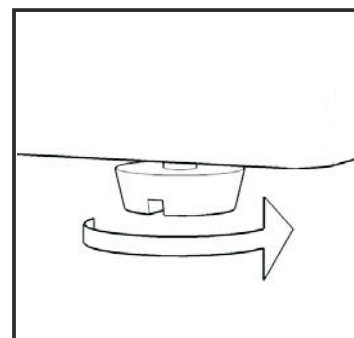


Step 7

Pull out the Drawers from unit.

Place Top onto the unit, using Cam Locks. (see figure 2)

Slide Drawers into place.



To level the unit, adjust the adjustable levelers on the bottom of legs.

Drawer (M)

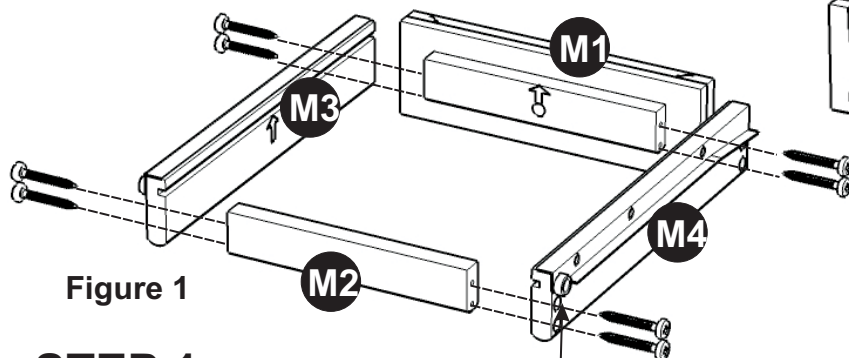


Figure 1

STEP 1

Attach M1 to M3 and M4, using a Phillips screwdriver and long wood screws (4X), tighten halfway.

Attach M2 to M3 and M4 using long wood screws (4X), tighten halfway. (see Figure 1)

MAKE SURE ROLLER IS ON THE BACK

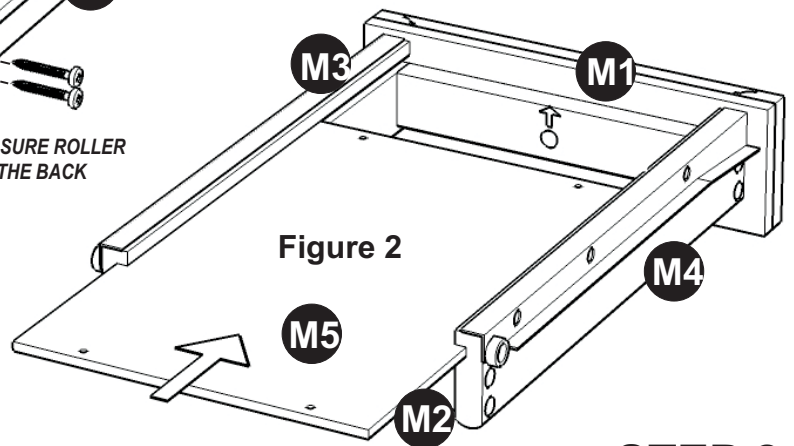


Figure 2

STEP 2

Slide M5 into the grooves in M3 and M4. Be sure to push M5 all the way forward so it meets M1. (see Figure 2)

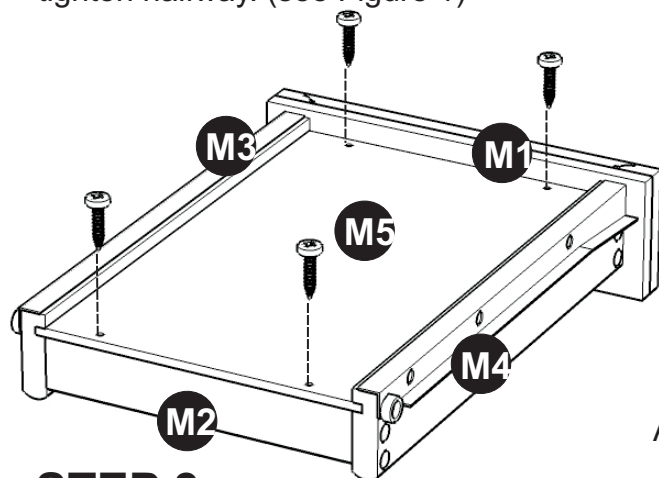


Figure 3

STEP 3

Insert short wood screws (4X) into the pre-drilled holes in M5, tighten screws. (see Figure 3)

STEP 4

Attach hardware pulls with machine screws. (see Figure 4)

Tighten all screws used in drawer assembly.

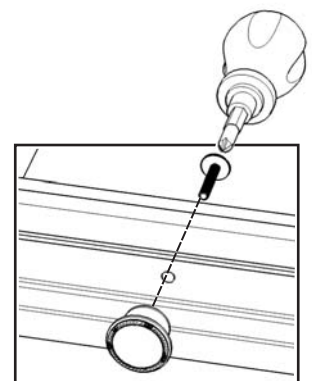
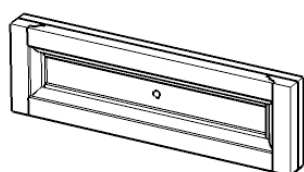
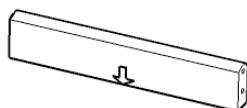


Figure 4

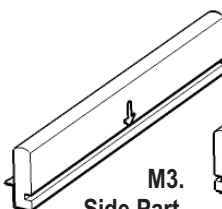
Part List



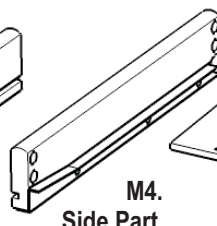
M1.
Front Part
1 pc.



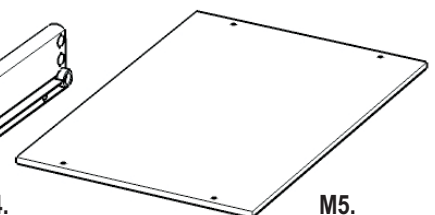
M2.
Back Part
1 pc.



M3.
Side Part
1 pc.



M4.
Side Part
1 pc.



M5.
Base Part
1 pc.

Drawer (N)

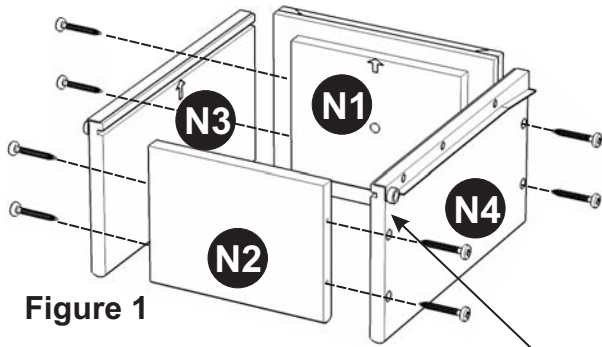


Figure 1

STEP 1

Attach N1 to N3 and N4, using a Phillips screwdriver and long wood screws (4X), tighten halfway.

Attach N2 to N3 and N4 using long wood screws (4X), tighten halfway. (see Figure 1)

MAKE SURE ROLLER IS ON THE BACK

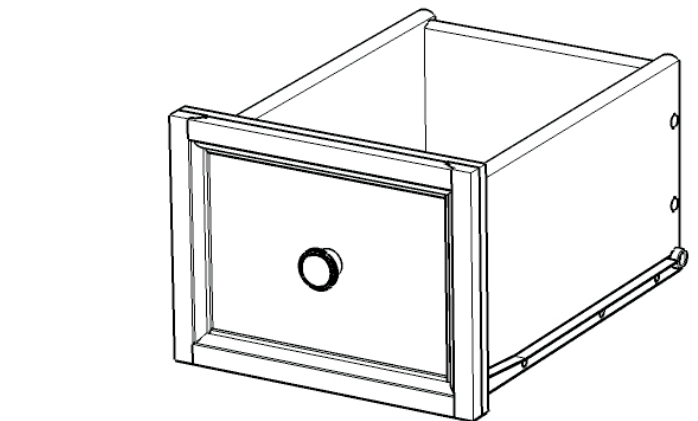
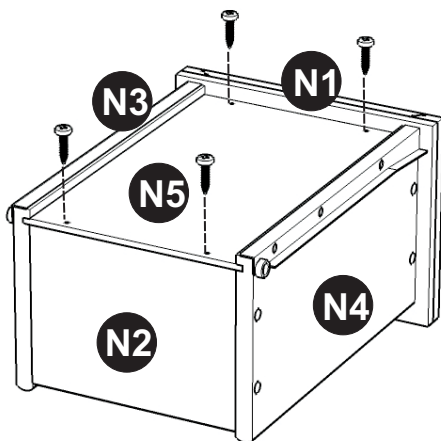


Figure 2

STEP 2

Slide N5 into the grooves in N3 and N4. Be sure to push N5 all the way forward so it meets N1. (see Figure 2)



STEP 3

Figure 3

Insert short wood screws (4X) into the pre-drilled holes in N5, tighten screws. (see Figure 3)

STEP 4

Attach hardware pulls with machine screws. (see Figure 4)

Tighten all screws used in drawer assembly.

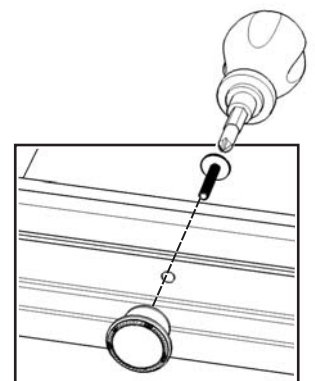
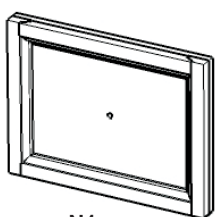
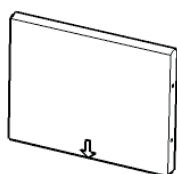


Figure 4

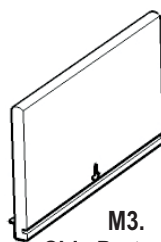
Part List



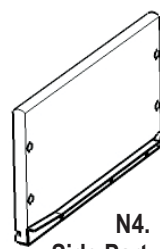
N1.
Front Part
1 pc.



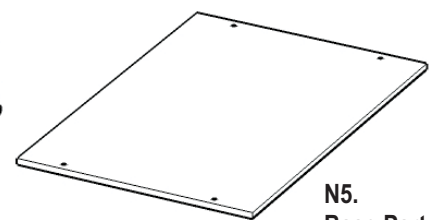
N2.
Back Part
1 pc.



M3.
Side Part
1 pc.



N4.
Side Part
1 pc.



N5.
Base Part
1 pc.

Drawer (O)

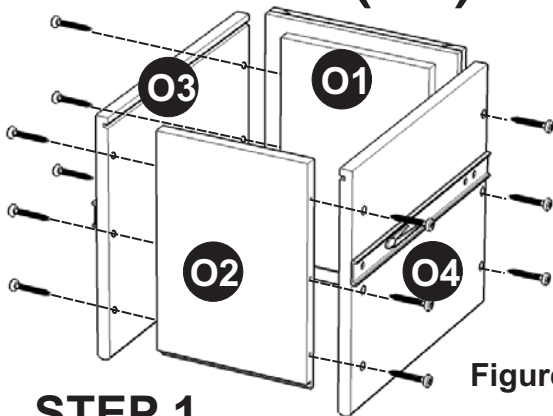


Figure 1

STEP 1

Attach O1 to O3 and O4, using a Phillips screwdriver and long wood screws (6X), tighten halfway.

Attach O2 to O3 and O4 using long wood screws (6X), tighten halfway. (see Figure 1)

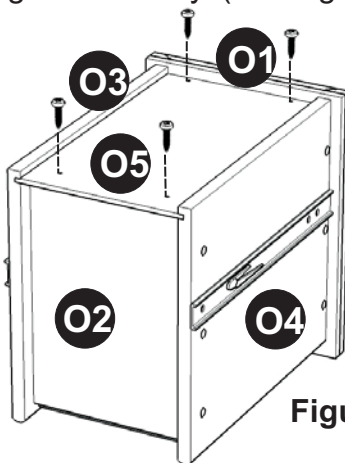


Figure 3

STEP 3

Insert short wood screws (4X) into the pre-drilled holes in O5, tighten screws. (see Figure 3)

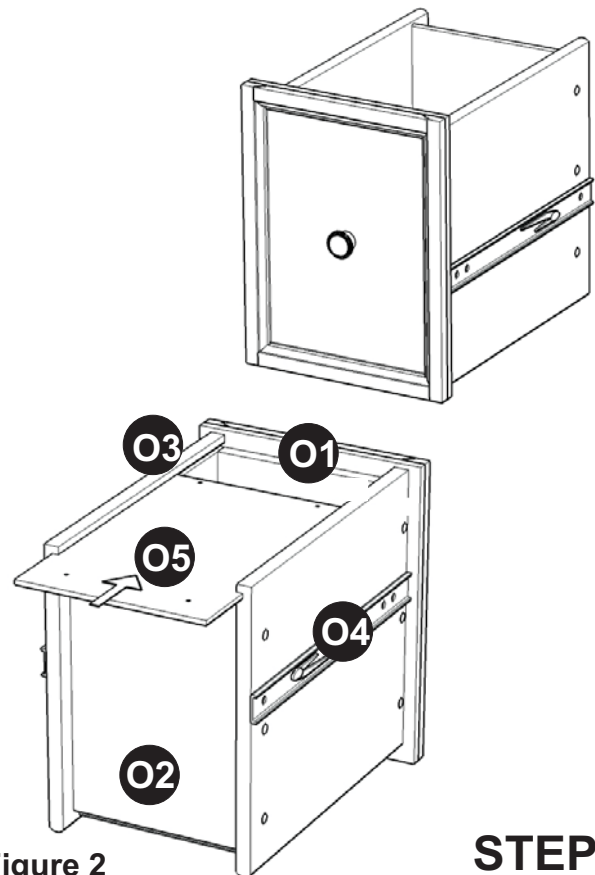


Figure 2

STEP 2

Slide O5 into the grooves in O3 and O4. Be sure to push O5 all the way forward so it meets O1. (see Figure 2)

STEP 4

Attach hardware pulls with machine screws. (see Figure 4)

Tighten all screws used in drawer assembly.

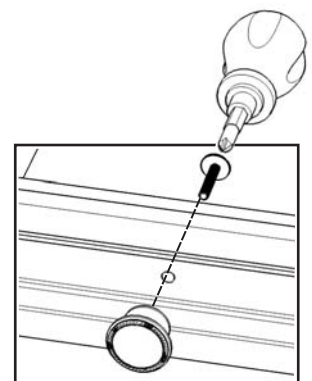


Figure 4

Part List

