

88 5006 941

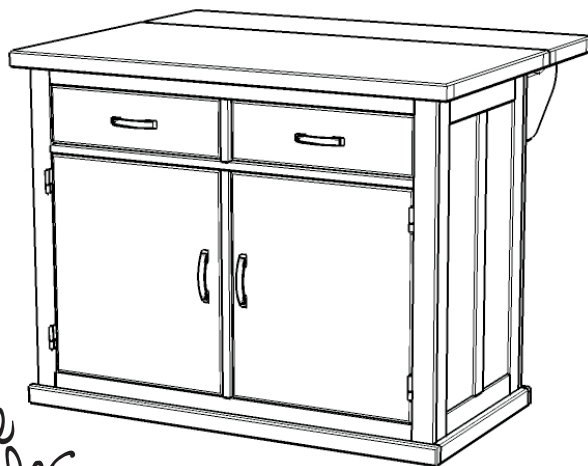
Central Park Kitchen Island (Natural Cherry)

IMPORTANT NOTE

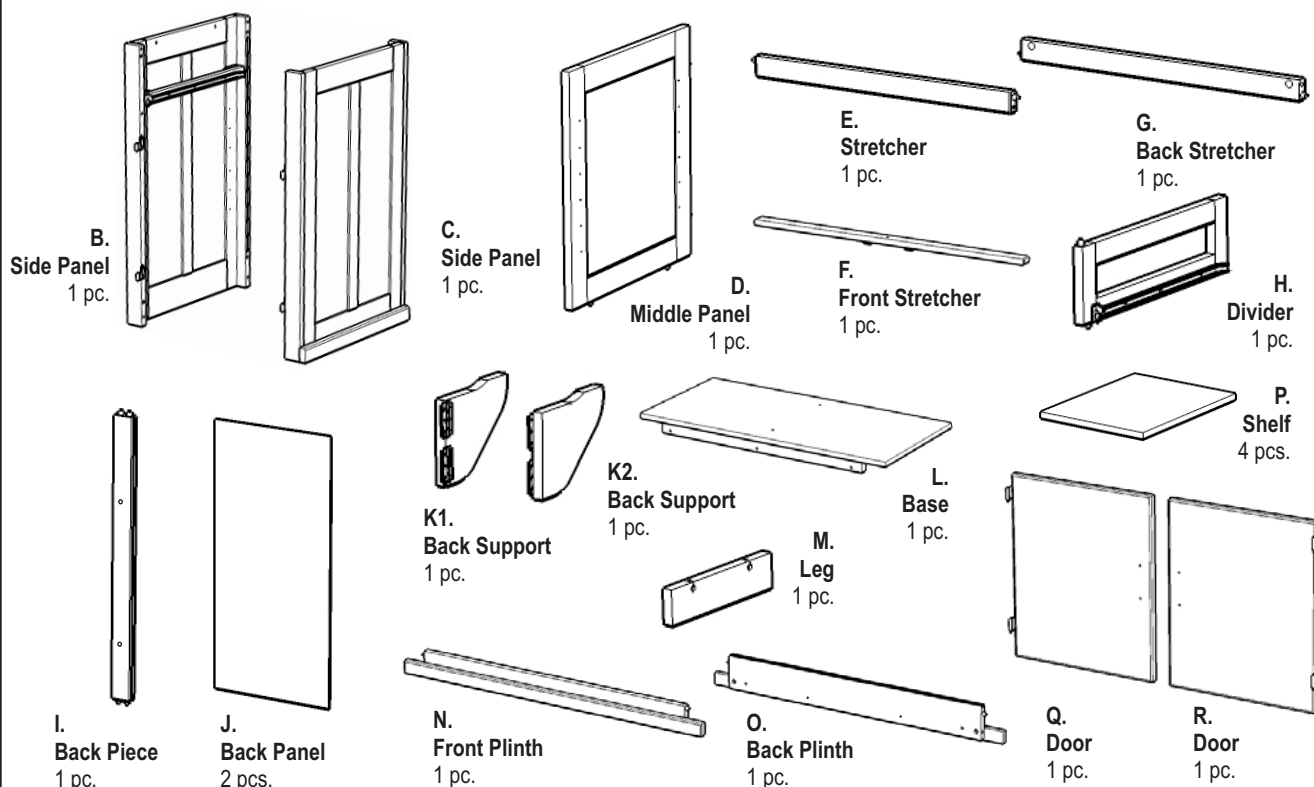
Carefully remove all the parts from the carton and put them individually on a soft cloth to prevent scratches or other damages occurring to the wood parts.

We have taken great care in the design of this product and request that you carefully and strictly follow our assembly instructions to ensure a completed product as it was designed.

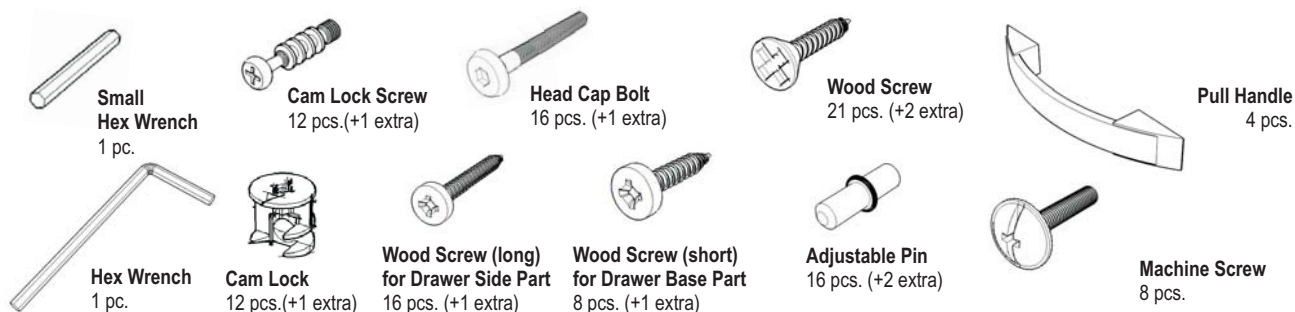
Home
Styles



PART LIST



HARDWARE LIST



For assembly see instructions in carton 88 5006 942

Tools required for assembly : Phillips screwdriver

Home Styles Consumer Assistance Line 888-680-7460 and 877-831-0319
servicedesk@homestyles-furniture.com

88 5006 942

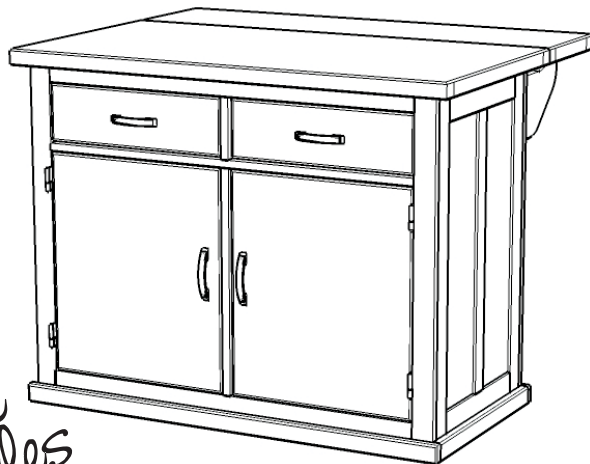
Central Park Kitchen Island (Natural Cherry)

IMPORTANT NOTE

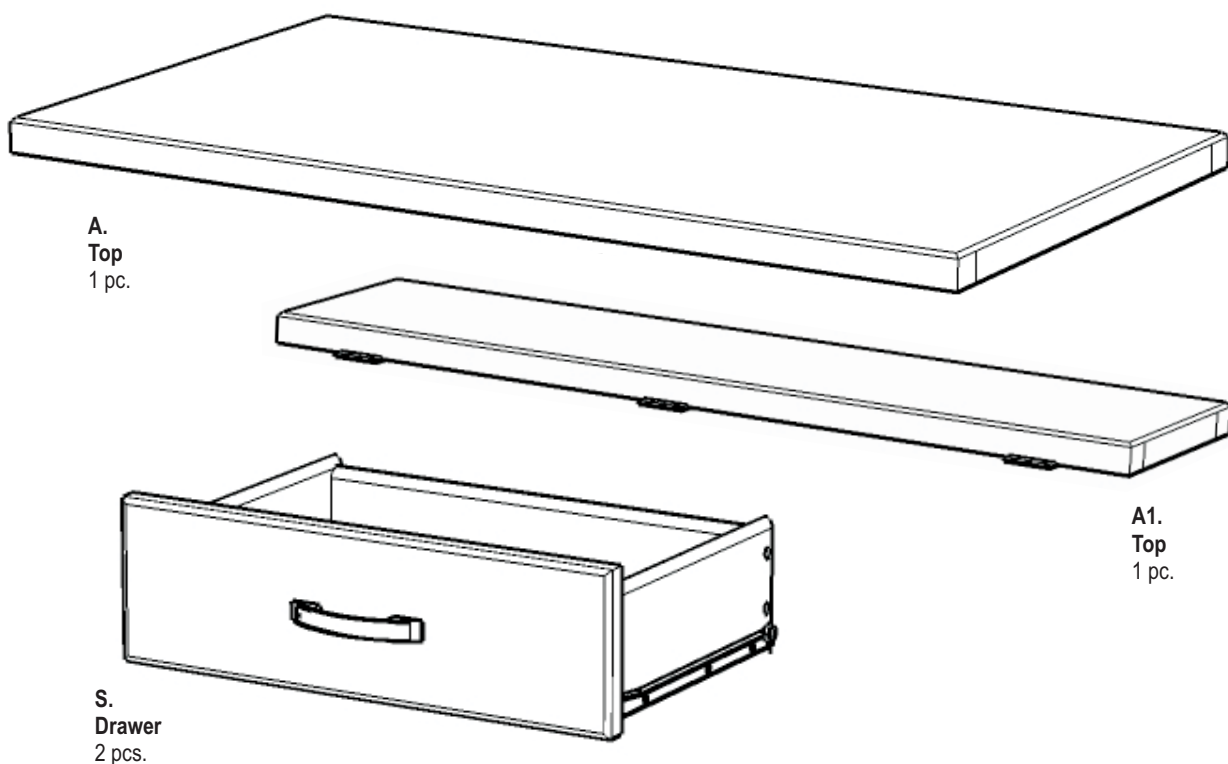
Carefully remove all the parts from the carton and put them individually on a soft cloth to prevent scratches or other damages occurring to the wood parts.

We have taken great care in the design of this product and request that you carefully and strictly follow our assembly instructions to ensure a completed product as it was designed.

*Home
Styles*



Part List



Also need the following from carton 88 5006 941 :

Part List in carton 88 5006 941

Side Panel (B)	1 pc.
Side Panel (C)	1 pc.
Middle Panel (D)	1 pc.
Stretcher (E)	1 pc.
Front Stretcher (F)	1 pc.
Back Stretcher (G)	1 pc.
Divider (H)	1 pc.
Back Piece (I)	1 pc.

Part List in carton 88 5006 941

Back Panel (J)	2 pcs.
Back Support (K1)	1 pc.
Back Support (K2)	1 pc.
Base (L)	1 pc.
Leg (M)	1 pc.
Front Plinth (N)	1 pc.
Back Plinth (O)	1 pc.
Shelf (P)	4 pcs.
Door (Q)	1 pc.
Door (R)	1 pc.

Hardware List in carton 88 5006 941

Small Hex Wrench	1 pc.
Hex Wrench	1 pc.
Cam Lock Screw	13 pcs.
Cam Lock	13 pcs.
Head Cap Bolt	17 pcs.
Wood Screw (long)	17 pcs.
Wood Screw (short)	9 pcs.
Wood Screw	23 pcs.
Adjustable Pin	18 pcs.
Pull Handle	4 pcs.
Machine Screw	8 pcs.

Tools required for assembly : **Phillips** screwdriver

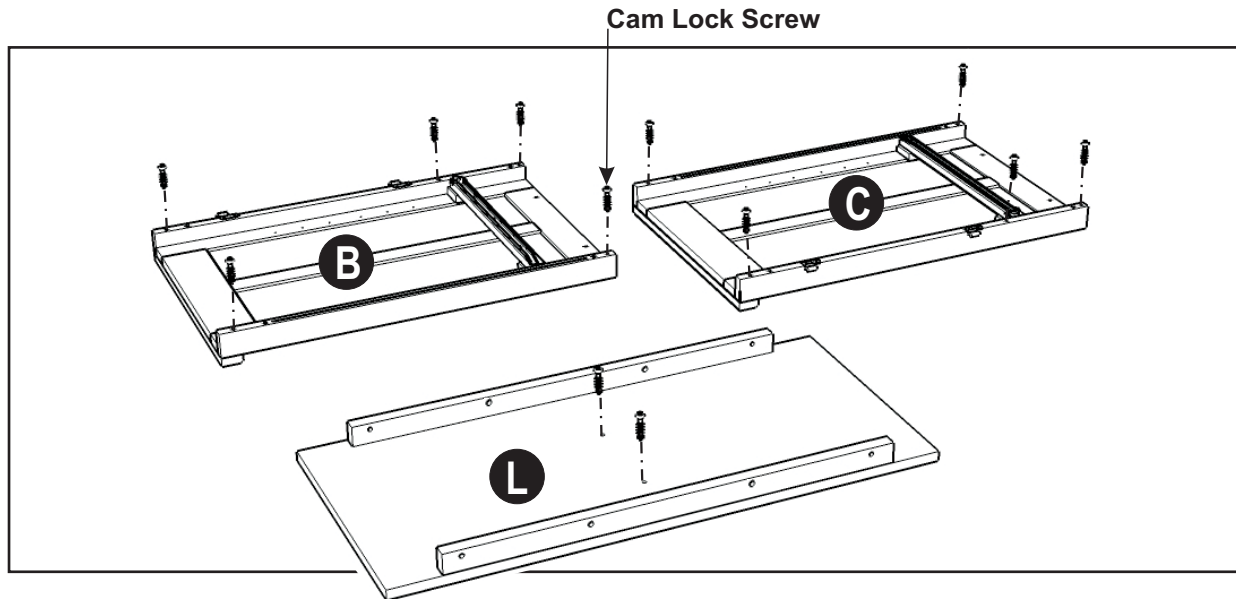
Home Styles Consumer Assistance Line 888-680-7460 and 877-831-0319
servicedesk@homestyles-furniture.com

Assembly Instructions 2/5

IMPORTANT

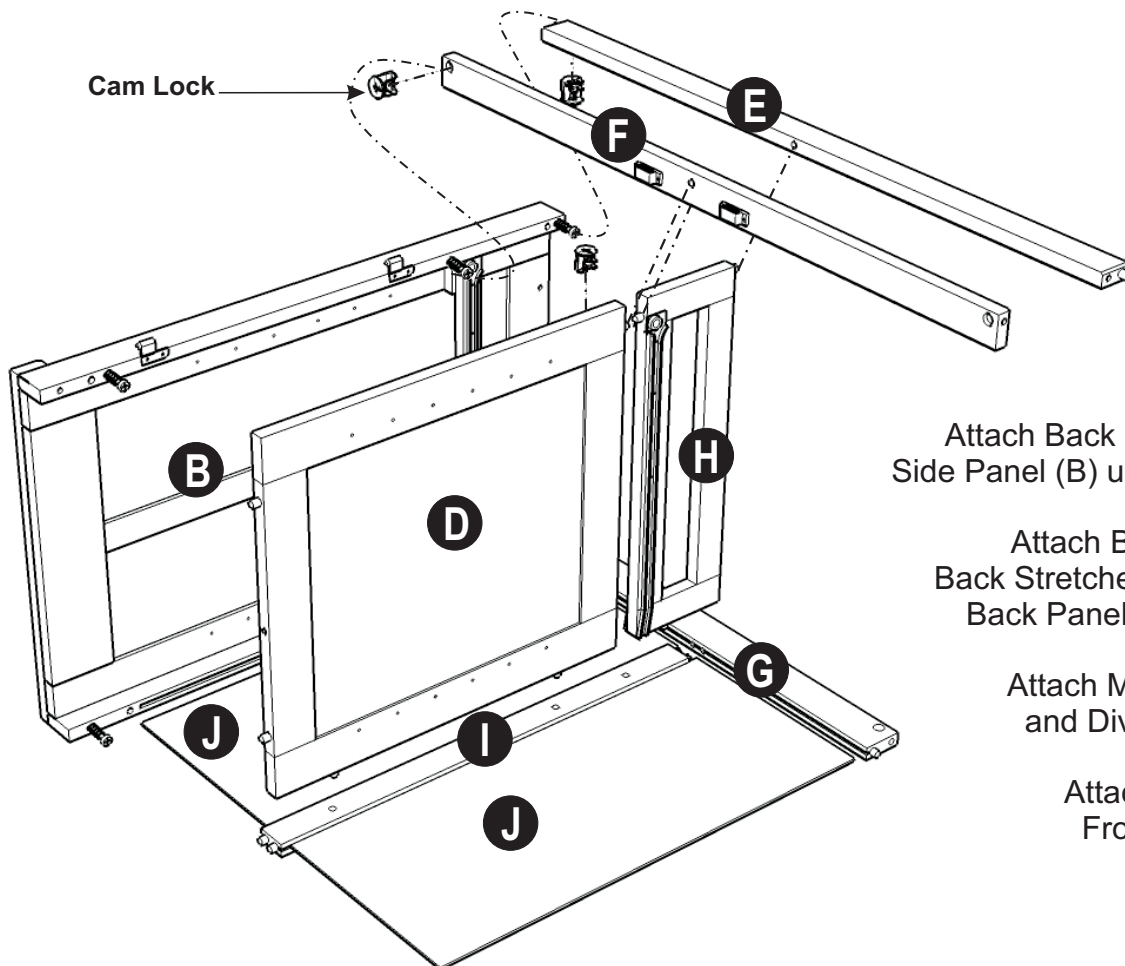
Do not tighten up all the screws until each part is properly assembled.

You should keep Hex Wrench in a safe place as you may need to tighten up the Head Cap Bolts in the future.



STEP 1

Put Cam Lock Screws into the pre-drilled holes of Side Panel (B),(C) Base (L) and tighten.



STEP 2

Attach Back Stretcher (G) to Side Panel (B) using Cam Lock.

Attach Back Piece (I) to Back Stretcher (G) then slide Back Panels (J) into place.

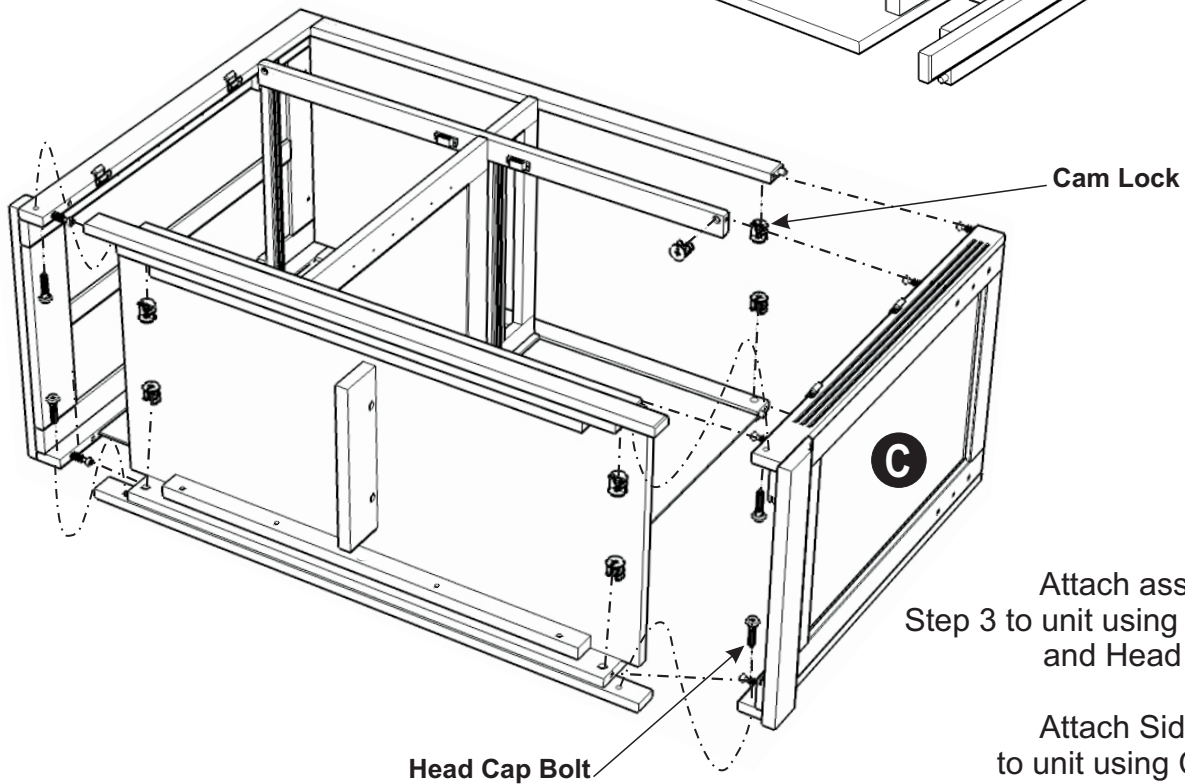
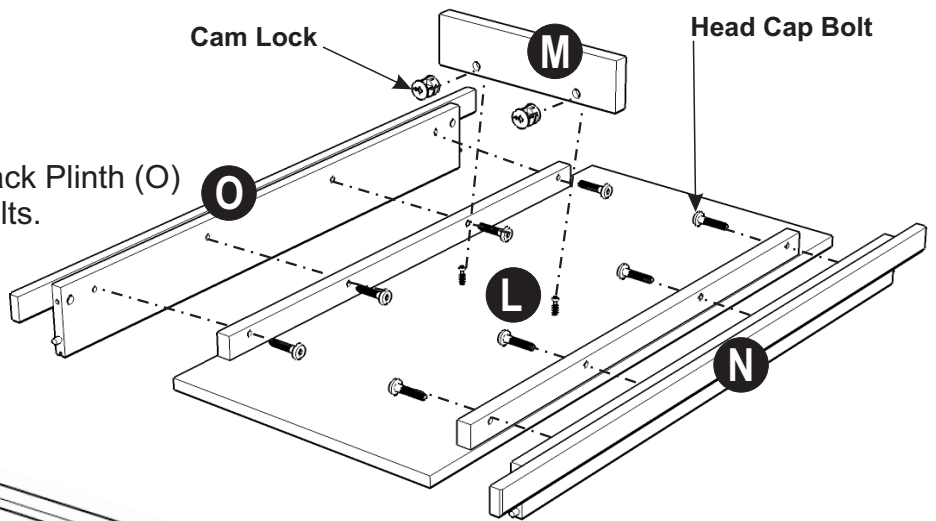
Attach Middle Panel (D) and Divider (H) to unit.

Attach Stretcher (E) Front Stretcher (F) to unit using Cam Locks.

STEP 3

Attach Front Plinth (N) and Back Plinth (O) to Base (L) with Head Cap Bolts.

Attach Leg (M) to unit using Cam Locks.



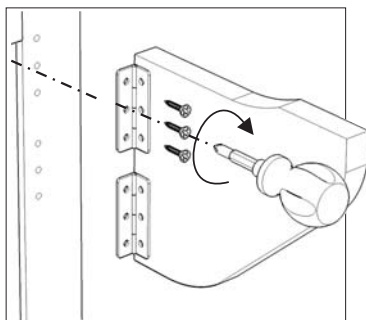
STEP 4

Attach assembly from Step 3 to unit using Cam Locks and Head Cap Bolts.

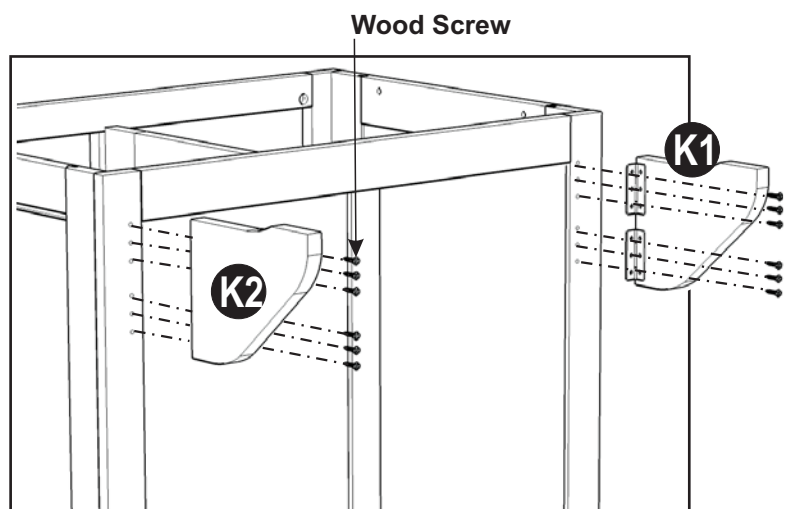
Attach Side Panel (C) to unit using Cam Locks.

STEP 5

Attach Back Support (K1) and (K2) to unit with Wood Screws into pre-drilled holes. (see Figure 1)



(Figure 1)

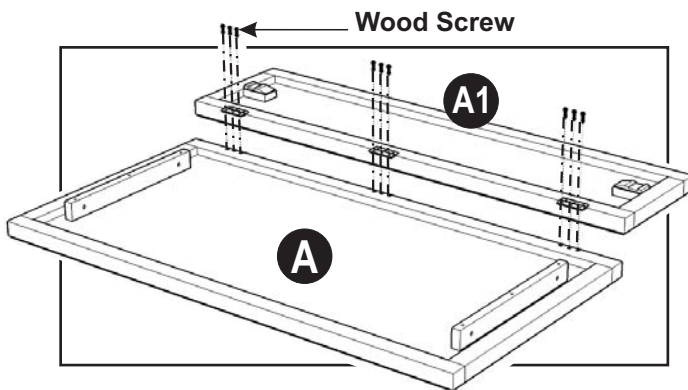
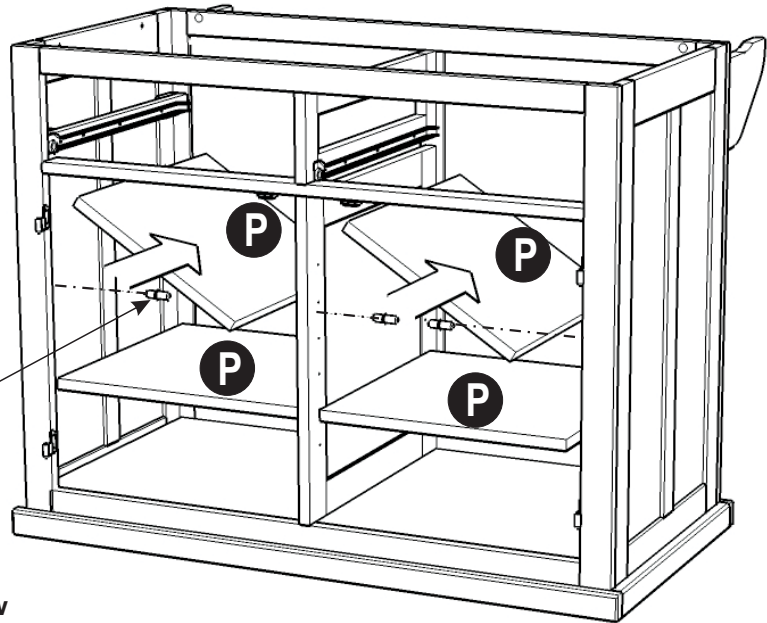


STEP 6

Insert Adjustable Pins into the side panels at the desired level.

Slide Shelf (P) into place.

Adjustable Pin



STEP 7

Attach Top (A1) to Top (A) with Wood Screws into pre-drilled holes.

STEP 8

Place Top onto the unit with Head Cap Bolts.

Attach Pull Handles to Doors (Q) and (R) using Machine Screws. (see Figure 2)

Attach the Doors (Q) and (R) to Side Panel (B) and (C), slide the door lift hinges into the side panel lift hinges. (see Figure 3)

Slide the Drawers (S) into place.

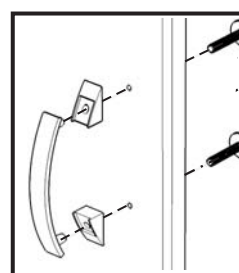
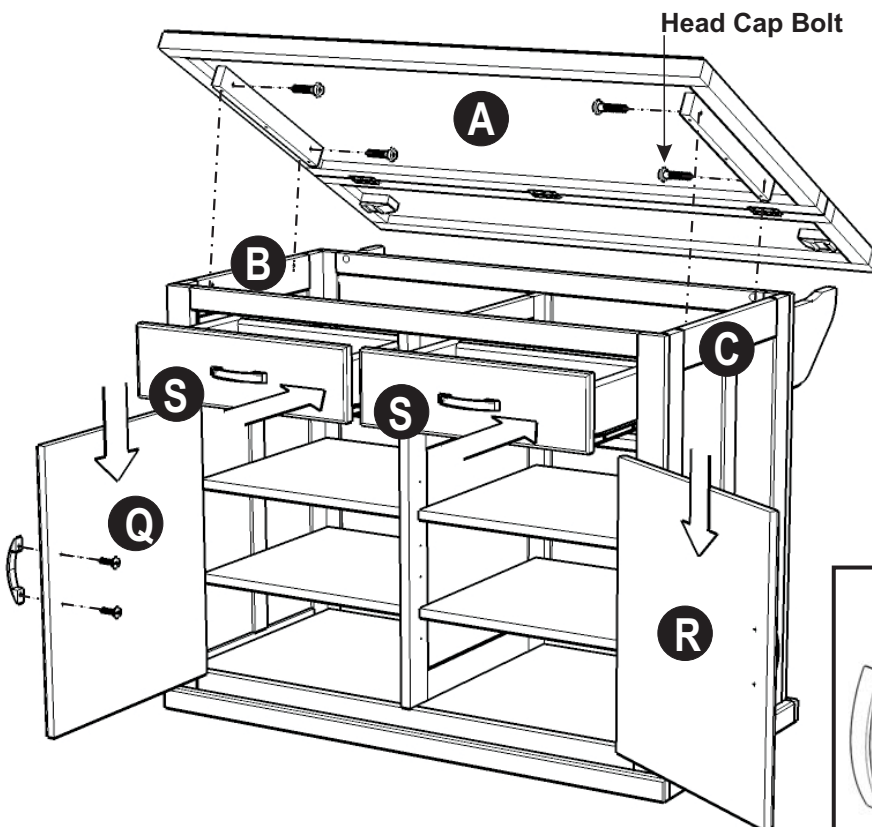


Figure 2

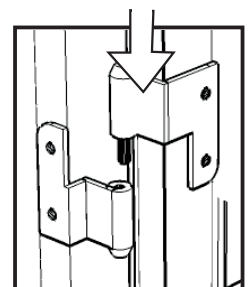


Figure 3

Drawer (S)

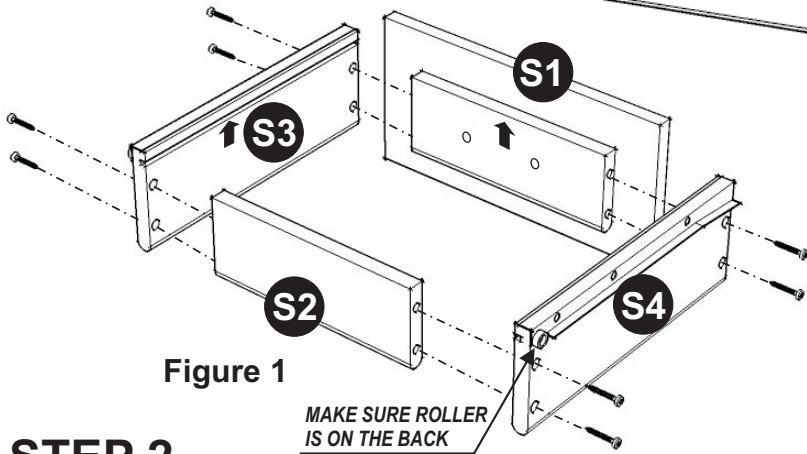
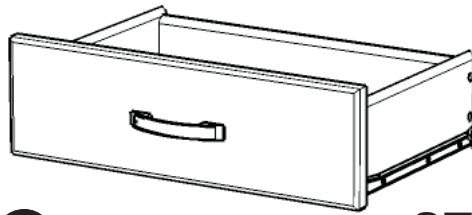


Figure 1

STEP 1

Attach S1 to S3 and S4, using a Phillips screwdriver and long wood screws (4X), tighten halfway.

Attach S2 to S3 and S4 using long wood screws (4X), tighten halfway. (see Figure 1)

STEP 2

Slide S5 into the grooves in S3 and S4. Be sure to push S5 all the way forward to it meets S1. (see Figure 2)

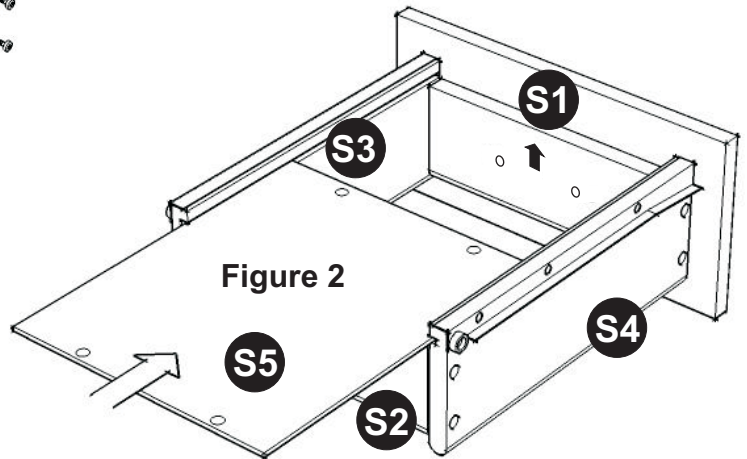


Figure 2

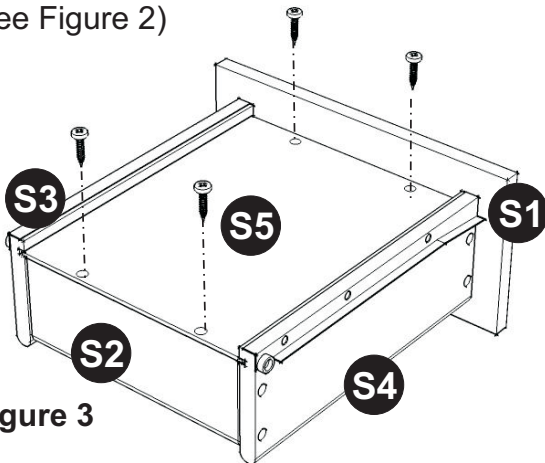


Figure 3

STEP 3

Insert short wood screws (4X) into the pre-drilled holes in S5, tighten screws. (see Figure 3)

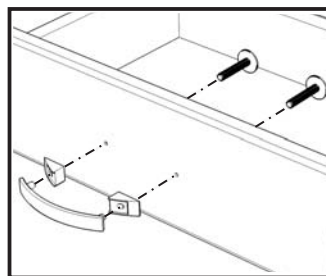


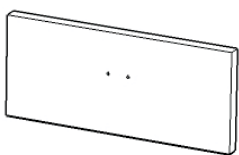
Figure 4

STEP 4

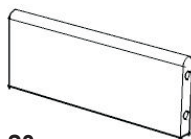
Attach hardware pulls with machine screws. (see Figure 4)

Tighten all screws used in drawer assembly.

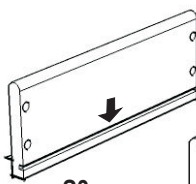
Part List



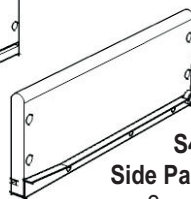
S1.
Front Part
2 pcs.



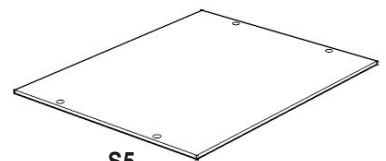
S2.
Back Part
2 pcs.



S3.
Side Part
2 pcs.



S4.
Side Part
2 pcs.



S5.
Base Part
2 pcs.