

88 5009 943

Monarch Kitchen Island with Black Granite Insert Top (Oak Finish)

IMPORTANT NOTE

Carefully remove all the parts from the carton and put them individually on a soft cloth to prevent scratches or other damages occurring to the wood parts.

We have taken great care in the design of this product and request that you carefully and strictly follow our assembly instructions to ensure a completed product as it was designed.

*Home
Styles*



Part List



A.
Top Unit
1 pc.

For assembly see instructions in carton 88 5008 941

Tools required for assembly : Phillips screwdriver

Home Styles Consumer Assistance Line 888-680-7460 and 877-831-0319
servicedesk@homestyles-furniture.com

HOW TO UNPACK THE GRANITE TOP

IMPORTANT

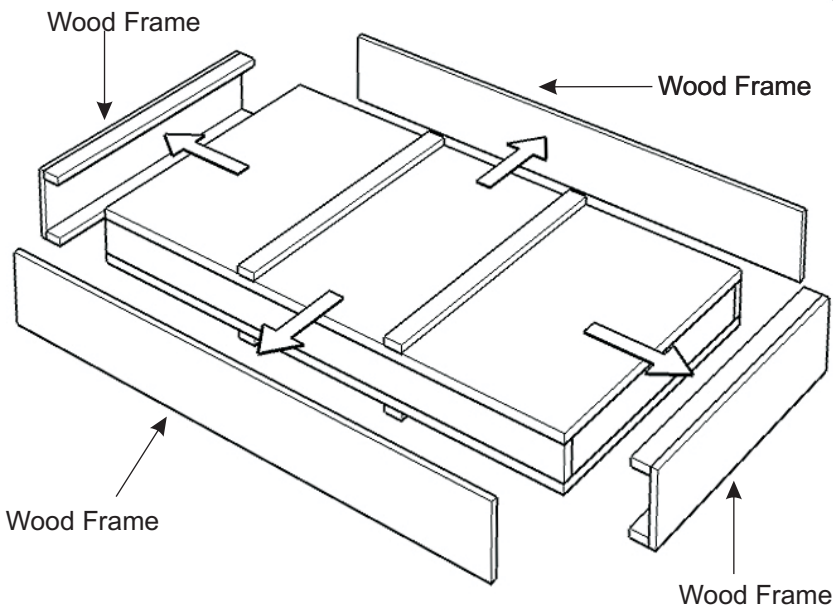
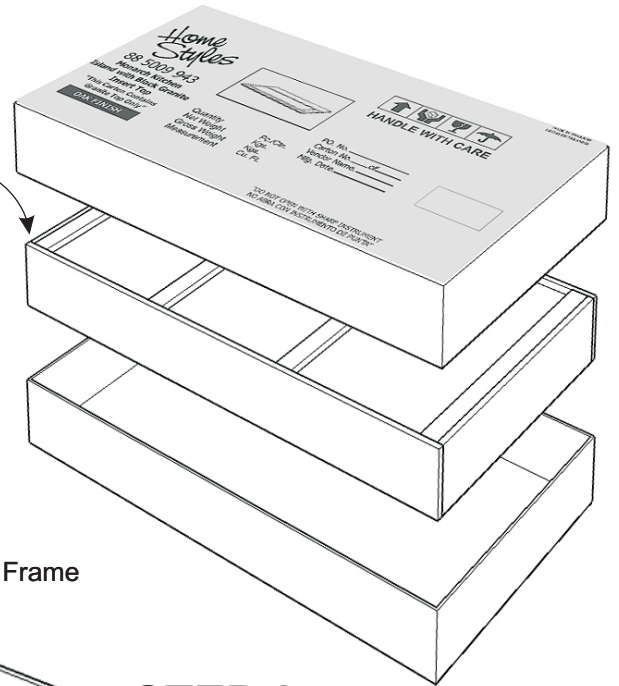
Please follow these step to unpack the granite top.

STEP 1

Open carton.

Remove wood crate and place it on the floor.

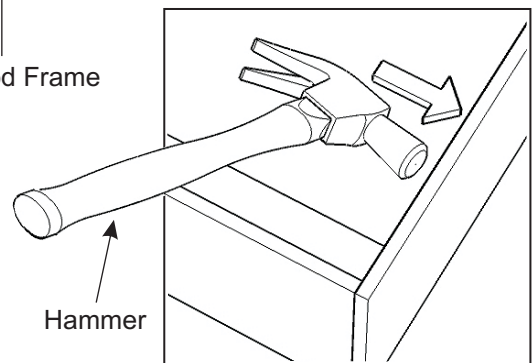
Wood Crate



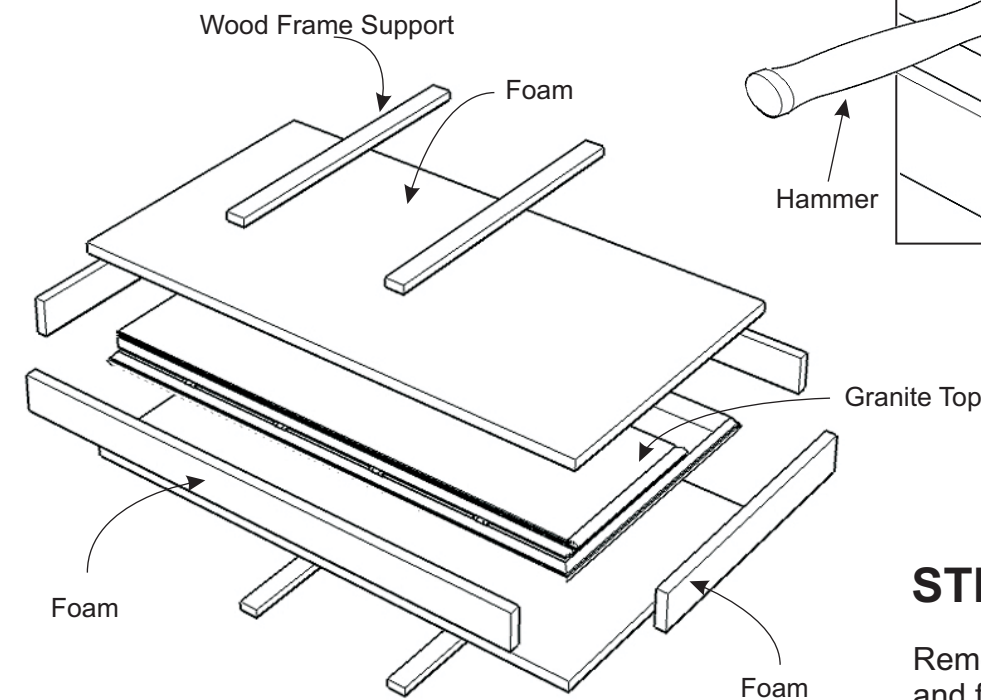
STEP 2

Use a hammer to knock out the wood framing. (see Figure 1)

NOTE : BE CAREFUL AND DO NOT HIT THE GRANITE WITH THE HAMMER.



(Figure 1)



STEP 3

Remove wood frame supports and foam.