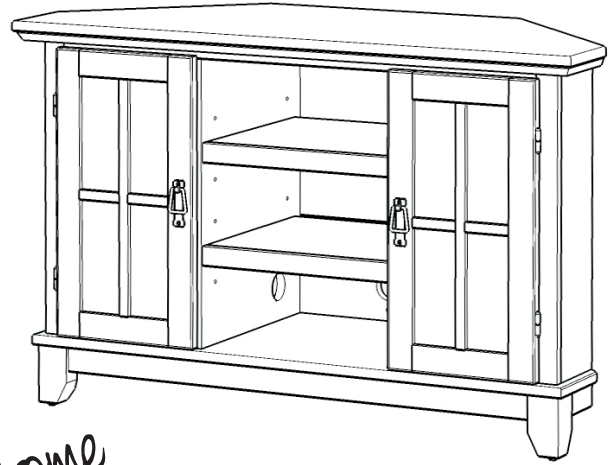


**88 5180 07**

**Art & Crafts  
Corner Entertainment**



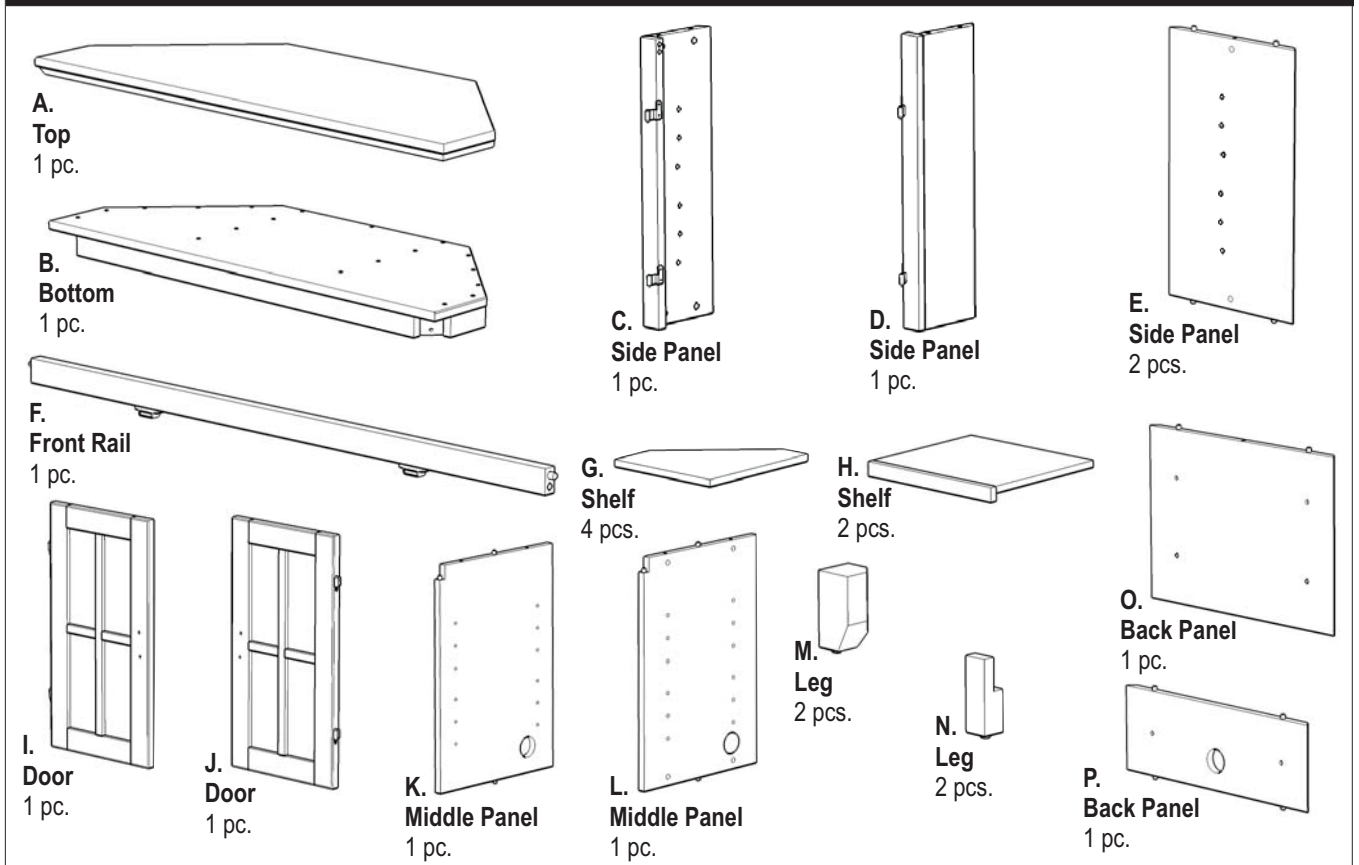
*Home  
Styles*

**IMPORTANT NOTE**

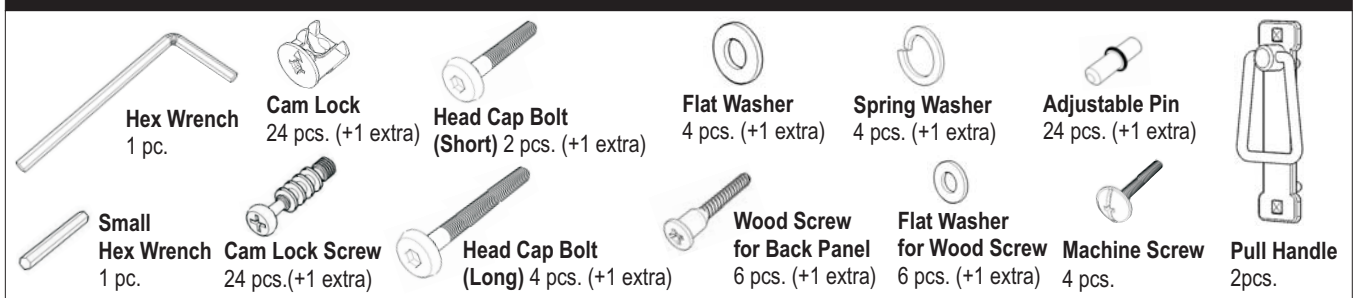
Carefully remove all the parts from the carton and put them individually on a soft cloth to prevent scratches or other damages occurring to the parts.

We have taken great care in the design of this product and request that you carefully and strictly follow our assembly instructions to ensure a completed product as it was designed.

**Part List**



**Hardware List**



**Tools required for assembly :** Phillips screwdriver

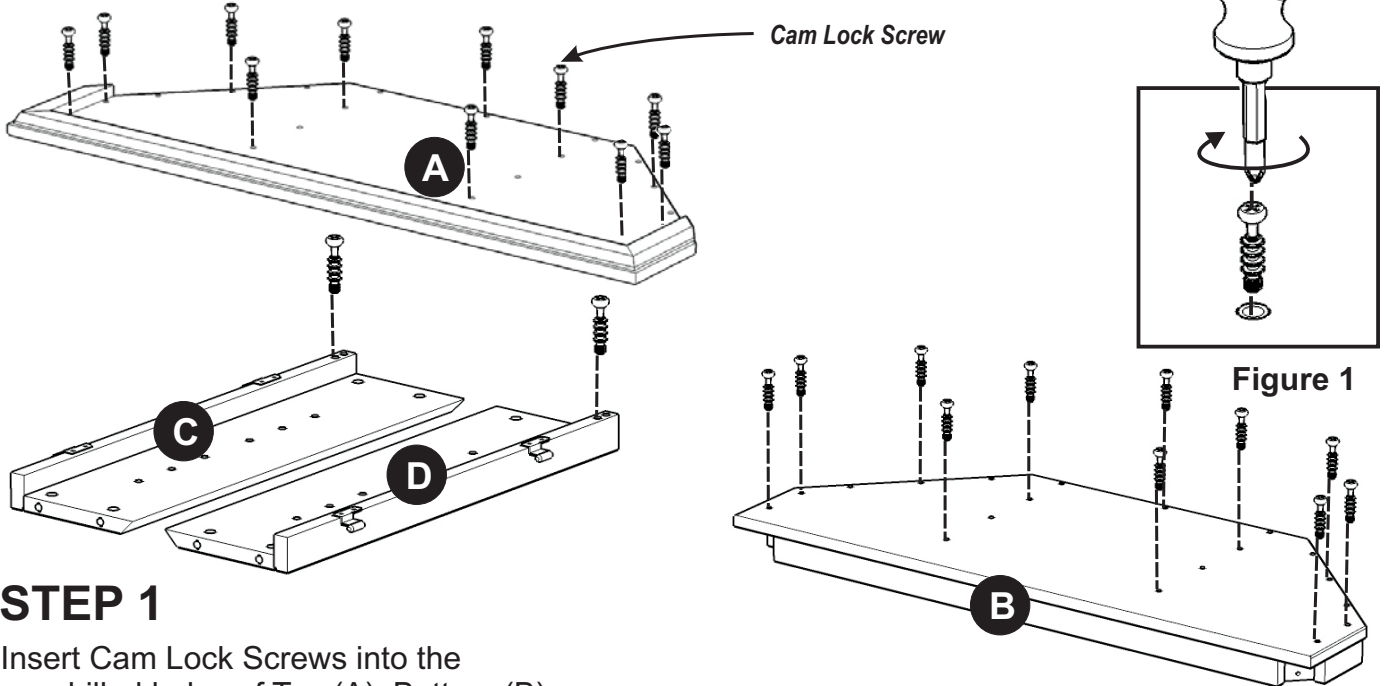
**Tools recommended for assembly :** Level

**Home Styles Consumer Assistance Line 888-680-7460 and 877-831-0319  
servicedesk@homestyles-furniture.com**

# Assembly Instructions 2/4

## IMPORTANT

- \* Do not tighten up all the screws until each part is properly assembled.
- \* You should keep Hex Wrench in a safe place as you may need to tighten up the Head Cap Bolts in the future.
- \* After assembly item must be level to work properly. Use the included adjustable levelers to level.



## STEP 1

Insert Cam Lock Screws into the pre-drilled holes of Top (A), Bottom (B) Side Panel (C), (D). (See figure 1)

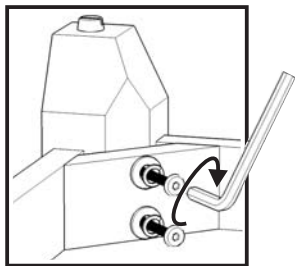


Figure 2

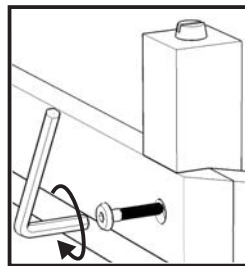
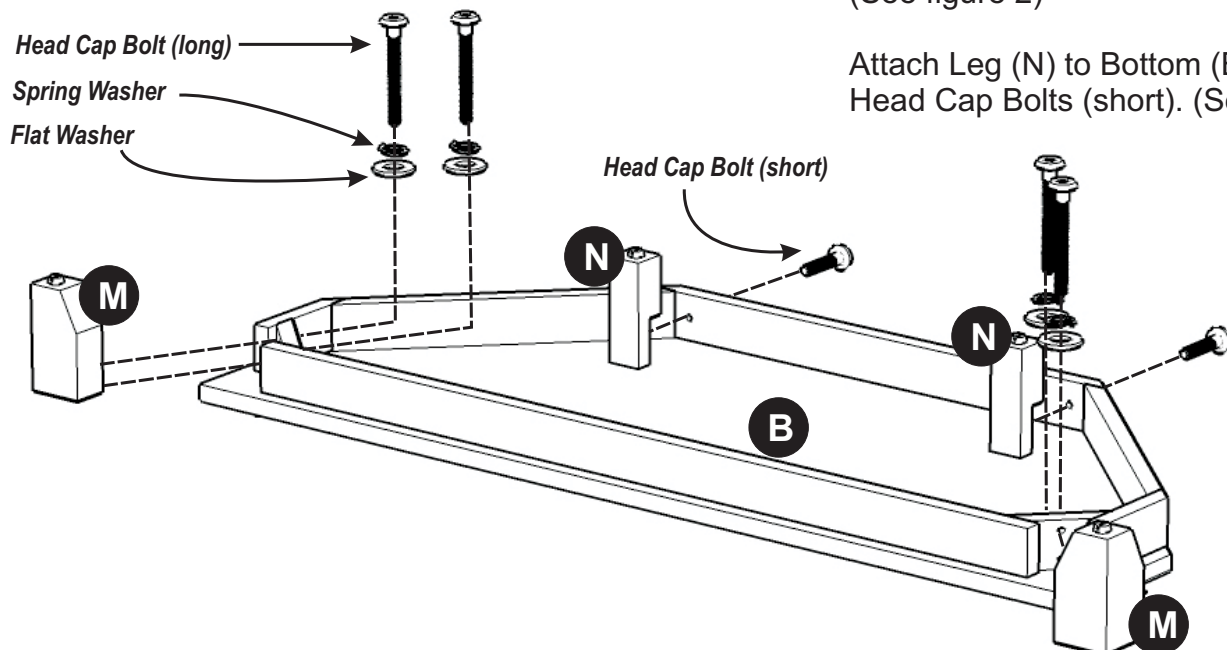


Figure 3

## STEP 2

Attach Leg (M) to Bottom (B) with Head Cap Bolts (long), Spring Washers and Flat Washers. (See figure 2)

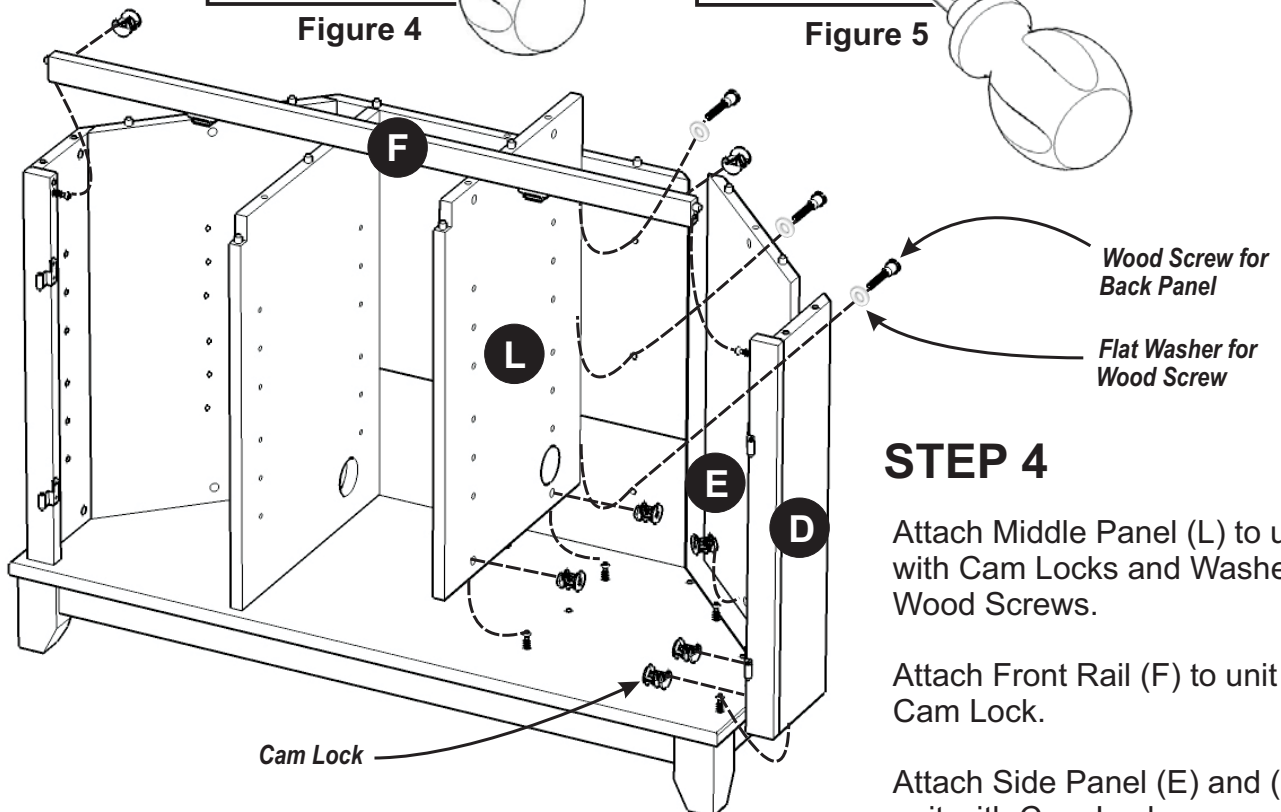
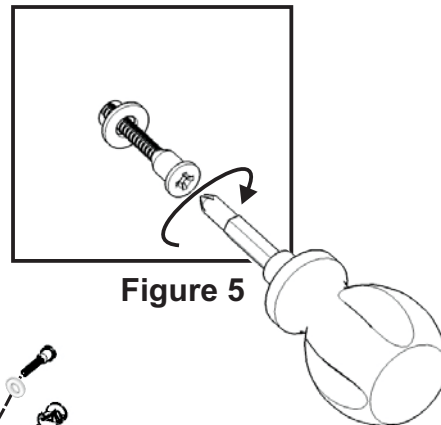
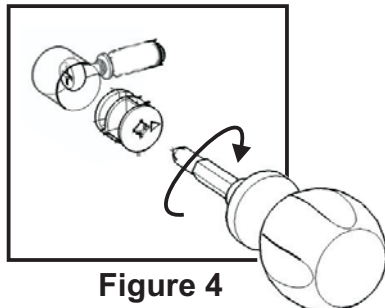
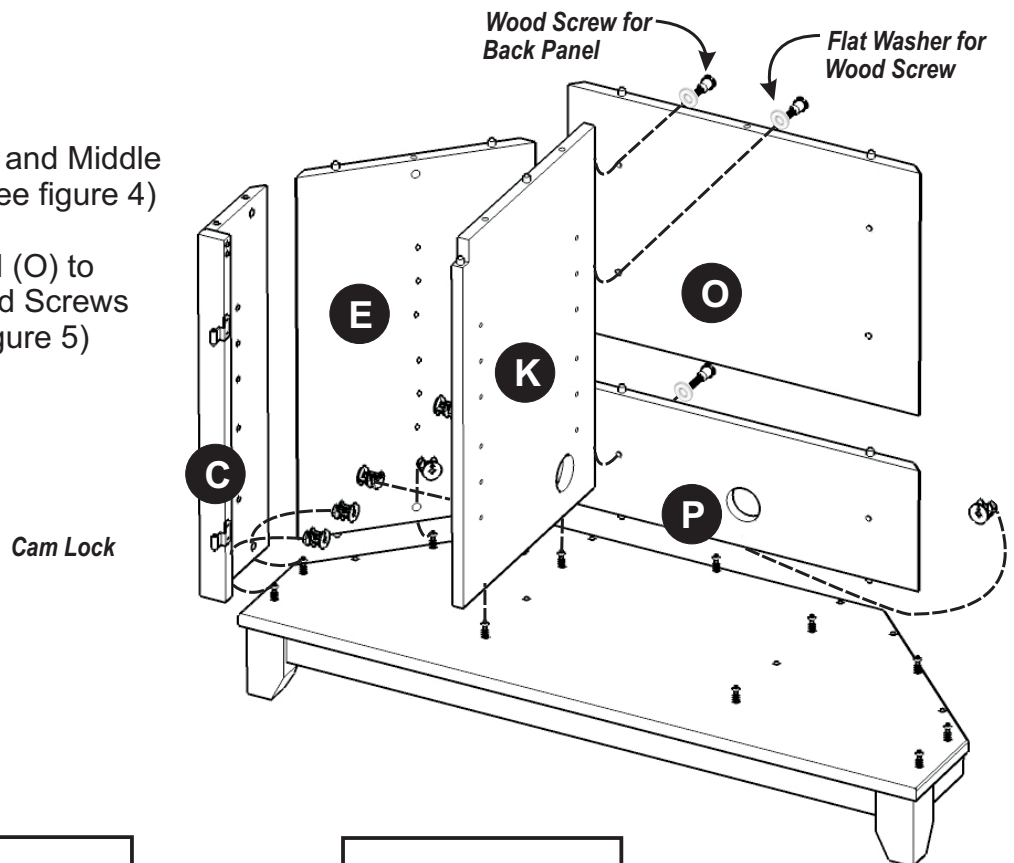
Attach Leg (N) to Bottom (B) with Head Cap Bolts (short). (See figure 3)



## STEP 3

Attach Side Panel (C), (E) and Middle Panel with Cam Locks. (See figure 4)

Attach Back Panel (P) and (O) to unit with Cam Locks, Wood Screws and Flat Washers. (See figure 5)



## STEP 4

Attach Middle Panel (L) to unit with Cam Locks and Washers, Wood Screws.

Attach Front Rail (F) to unit with Cam Lock.

Attach Side Panel (E) and (D) to unit with Cam Locks.

## STEP 5

Place Top (A) onto the unit with Cam Locks.

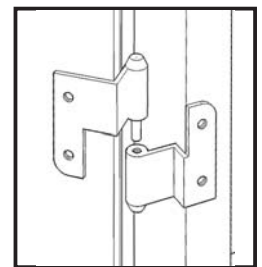
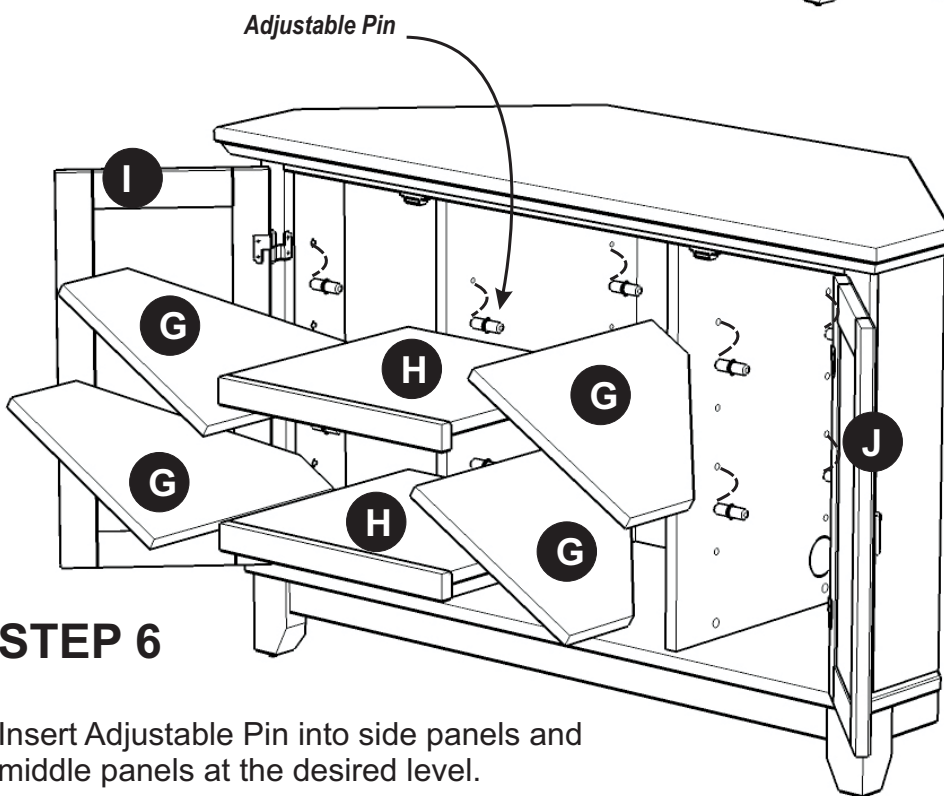
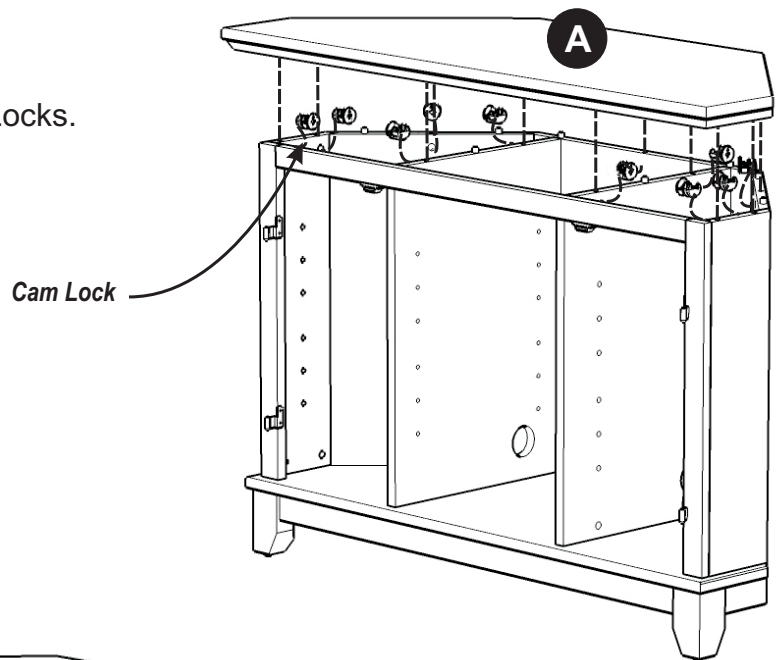


Figure 6

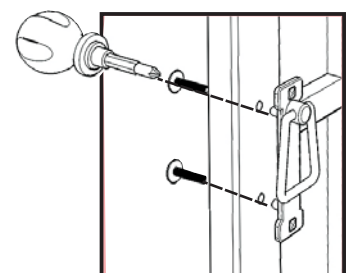


Figure 7

## STEP 6

Insert Adjustable Pin into side panels and middle panels at the desired level.

Slide Shelf (G) and (H) into position.

Attach Door (I) and (J) to the side panels, by sliding the door lift hinges into the side panel lift hinges. (See figure 6)

Assemble Pull Handles to Door (I) and (J) with Machine Screws. (See figure 7)

To level the unit, adjust the adjustable levelers on the bottom of legs.

