

# 88 5252 515

## Gamesman

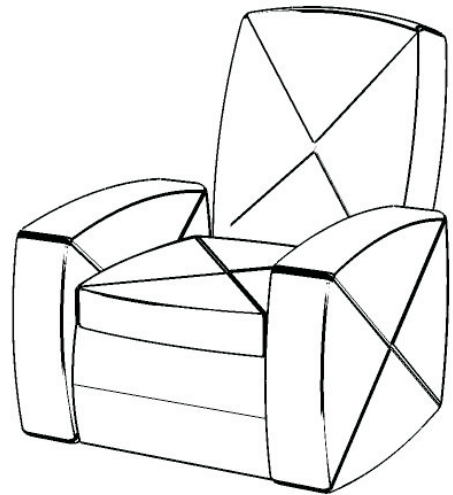
### Gaming Chair/Ottoman

#### IMPORTANT NOTE

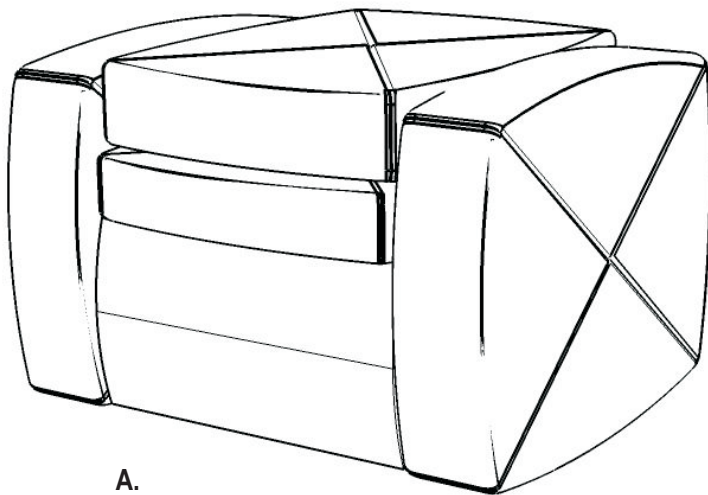
Carefully remove all the parts from the carton and put them individually on a soft cloth to prevent scratches or other damages occurring to the parts.

We have taken great care in the design of this product and request that you carefully and strictly follow our assembly instructions to ensure a completed product as it was designed.

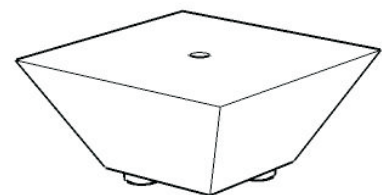
*Home  
Styles*



## Part List



**A.**  
**Chair**  
1 pc.



**B.**  
**Foot**  
4 pcs.

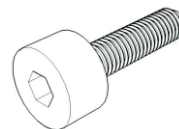
## Hardware List



**Small Hex Wrench**  
1 pc.



**Hex Wrench**  
1 pc.



**Head Cap Bolt**  
4 pcs.(+1 extra)



**Flat Washer**  
4 pcs.(+1 extra)

# Assembly Instructions

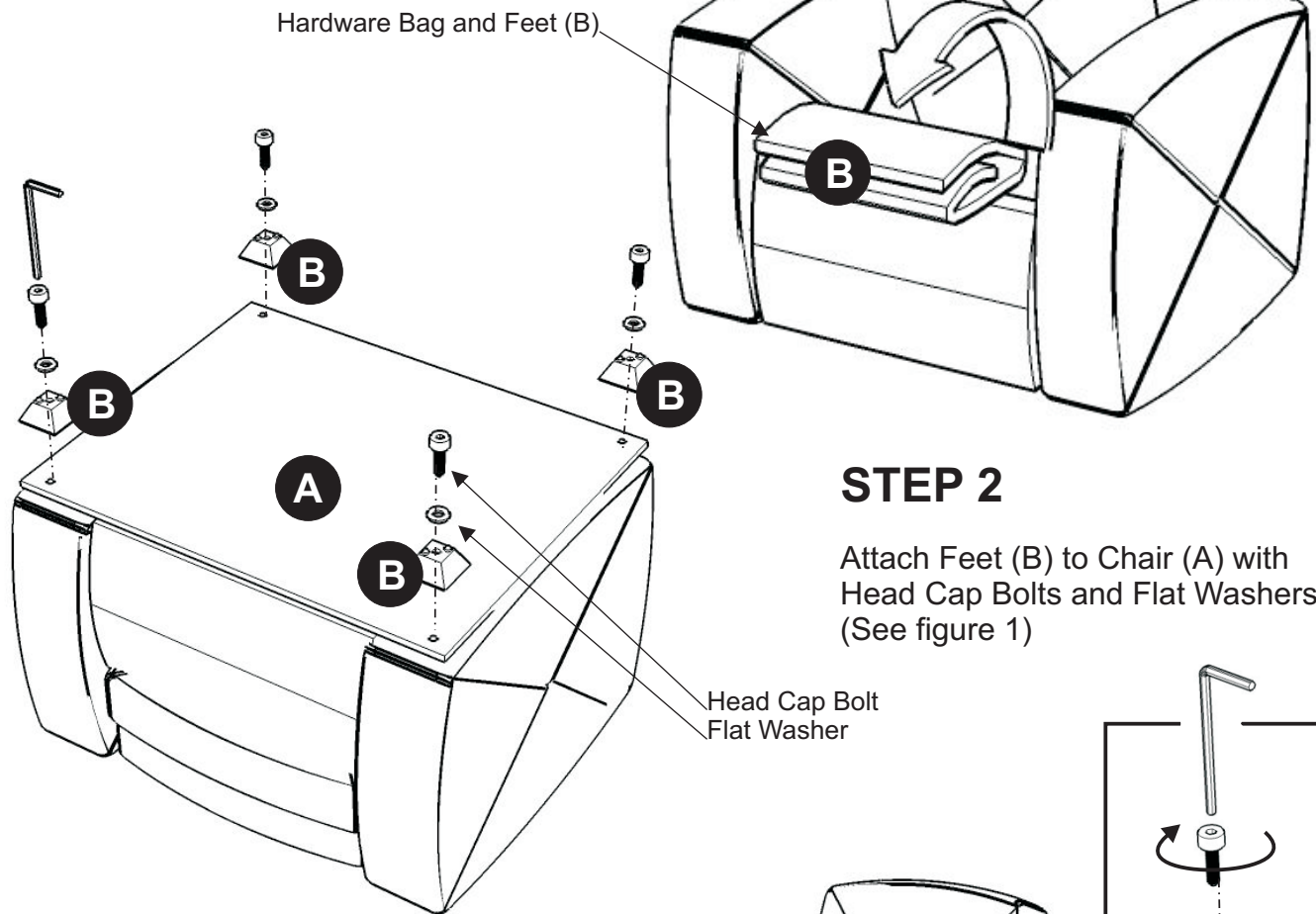
## IMPORTANT

- \* Do not tighten up all the bolts until each part is properly assembled.
- \* Use a soft cloth between these parts and the floor.

## STEP 1

Open Back and Seat Cushion.

Remove Hardware Bag and Feet (B).



## STEP 2

Attach Feet (B) to Chair (A) with Head Cap Bolts and Flat Washers. (See figure 1)

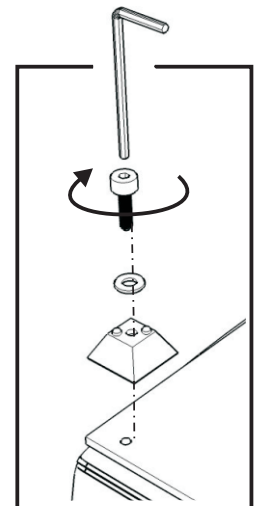


Figure 1

## STEP 3

Turn the unit to its' upright position.

