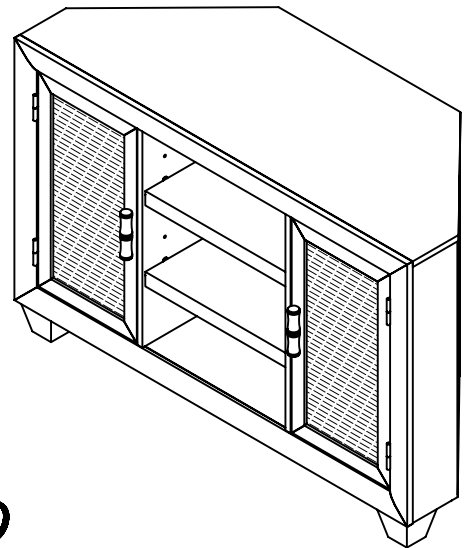


# 88 5402 07 Cabana Banana Corner TV Stand (Cocoa Finish)



## IMPORTANT NOTE

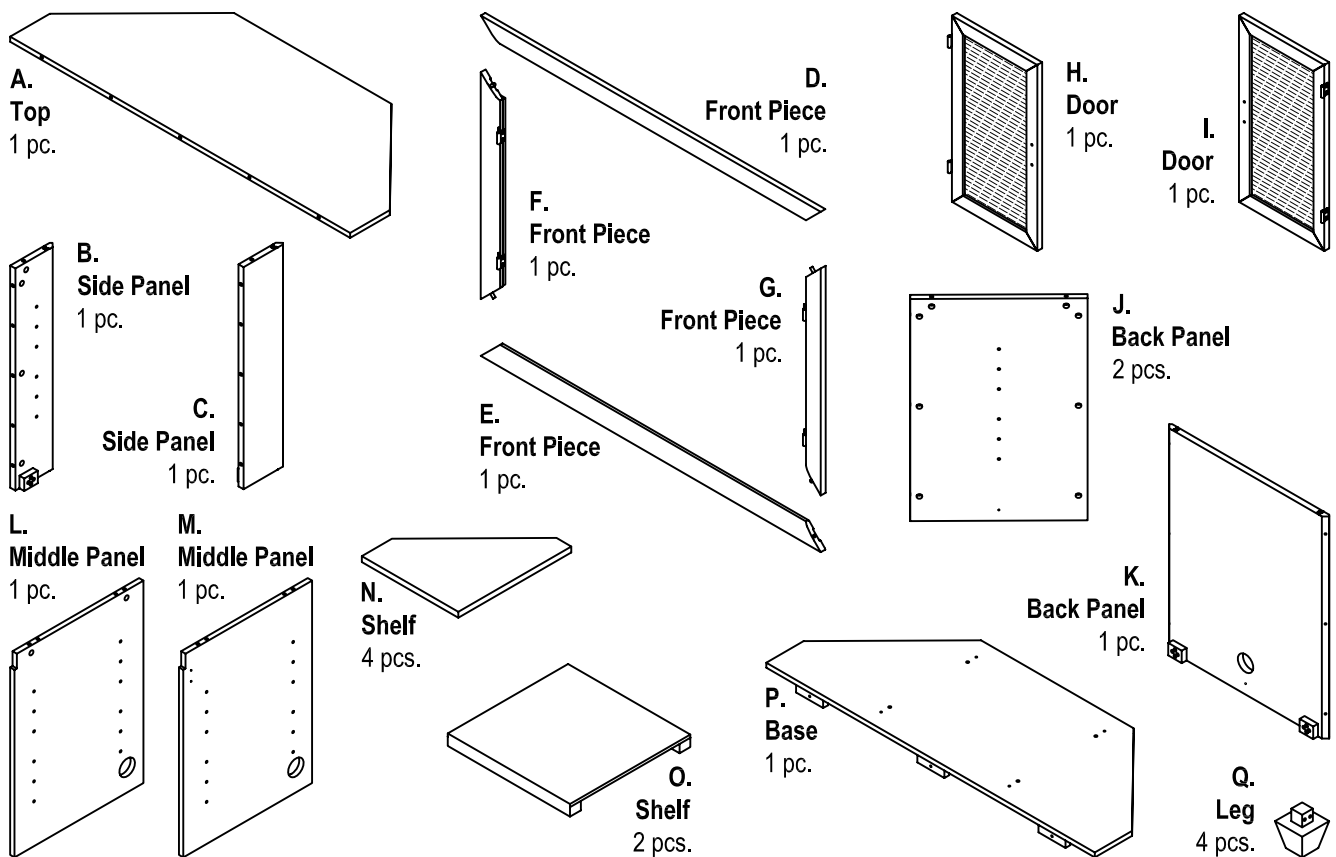
Carefully remove all the parts from the carton and put them individually on a soft cloth to prevent scratches or other damages occurring to the wood parts.

We have taken great care in the design of this product and request that you carefully and strictly follow our assembly instructions to ensure a completed product as it was designed.

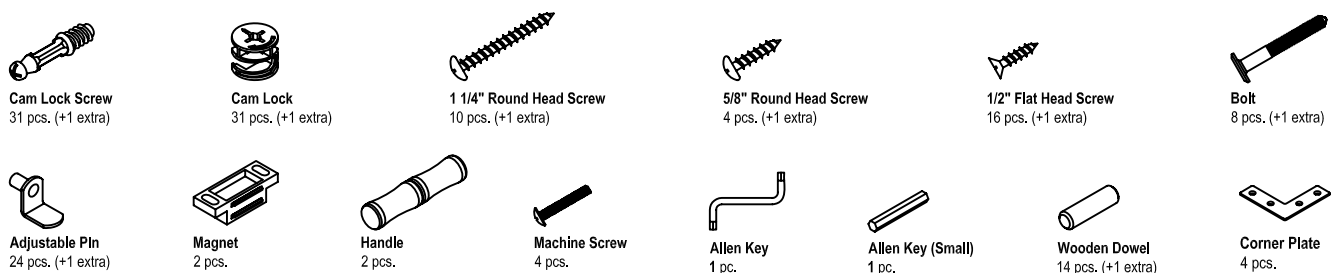


Casual Attire For Today's Home

## Part List



## Hardware List



Tools Required For Assembly : Phillips screwdriver

**Home Styles Consumer Assistance Line 888-680-7460 and 877-831-0319  
servicedesk@homestyles-furniture.com**

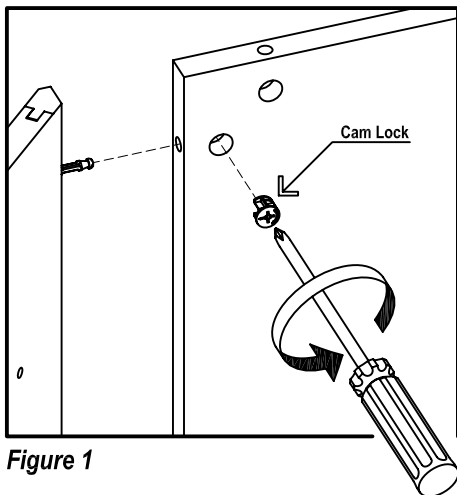
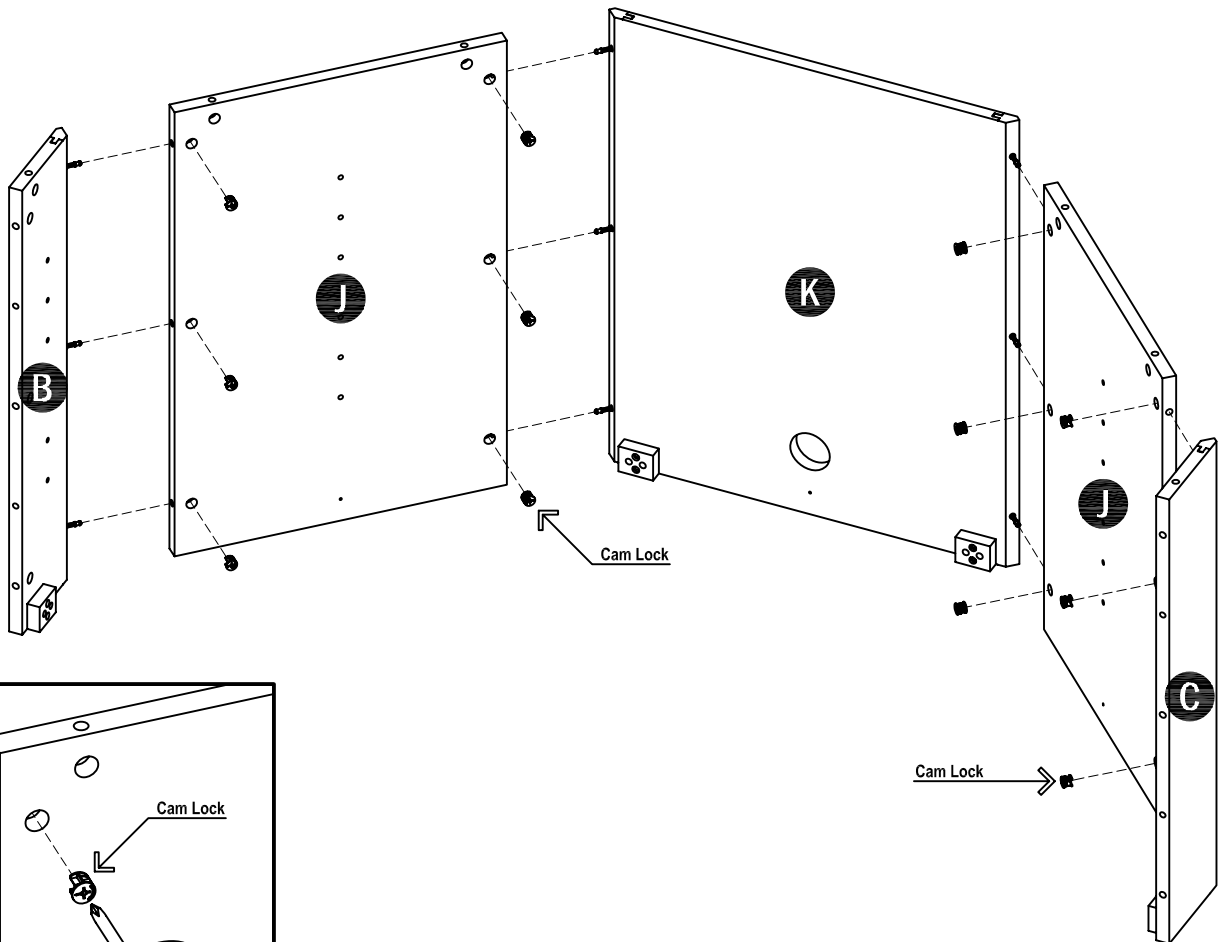
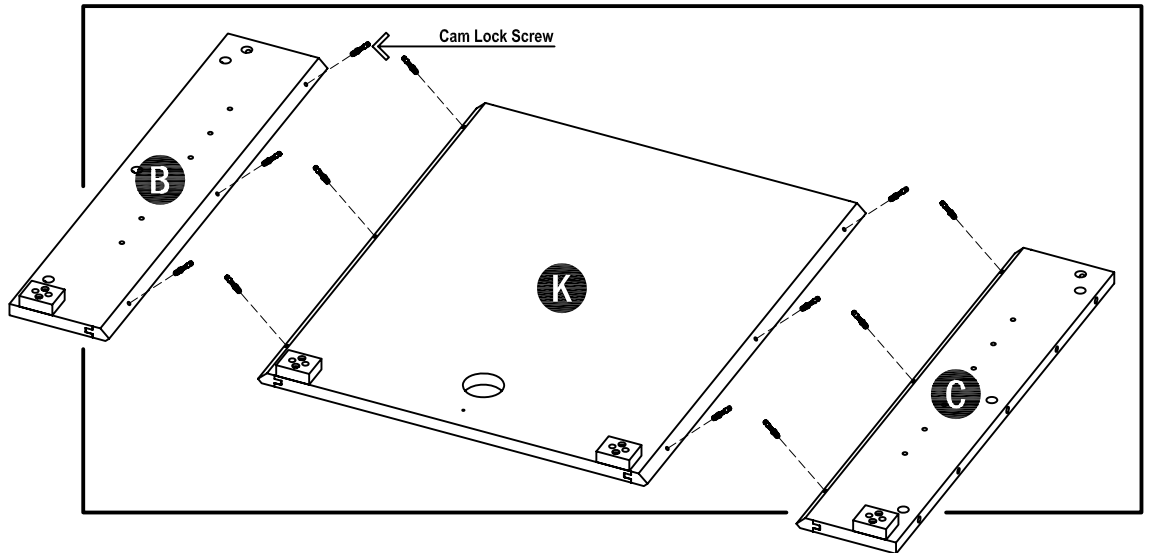
# Assembly Instructions 2/8

## IMPORTANT

- \* Do not tighten up all the screws until each part is properly assembled.
- \* Use a soft cloth between these parts and the floor.

## STEP 1

Insert Cam Lock Screws into the pre-drilled holes of Side Panel (B) and (C) and Back Panel (K).



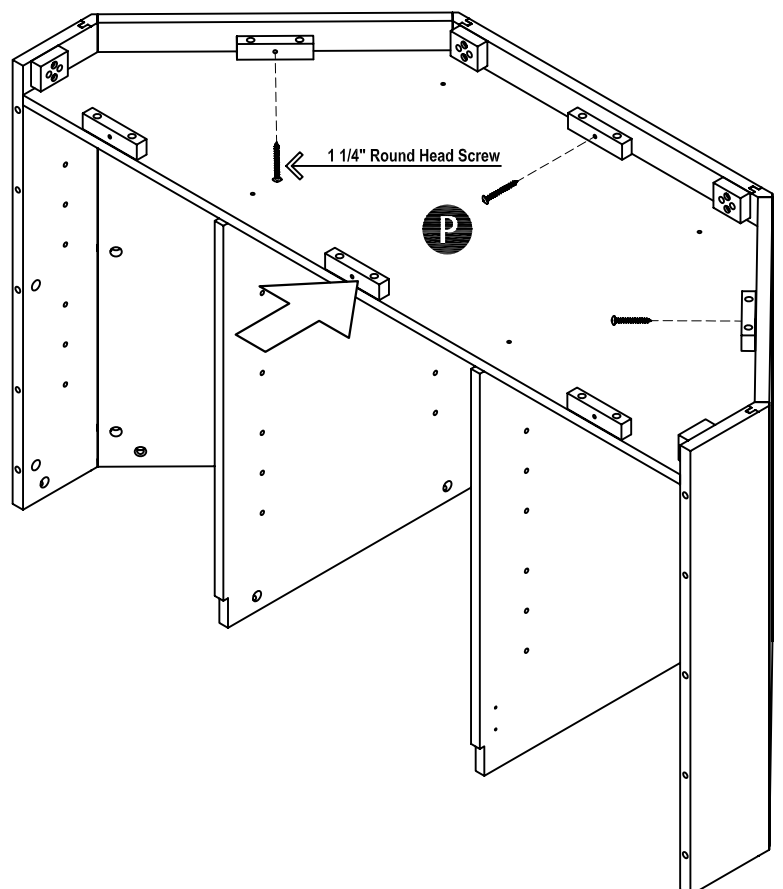
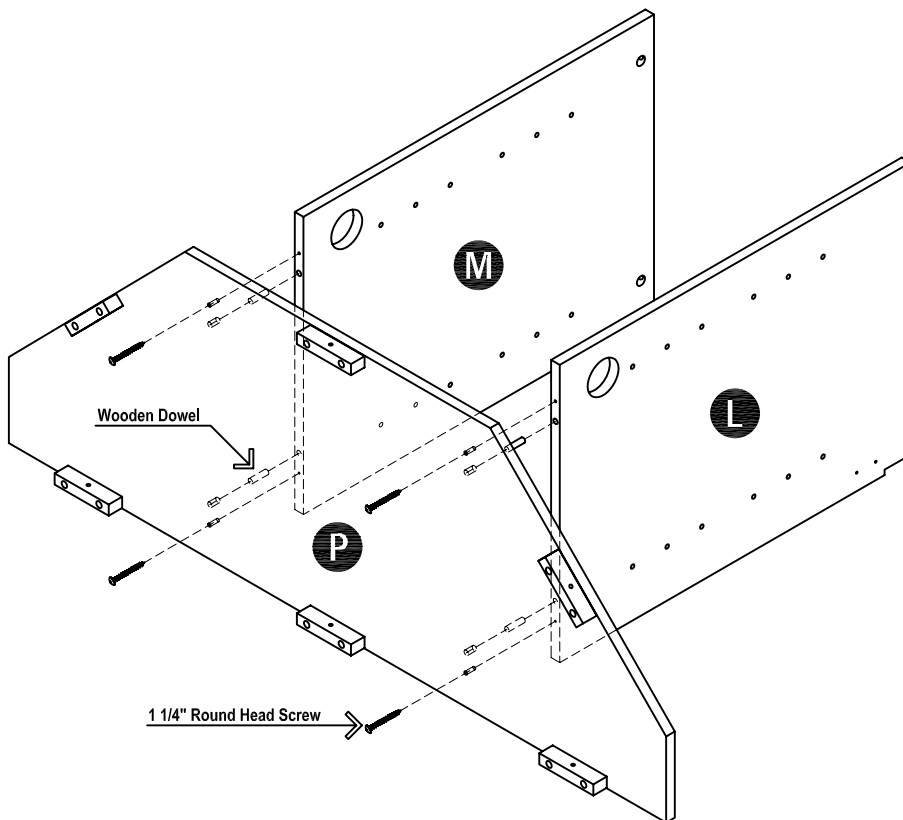
## STEP 2

Assemble Side Panels (B), (C), Back Panels (J) and (K) with Cam Locks as shown. (See figure 1)

# Assembly Instructions 3/8

## STEP 3

Attach Middle Panel (L) and (M) to Base (P) using 1 1/4" Round Head Screws and Wooden Dowels.



## STEP 4

Attach Base (P) to unit using 1 1/4" Round Head Screws.

# Assembly Instructions 4/8

## STEP 5

Insert Cam Lock Screws into the pre-drilled holes of Top (A).

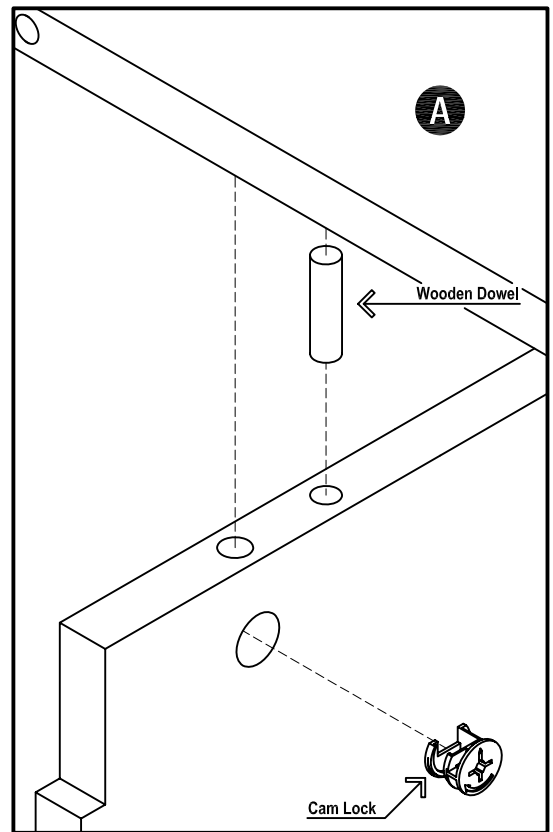
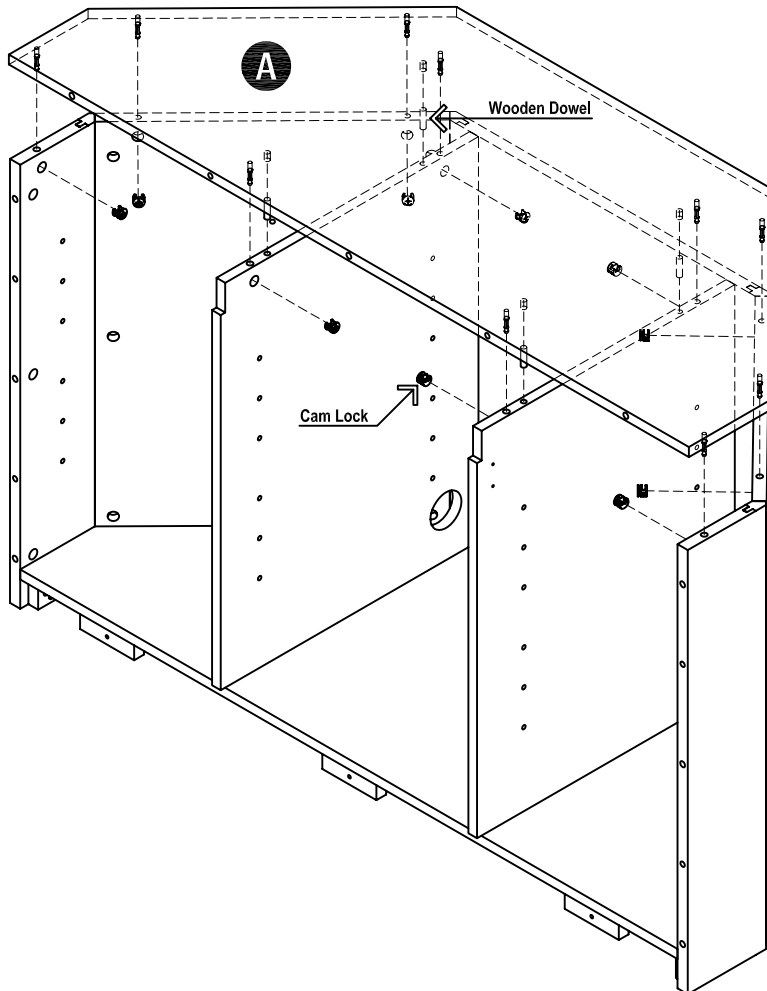
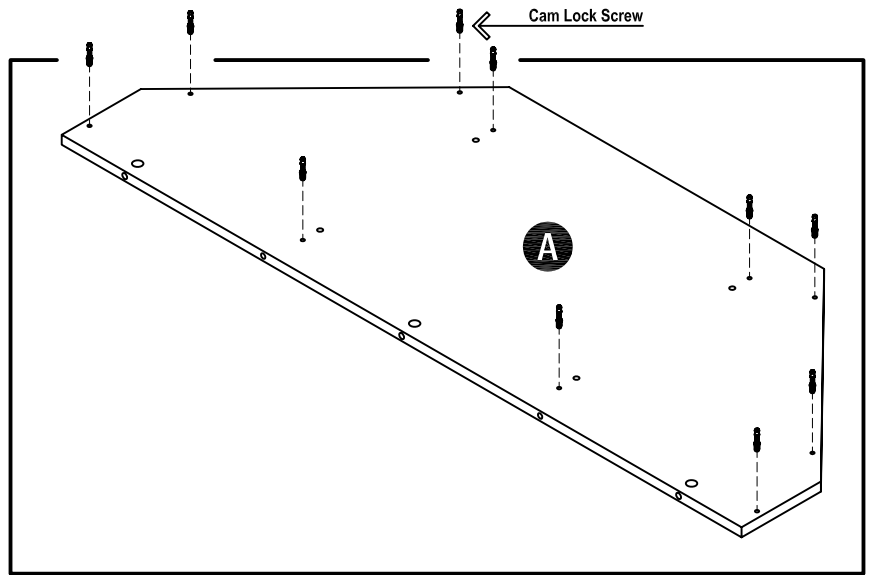


Figure 2

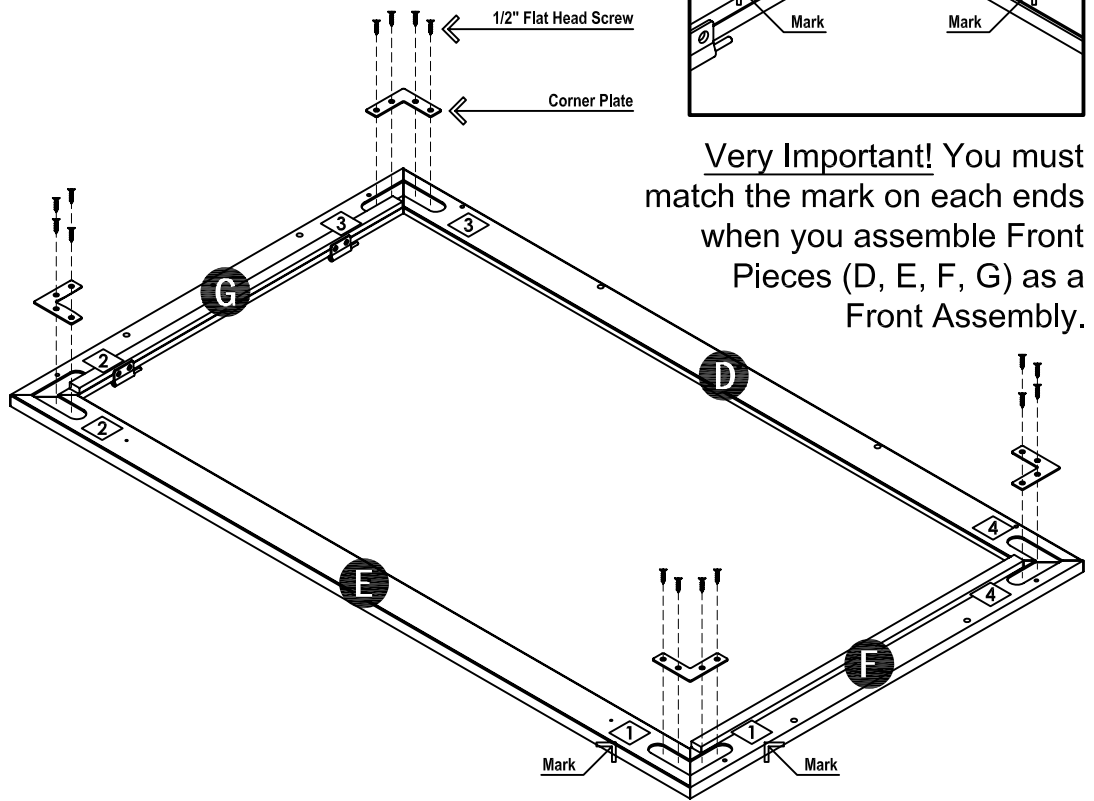
## STEP 6

Place Top (A) onto unit using Cam Locks and Wooden Dowels.  
(See figure 2)

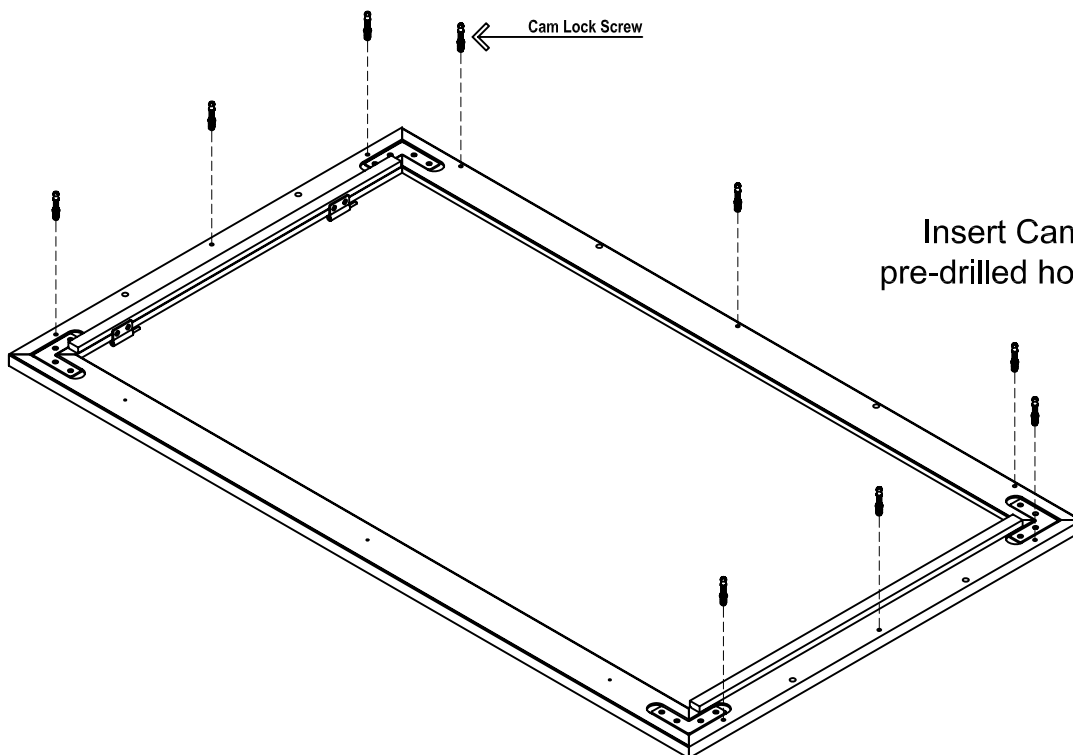
# Assembly Instructions 5/8

## STEP 7

Assemble Front Pieces (D, E, F, G) as a Front Assembly and attach Corner Plate to Front Pieces (D, E, F, G) using 1/2" Flat Head Screw.



**Very Important!** You must match the mark on each ends when you assemble Front Pieces (D, E, F, G) as a Front Assembly.



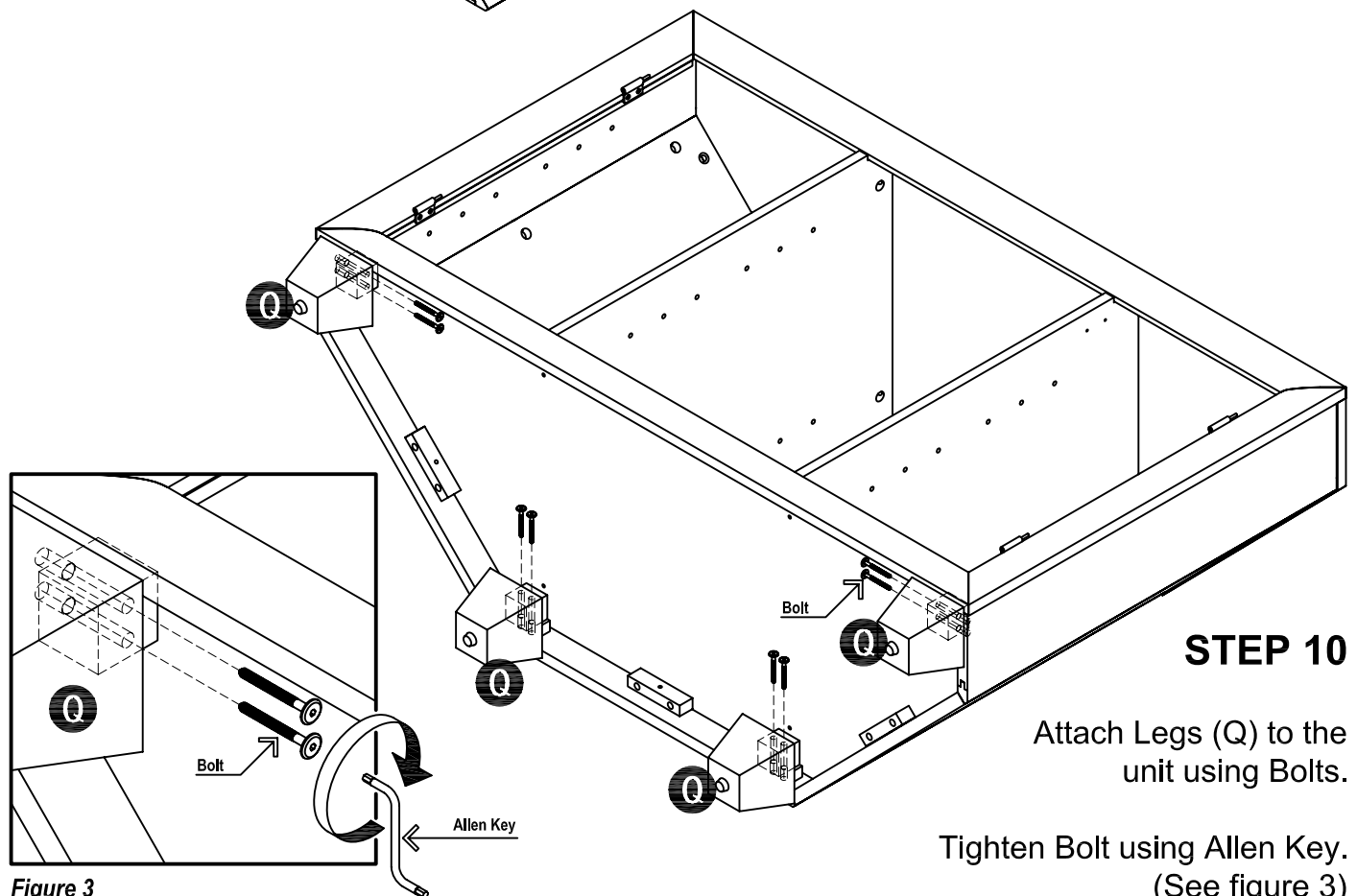
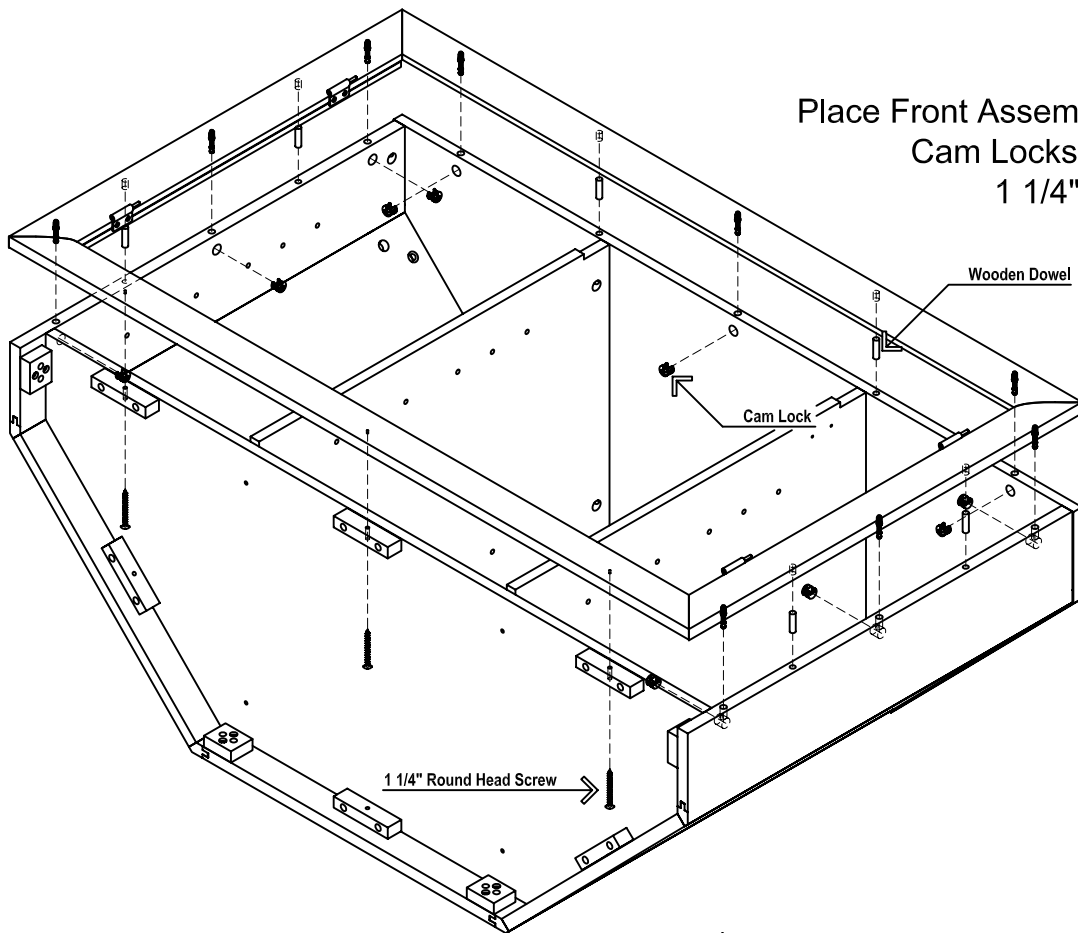
## STEP 8

Insert Cam Lock Screws into the pre-drilled holes of Front Assembly.

# Assembly Instructions 6/8

## STEP 9

Place Front Assembly onto the unit using Cam Locks, Wooden Dowels and 1 1/4" Round Head Screws.



## STEP 10

Attach Legs (Q) to the unit using Bolts.

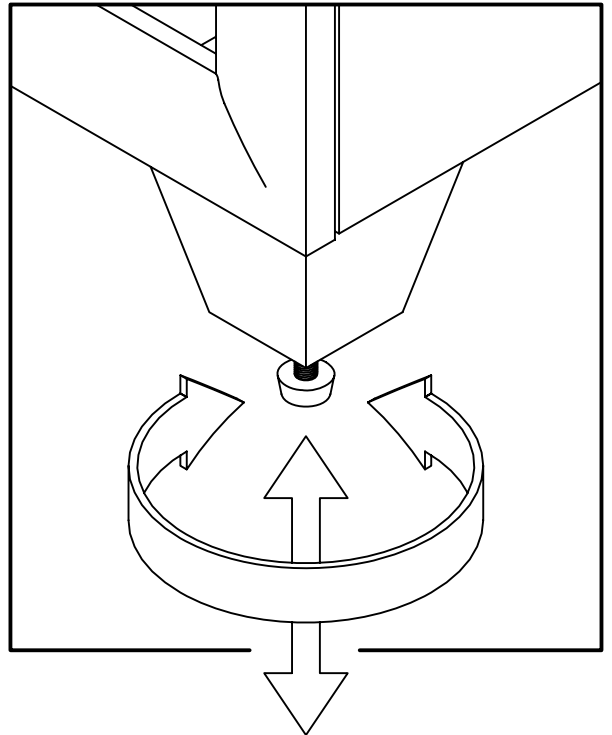
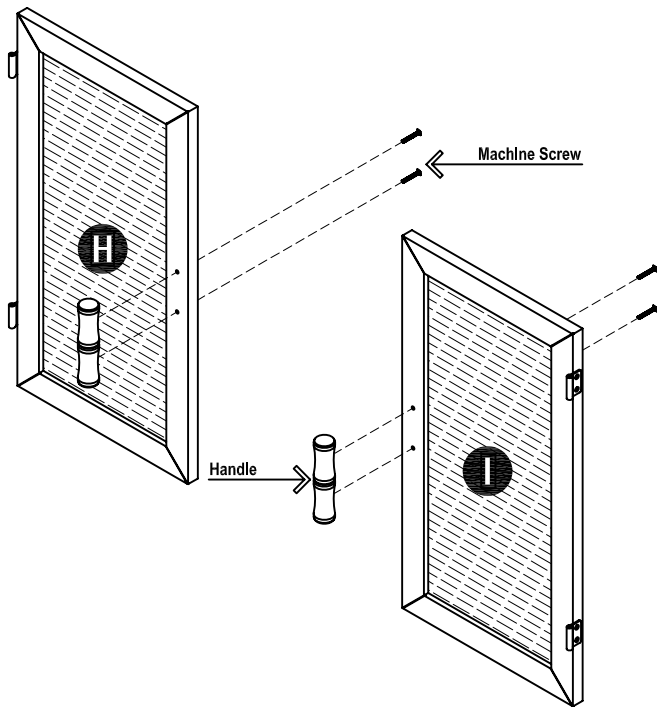
Tighten Bolt using Allen Key.  
(See figure 3)

Figure 3

# Assembly Instructions 7/8

## STEP 11

To level the unit, adjust the adjustable levelers on the bottom of the Legs.



## STEP 12

Attach Handles to Doors (H) and (I) with Machine Screws.

## STEP 13

Attach Magnet to unit using 5/8" Round Head Screws.  
(See figure 4)

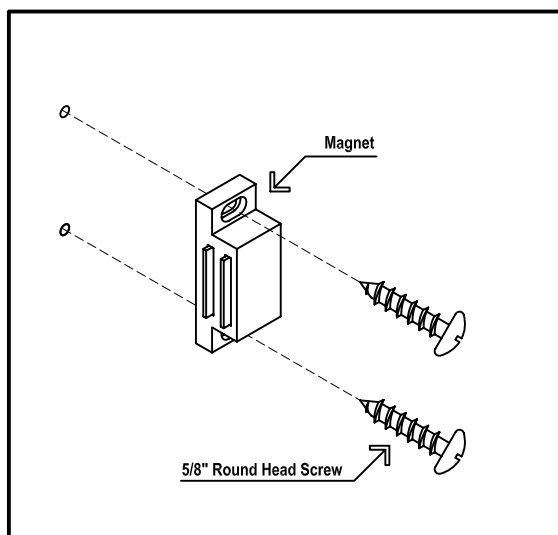
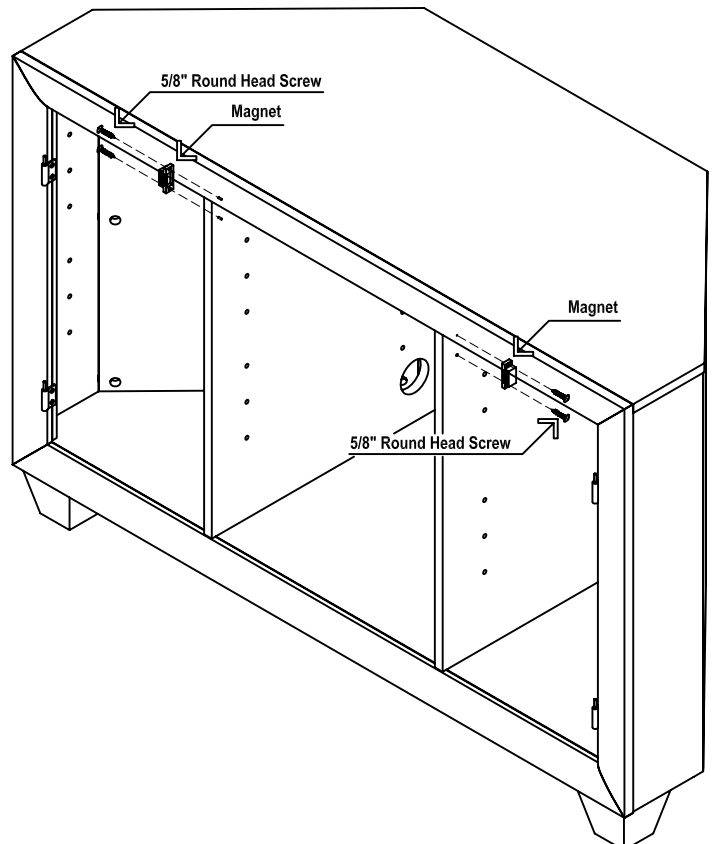


Figure 4



## STEP 14

Attach Doors (H) and (I) by sliding the Doors lift hinges into the Side Panels lift hinges.  
(See figure 5)

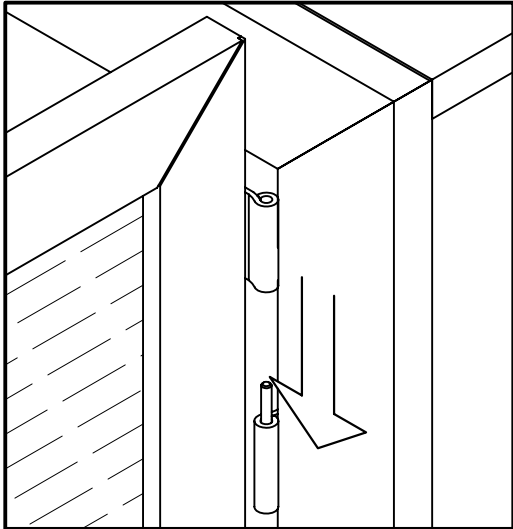
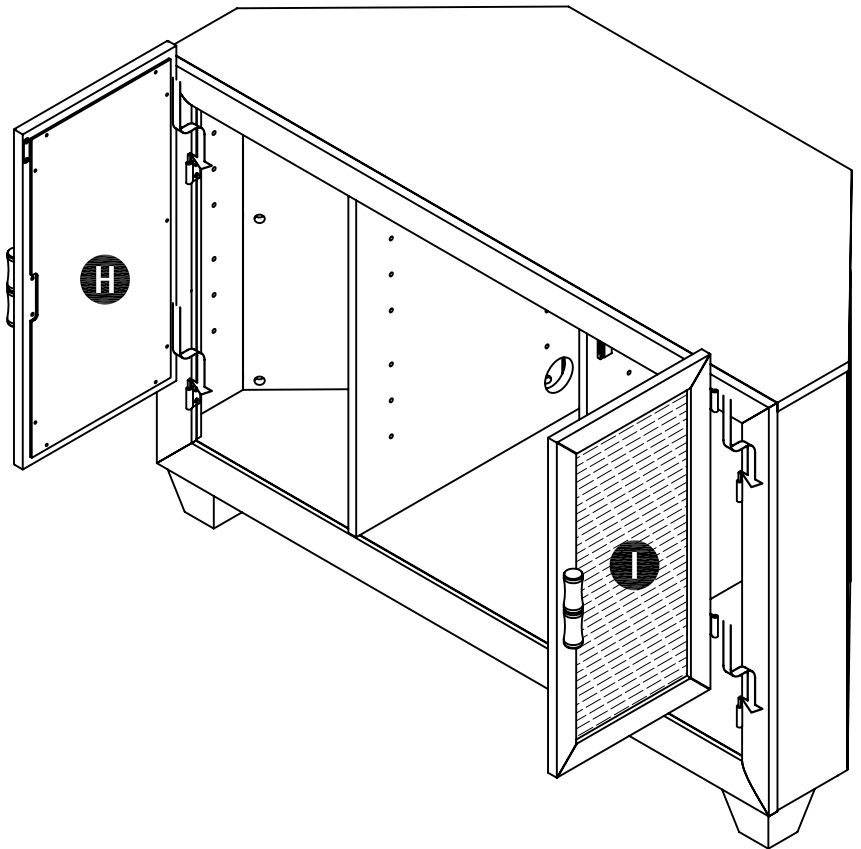


Figure 5



## STEP 15

Insert Adjustable Pins into Side Panels and Middle Panels at the desired level.  
(See figure 6)

Place Shelves (N) and (O) into position.

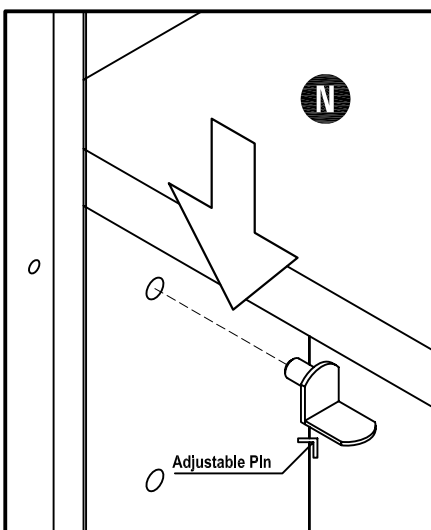


Figure 6

