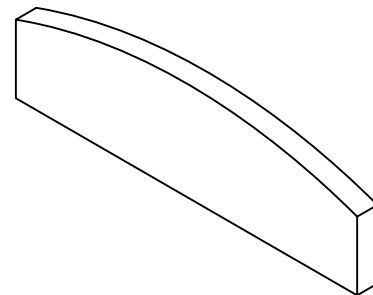


**88 5402 4011**

# Cabana Banana Bed Headboard (Cocoa Finish)



**IMPORTANT NOTE**

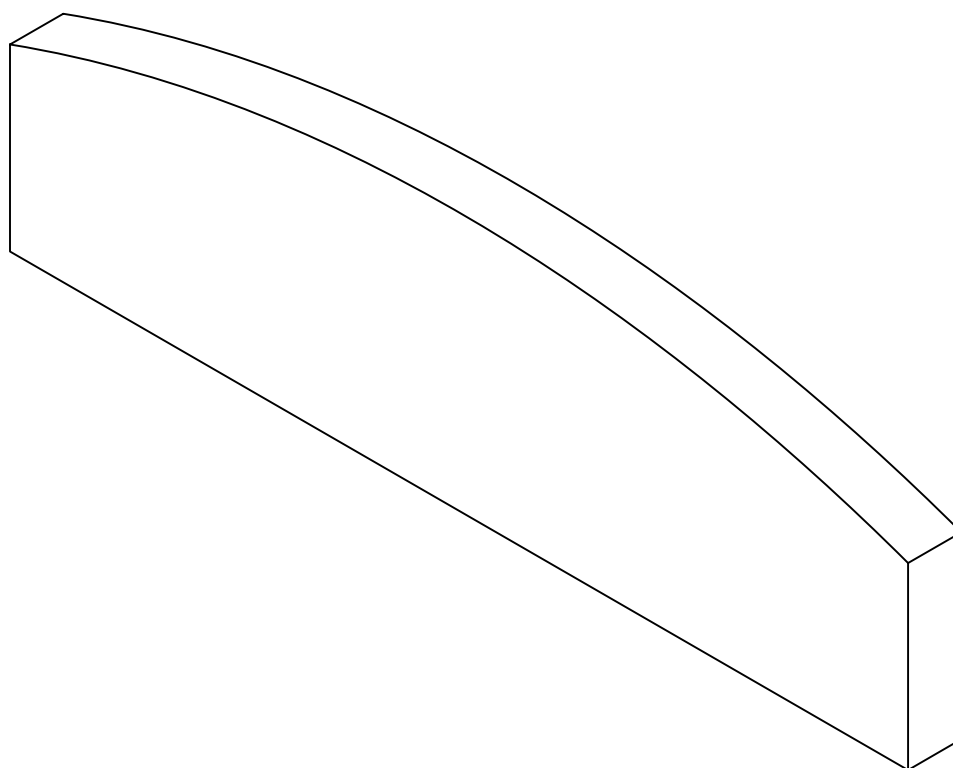
Carefully remove all the parts from the carton and put them individually on a soft cloth to prevent scratches or other damages occurring to the wood parts.

We have taken great care in the design of this product and request that you carefully and strictly follow our assembly instructions to ensure a completed product as it was designed.



Casual Attire For Today's Home

## Part List



**For assembly see instructions in carton 88 5402 4012**

**Home Styles Consumer Assistance Line 888-680-7460 and 877-831-0319  
servicedesk@homestyles-furniture.com**

# 88 5402 4012

## Cabana Banana Bed Headboard (Cocoa Finish)

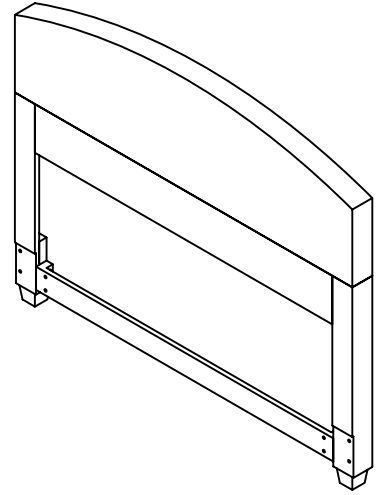
### IMPORTANT NOTE

Carefully remove all the parts from the carton and put them individually on a soft cloth to prevent scratches or other damages occurring to the wood parts.

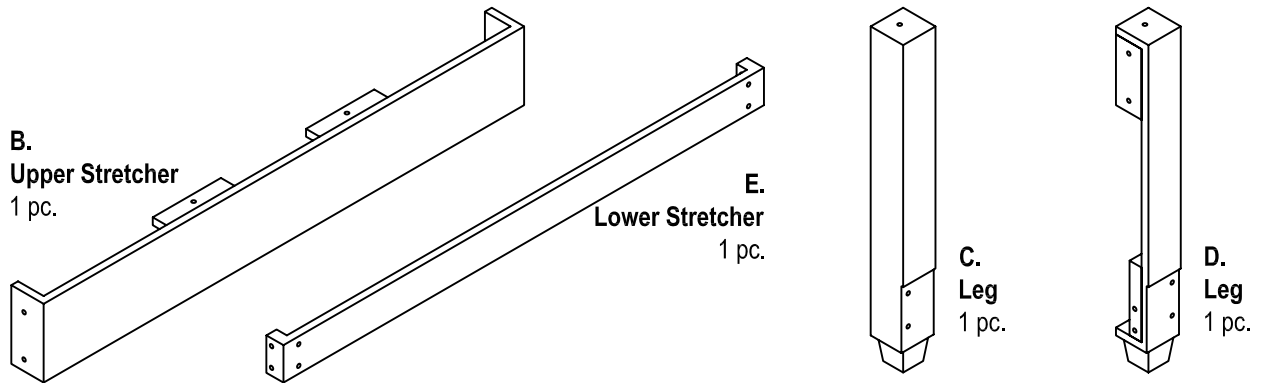
We have taken great care in the design of this product and request that you carefully and strictly follow our assembly instructions to ensure a completed product as it was designed.



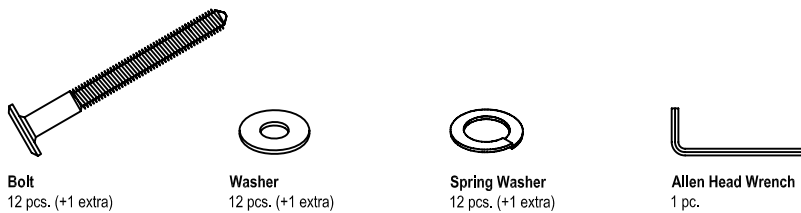
Casual Attire For Today's Home



### Part List



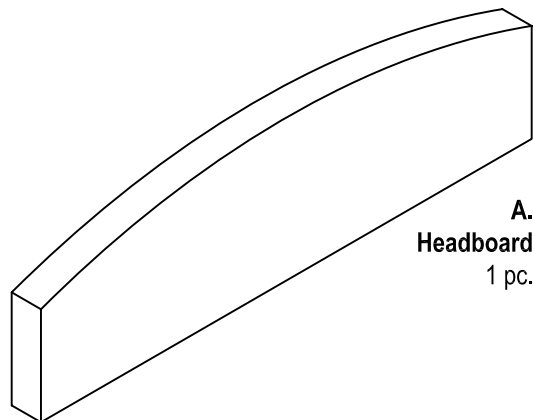
### Hardware List



### For assembly also need the following :

88 5402 4011 Bed Headboard

Carton quantity: 1



**Home Styles Consumer Assistance Line 888-680-7460 and 877-831-0319**  
[servicedesk@homestyles-furniture.com](mailto:servicedesk@homestyles-furniture.com)

# Assembly Instructions 2/2

## IMPORTANT

Do not tighten up all the screws until each part is properly assembled.

You should keep Hex Wrench in a safe place as you may need to tighten up the Head Cap Bolts in the future.

## STEP 1

Attach Upper and Lower Stretcher (B & E) to the Legs (C & D) with Bolts, Flat Washers and Spring Washers.

Attach Headboard (A) to unit with Bolts, Flat Washers and Spring Washers.

Tighten all Bolts using Allen Head Wrench.

