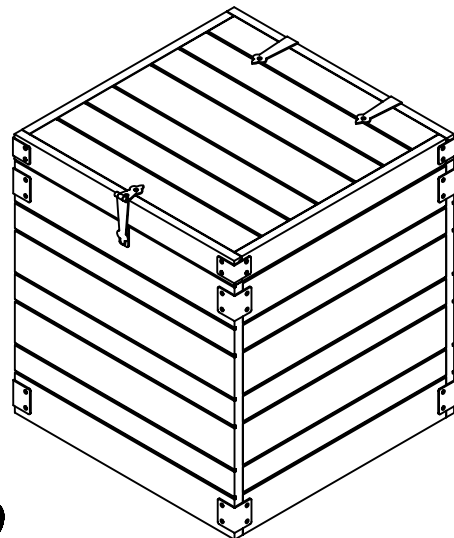


88 5480 26

Small Wood Trunk (Honey Finish)



IMPORTANT NOTE

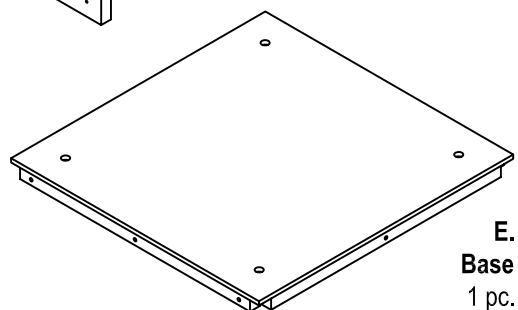
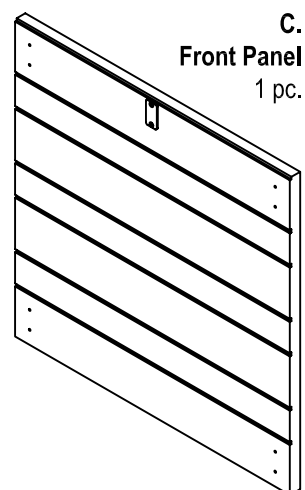
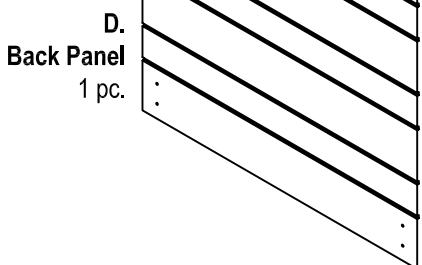
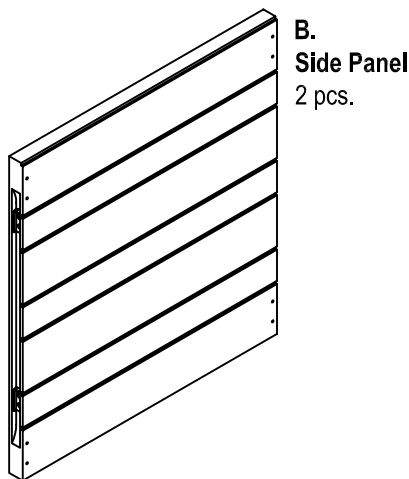
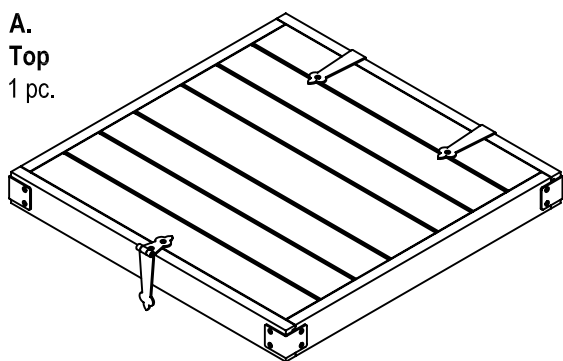
Carefully remove all the parts from the carton and put them individually on a soft cloth to prevent scratches or other damages occurring to the wood parts.

We have taken great care in the design of this product and request that you carefully and strictly follow our assembly instructions to ensure a completed product as it was designed.



Casual Attire For Today's Home

Part List



Hardware List



1" Round Head Screw
8 pcs. (+1 extra)



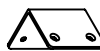
1/2" Round Head Screw
4 pcs. (+1 extra)



5/8" Flat Head Screw
8 pcs. (+1 extra)



1/2" Flat Head Screw
32 pcs. (+1 extra)



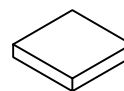
Corner Plate
8 pcs.



Hinge
2 pcs.



Safety Hinge
1 pc.



Hammer Pad
1 pc.

Tools Required For Assembly : Phillips screwdriver, rubber mallet

Home Styles Consumer Assistance Line 888-680-7460 and 877-831-0319
servicedesk@homestyles-furniture.com

Assembly Instructions 2/4

IMPORTANT

- * Do not tighten up all the screws until each part is properly assembled.
- * Use a soft cloth between these parts and the floor.

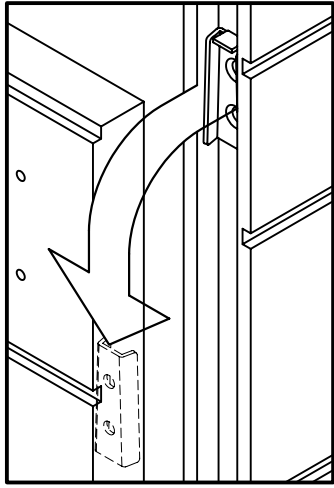
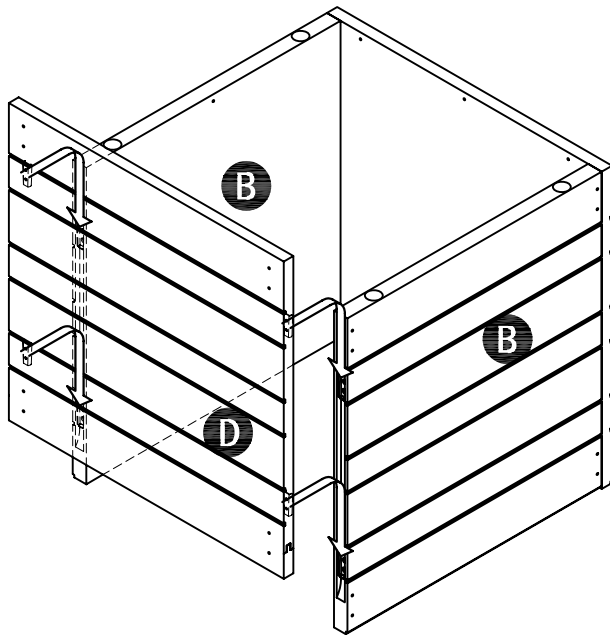
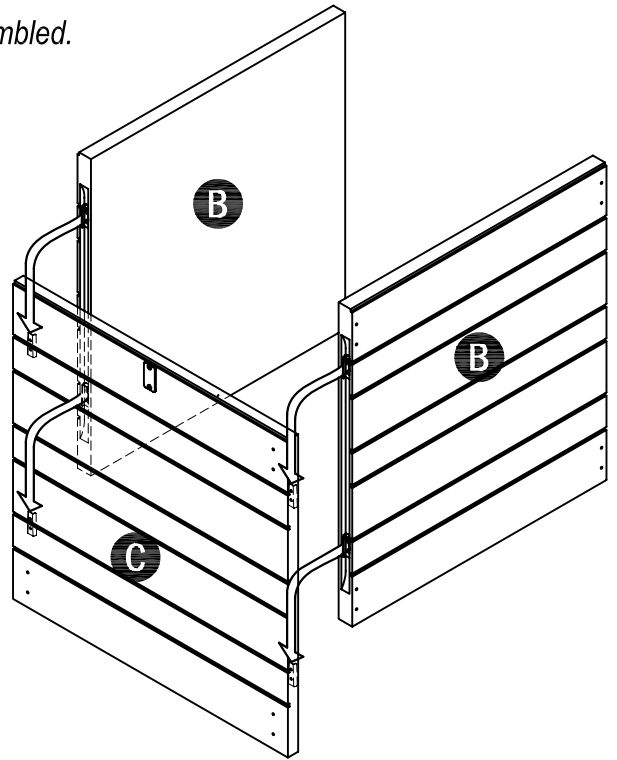


Figure 1

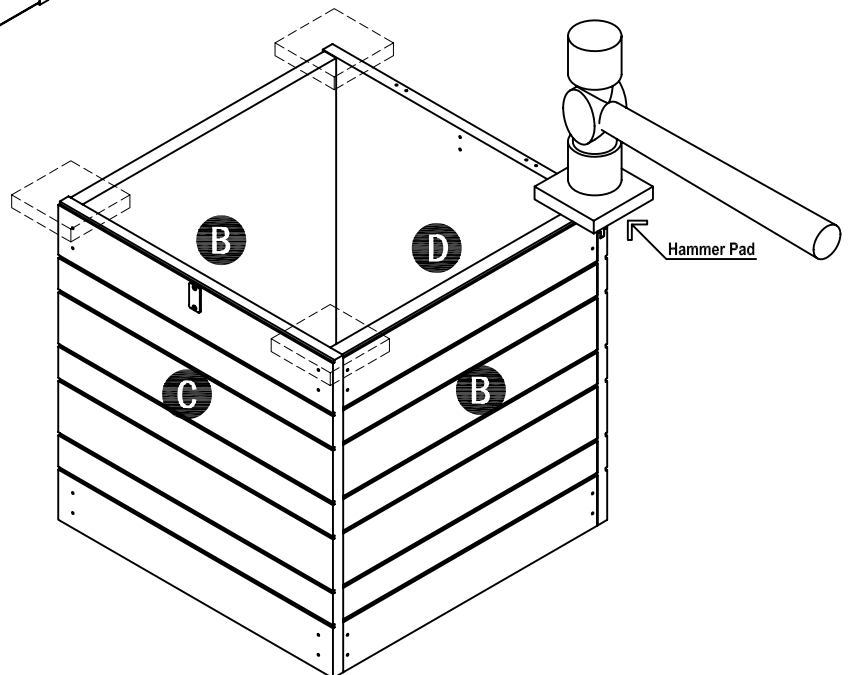
STEP 1

Attach Side Panels (B) to Front Panel (C) by sliding metal sleeve on Side Panels (B) down to metal clip on Front Panel (C). (See figure 1)



STEP 2

Place unit upside down, attach Back Panel (D) to unit by sliding metal clip on Back Panel (D) down to metal sleeve on Side Panels (B).



STEP 3

Gently tap Side Panels (B) until flush with Front Panel (C) and Back Panel (D) using rubber mallet and Hammer Pad.

Assembly Instructions 3/4

STEP 4

Attach Base (E) to unit using 1" Round Head Screw into pre-drilled holes in unit and tighten.
(See figure 2).

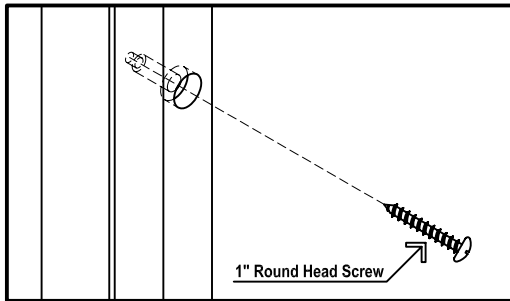
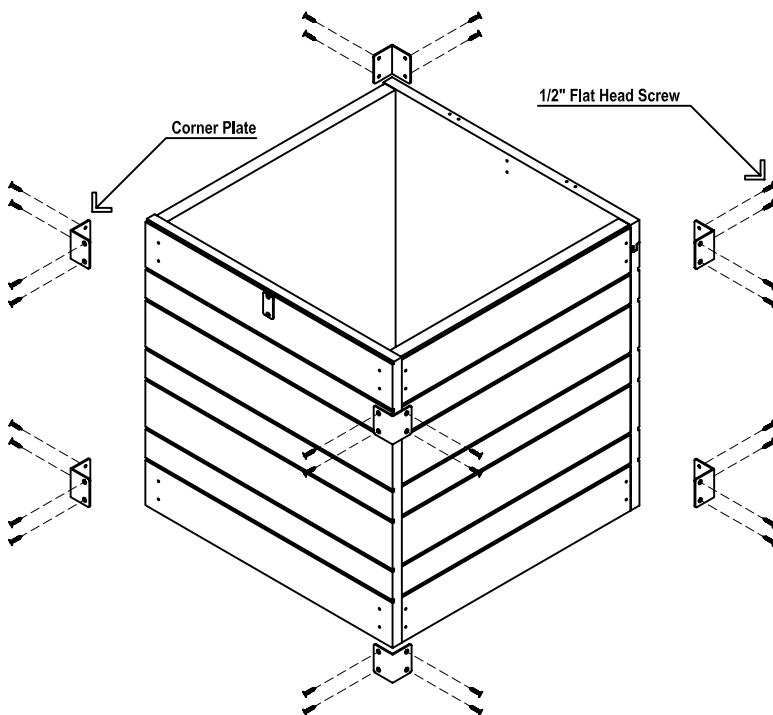
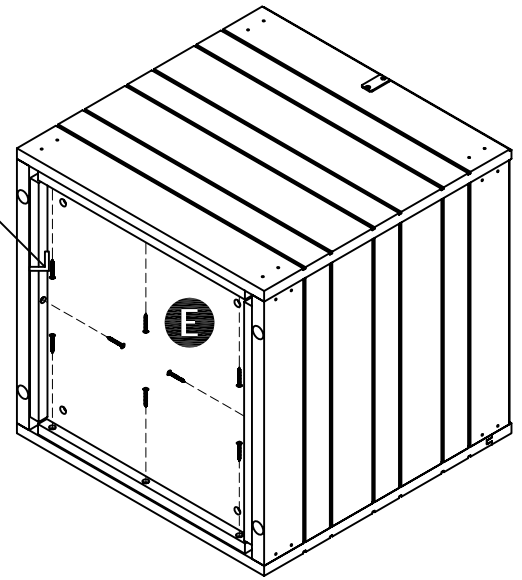


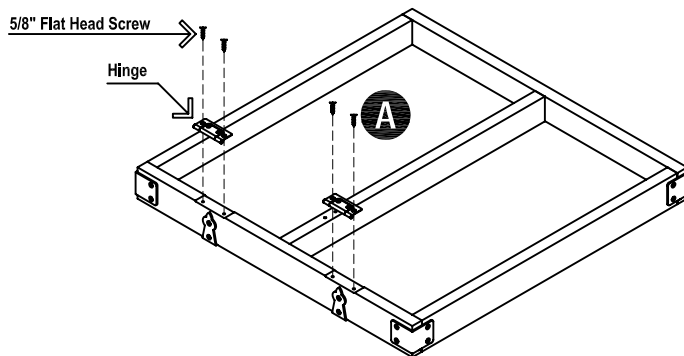
Figure 2

1" Round Head Screw



STEP 5

Attach Corner Plate to unit using 1/2" Flat Head Screw.



STEP 6

Attach Hinges to Top (A) using 5/8" Flat Head Screw.
(See figure 3)

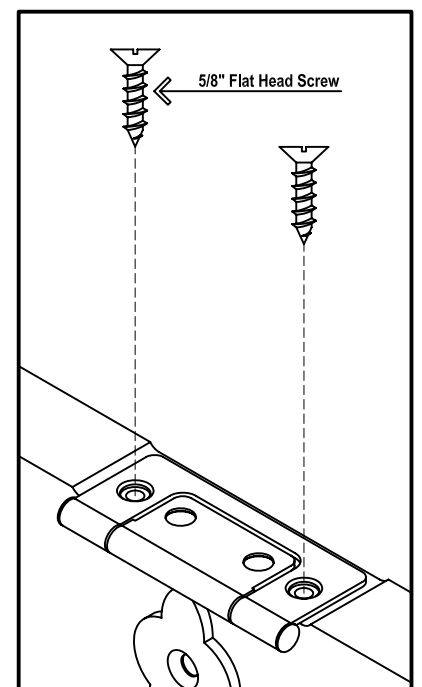


Figure 3

Assembly Instructions 4/4

STEP 7

Attach Hinges to unit using 5/8" Flat Head Screw.
(See figure 4)

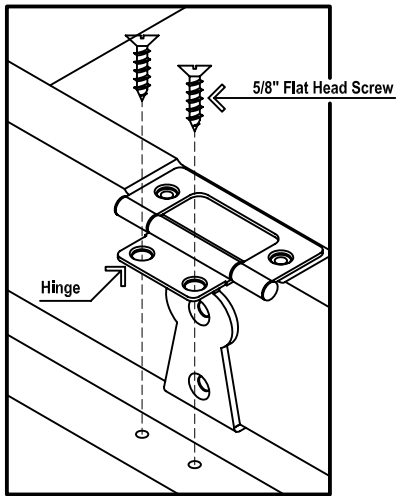


Figure 4

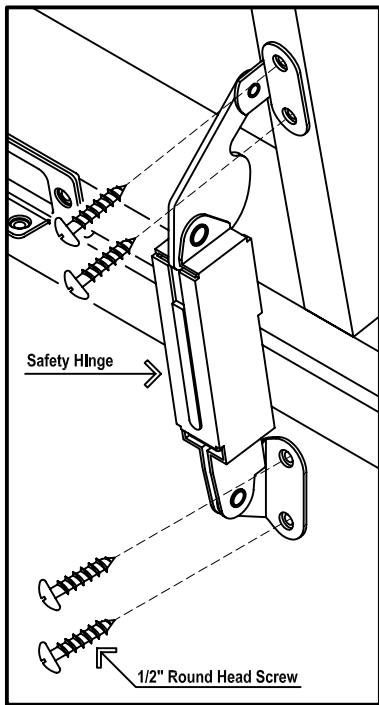
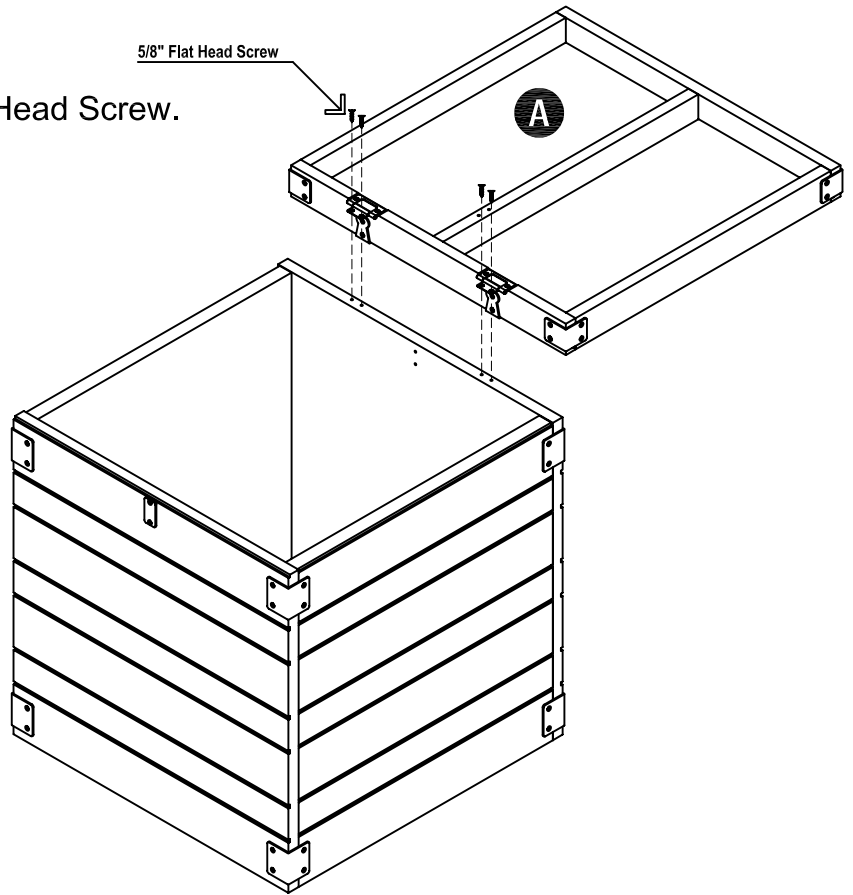


Figure 5

STEP 8

Attach Safety Hinge to unit using 1/2" Round Head Screw.
(See figure 5)

