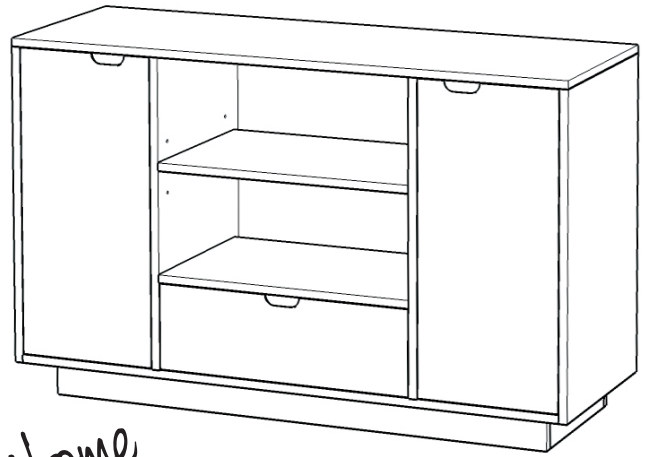


88 5526 101

Nova Entertainment Credenza



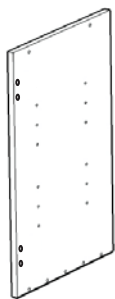
Home Styles

IMPORTANT NOTE

Carefully remove all the parts from the carton and put them individually on a soft cloth to prevent scratches or other damages occurring to the parts.

We have taken great care in the design of this product and request that you carefully and strictly follow our assembly instructions to ensure a completed product as it was designed.

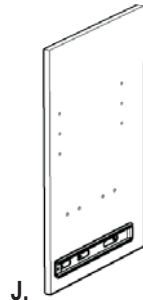
Part List



H. Side Panel
1 pc.



I. Side Panel
1 pc.



J. Middle Panel
1 pc.



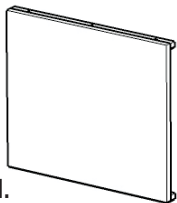
K. Middle Panel
1 pc.



L. Door
1 pc.



M. Door
1 pc.



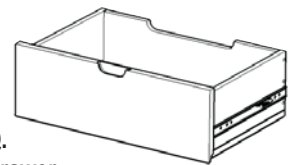
N. Back Panel
1 pc.



O. Back Panel
1 pc.



P. Back Panel
2 pcs.



Q. Drawer
1 pc.

(Knock-Down Construction, please refer to the last page of these instructions for drawer assembly steps)

Hardware List



Hex Wrench
1 pc.



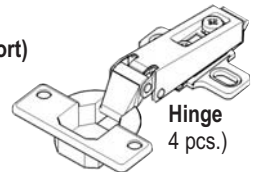
Cam Lock
10 pcs.
(+1 extra)



Wood Screw (long) for Drawer Side
15 pcs. (+1 extra)



Wood Screw (short) for Front
6 pcs. (+1 extra)



Hinge
4 pcs.)



Small Hex Wrench
1 pc.



Cam Lock Screw
10 pcs. (+1 extra)



Head Cap Bolt
41 pcs. (+1 extra)



Adjustable Pin
20 pcs. (+1 extra)



Wood Screw (short) for Door
16 pcs. (+1 extra)

Tools required for assembly : Phillips screwdriver

Tools recommended for assembly : Level

Home Styles Consumer Assistance Line 888-680-7460 and 877-831-0319
servicedesk@homestyles-furniture.com

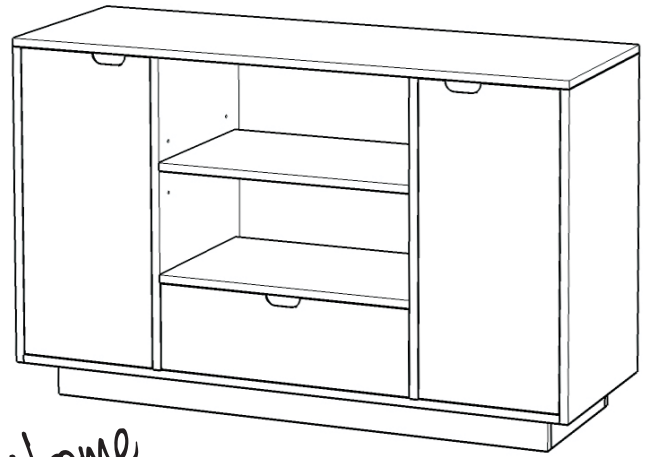
88 5526 102

Nova Entertainment Credenza

IMPORTANT NOTE

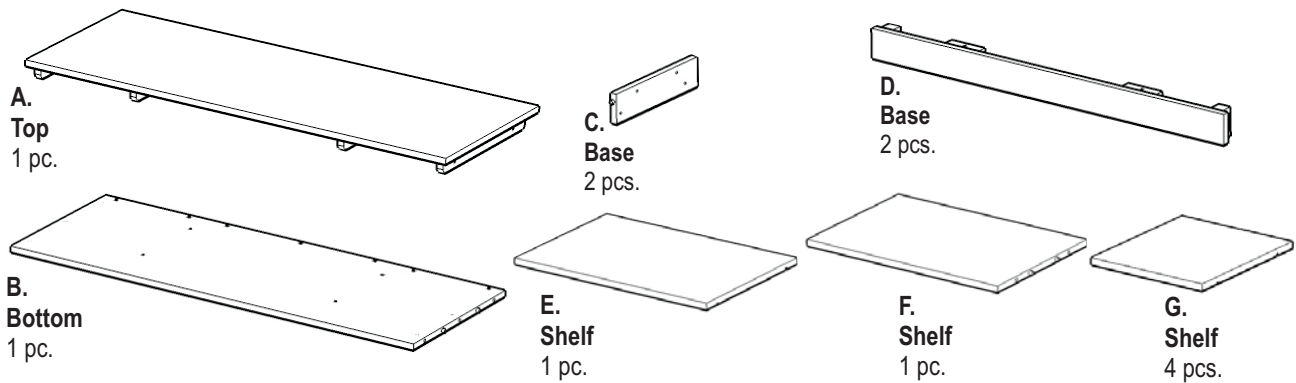
Carefully remove all the parts from the carton and put them individually on a soft cloth to prevent scratches or other damages occurring to the parts.

We have taken great care in the design of this product and request that you carefully and strictly follow our assembly instructions to ensure a completed product as it was designed.



Home Styles

Part List



Also need the following carton 88 5526 101

Part list in carton 88 5526 101

Side Panel (H)	1 pc.
Side Panel (I)	1 pc.
Middle Panel (J)	1 pc.
Middle Panel (K)	1 pc.
Door (L)	1 pc.
Door (M)	1 pc.
Back Panel (N)	1 pc.
Back Panel (O)	1 pc.
Back Panel (P)	2 pcs.
Drawer (Q)	1 pc.

Hardware list in carton 88 5526 101

Hex Wrench	1 pc.
Small Hex Wrench	1 pc.
Cam Lock	11 pc.
Cap Lock Screw	11 pc.
Wood Screw (long) for Drawer Side	16 pc.
Head Cap Bolt	42 pc.
Wood Screw (short) for Front	7 pc.
Adjustable Pin	21 pc.
Hinge	4 pcs.
Wood Screw (short) for Door	17 pc.

For assembly see instruction in Carton 88 5526 101

Home Styles Consumer Assistance Line 888-680-7460 and 877-831-0319
servicedesk@homestyles-furniture.com

IMPORTANT

- * Do not tighten up all the screws until each part is properly assembled.
- * You should keep Hex Wrench in a safe place as you may need to tighten up the Head Cap Bolts in the future.
- * After assembly item must be level to work properly. Use the included adjustable levelers to level.

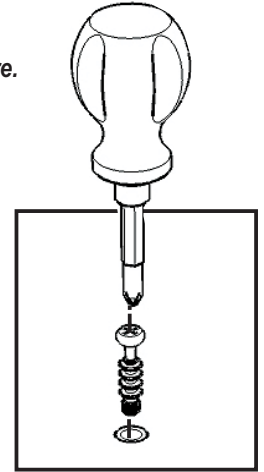
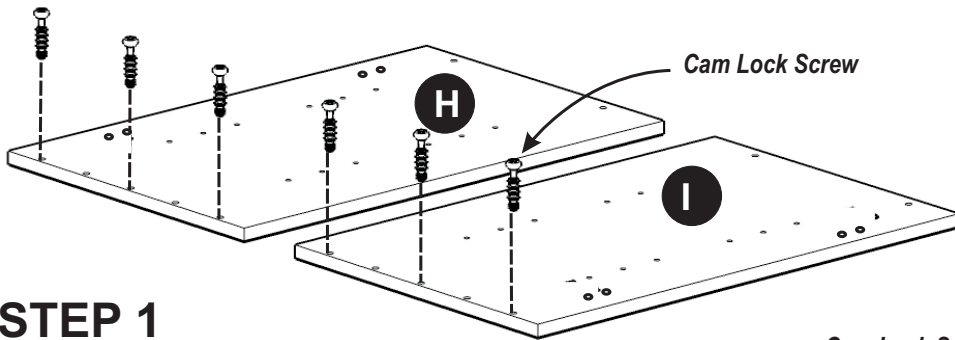
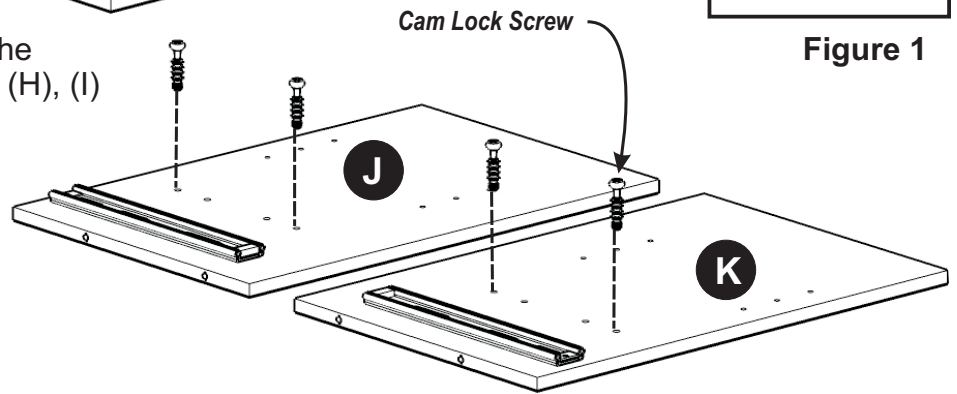


Figure 1

STEP 1

Insert Cam Lock Screws into the pre-drilled holes of Side Panel (H), (I) and Middle Panel (J), (K). (See figure 1)



STEP 2

Attach Side Panel (H) and (I) to the Bottom (B) with Cam Locks. (See figure 2)

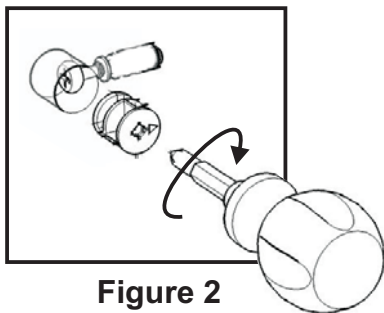


Figure 2

Attach Middle Panel (J) to the Bottom (B) with Head Cap Bolts. (See figure 3)

Attach Shelf (F) to the Side Panel (J) with Cam Locks.

Attach Middle Panel (K) to unit with Cam Locks and Head Cap Bolts.

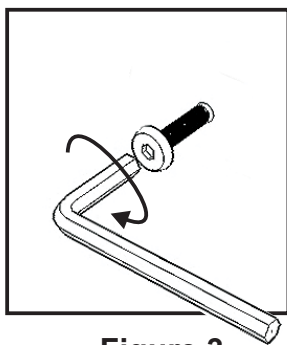
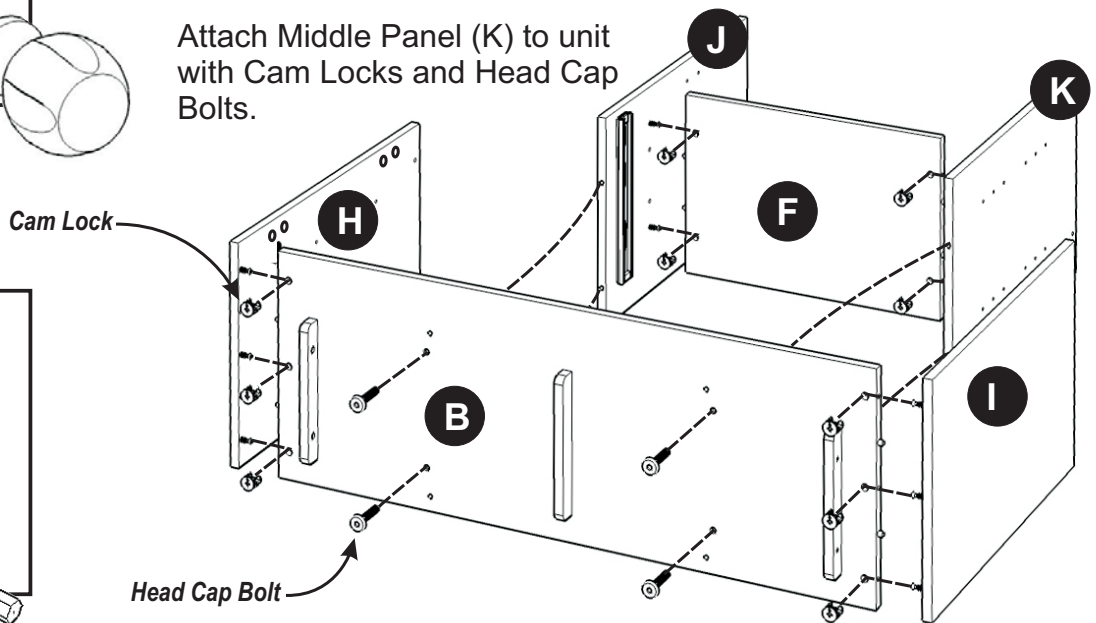
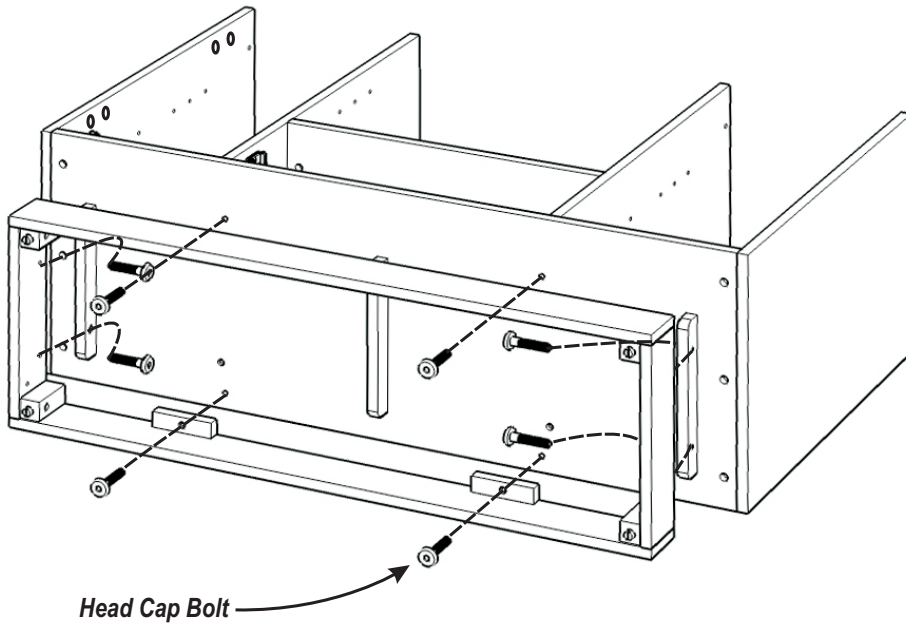
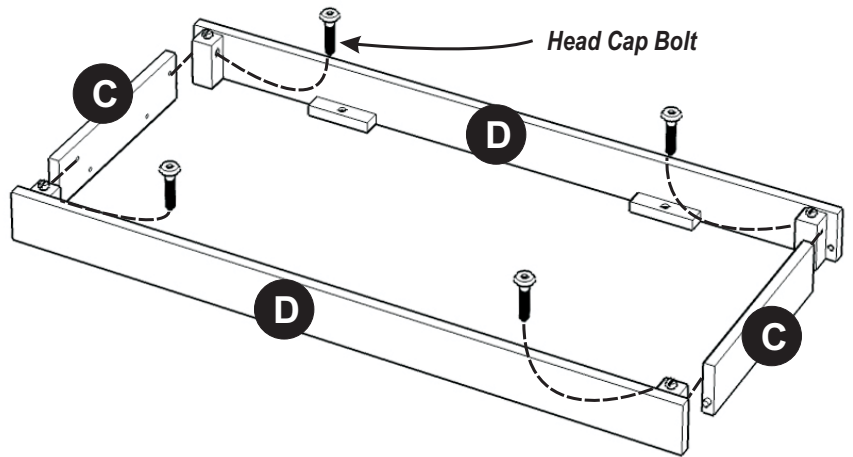


Figure 3



STEP 3

Attach Base (C) to Base (D) with Head Cap Bolts. (See figure 3)

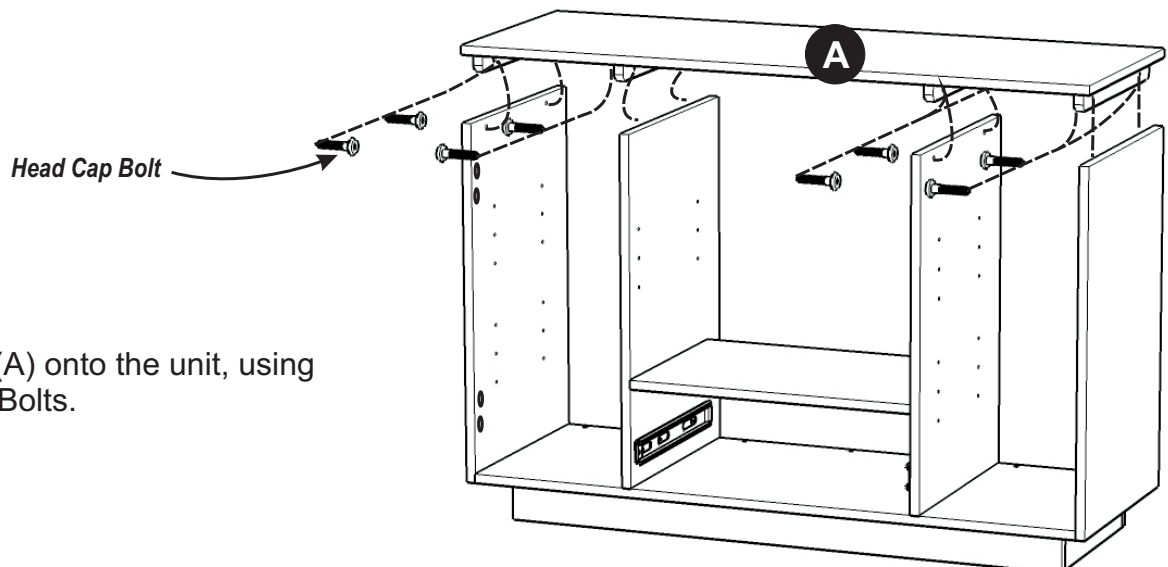


STEP 4

Attach Base unit to the unit with Head Cop Bolts.

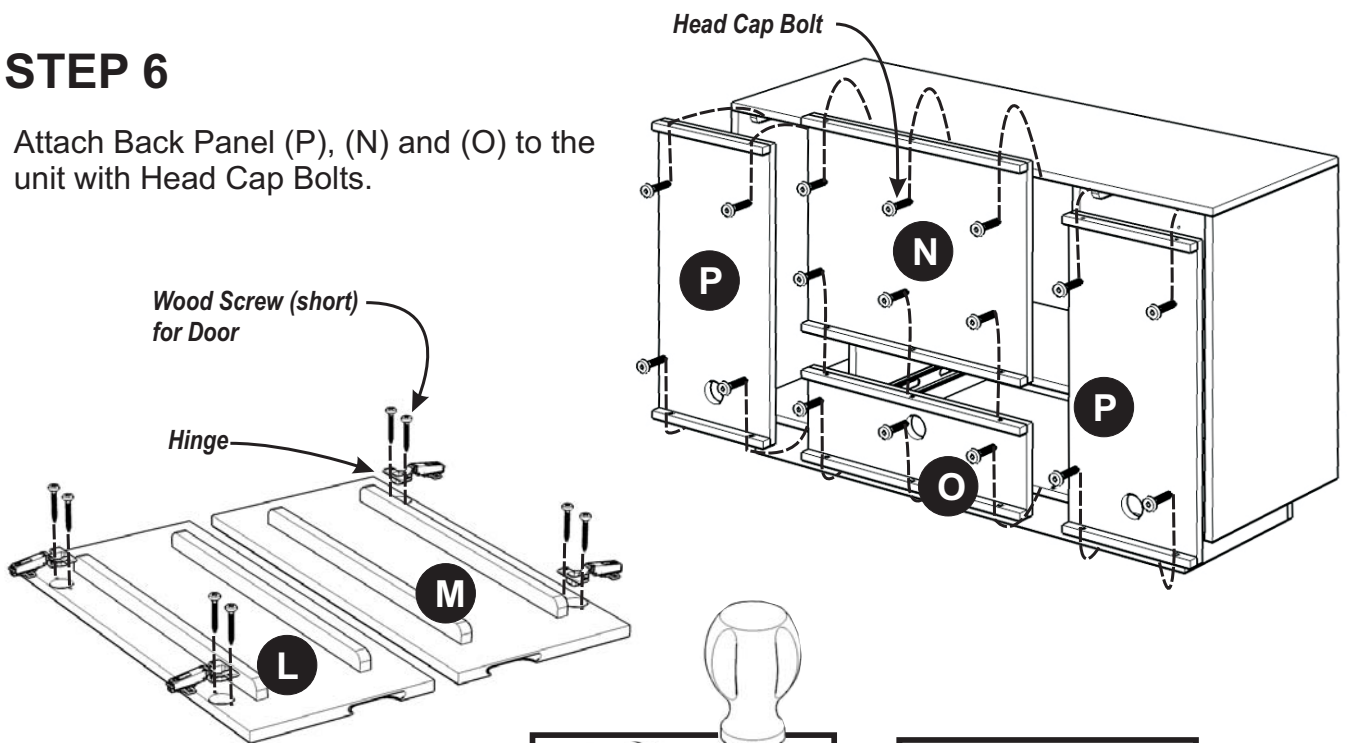
STEP 5

Place Top (A) onto the unit, using Head Cap Bolts.



STEP 6

Attach Back Panel (P), (N) and (O) to the unit with Head Cap Bolts.



STEP 7

Attach Hinge to Door (L) and (M) with Wood Screws. (See figure 4)

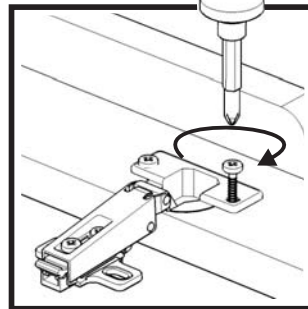
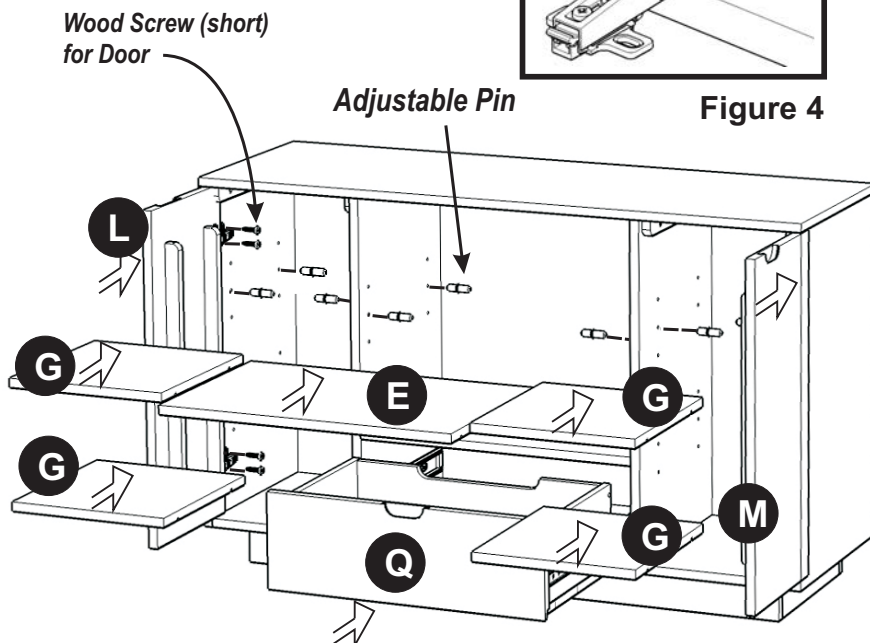


Figure 4

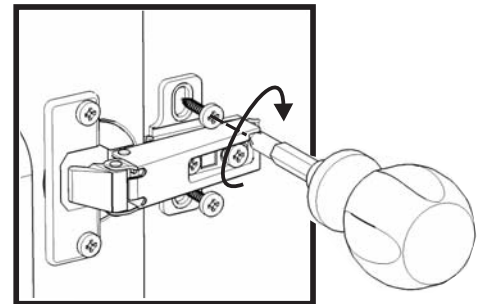


Figure 5

STEP 8

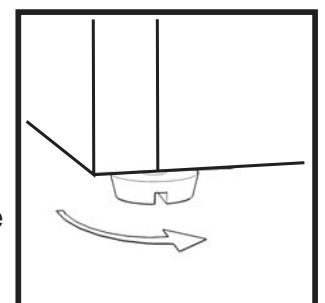
Slide Drawer (Q) into place.

Insert Adjustable Pin into side panels and middle panels at the desired level.

Slide Shelf (G) and (E) into position.

Attach Doors (L) and (M) to the side panels with Wood Screws. (See figure 5)

To level the unit, adjust the adjustable levelers on the bottom of legs.



Drawer (Q)

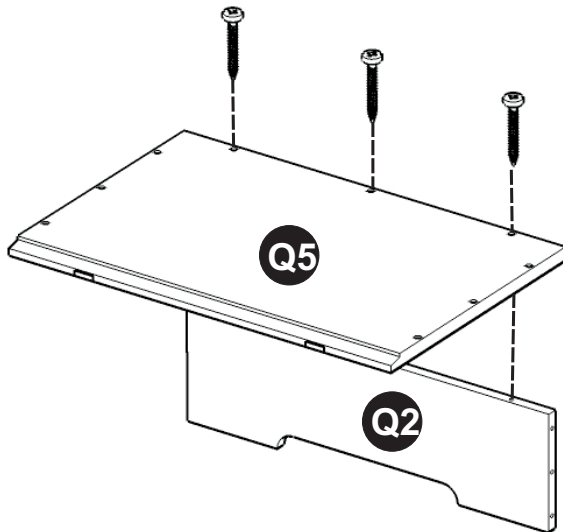
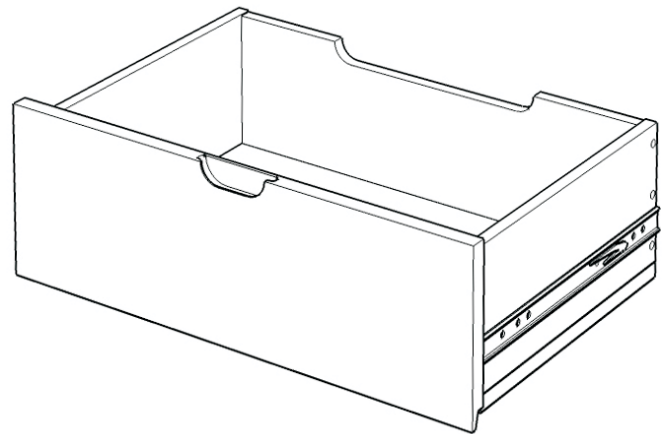


Figure 1



STEP 1

Attach Q2 to Q5, using a Phillips screwdriver and long wood screws (3X), tighten halfway. (see Figure 1)

STEP 2

Attach Q3 and Q4 to the unit with long wood screws (12X), tighten halfway.

Attach Q1 to Q5 with short wood screws (6X). (see Figure 2)

Tighten all screws used in drawer assembly.

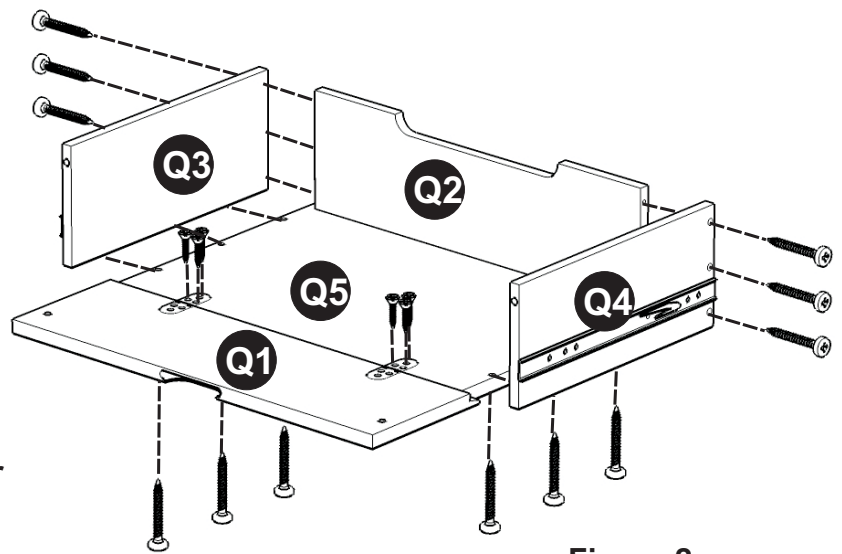
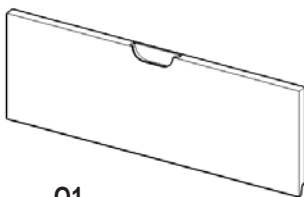
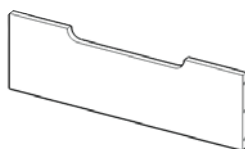


Figure 2

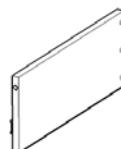
Part List



Q1.
Front Part
1 pc.



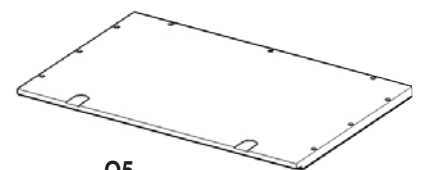
Q2.
Back Part
1 pc.



Q3.
Side Part
1 pc.



Q4.
Side Part
1 pc.



Q5.
Base Part
1 pc.