

88 5529 101 Chesapeake Entertainment Credenza

IMPORTANT NOTE

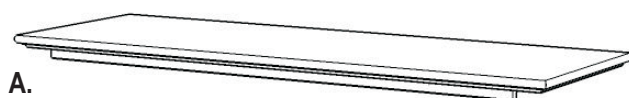
Carefully remove all the parts from the carton and put them individually on a soft cloth to prevent scratches or other damages occurring to the wood parts.

We have taken great care in the design of this product and request that you carefully and strictly follow our assembly instructions to ensure a completed product as it was designed.



Casual Attire For Today's Home

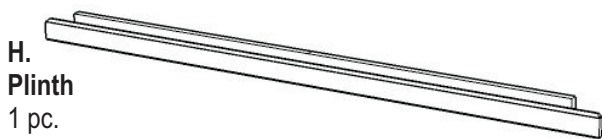
Part List



A.
Top
1 pc.



J.
Back Panel
1 pc.



H.
Plinth
1 pc.



K.
Back Panel
2 pcs.



I.
Base
1 pc.

Hardware List



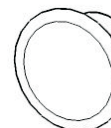
Cam Lock Screw
23 pcs.(+1 extra)



Magnet
4 pcs.



Adjustable Pin
20 pcs.(+1 extra)



Pull Handle
4 pcs.



Cam Lock
23 pcs.(+1 extra)



**Wood Screw
for Magnet**
8 pcs.(+1 extra)



**Wood Screw
for Back Panel**
12 pcs.(+1 extra)



Machine Screw
4 pcs.

For assembly see instructions in carton 88 5529 102

Tools required for assembly : Philips screwdriver

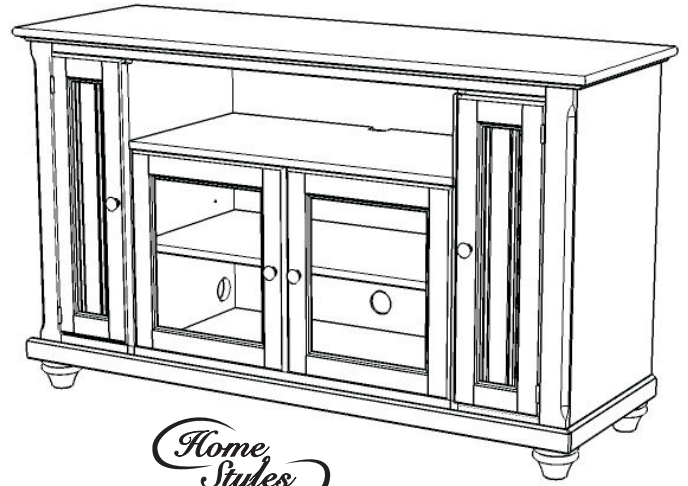
**Home Styles Consumer Assistance Line 888-680-7460 and 877-831-0319
servicedesk@homestyles-furniture.com**

88 5529 102 Chesapeake Entertainment Credenza

IMPORTANT NOTE

Carefully remove all the parts from the carton and put them individually on a soft cloth to prevent scratches or other damages occurring to the wood parts.

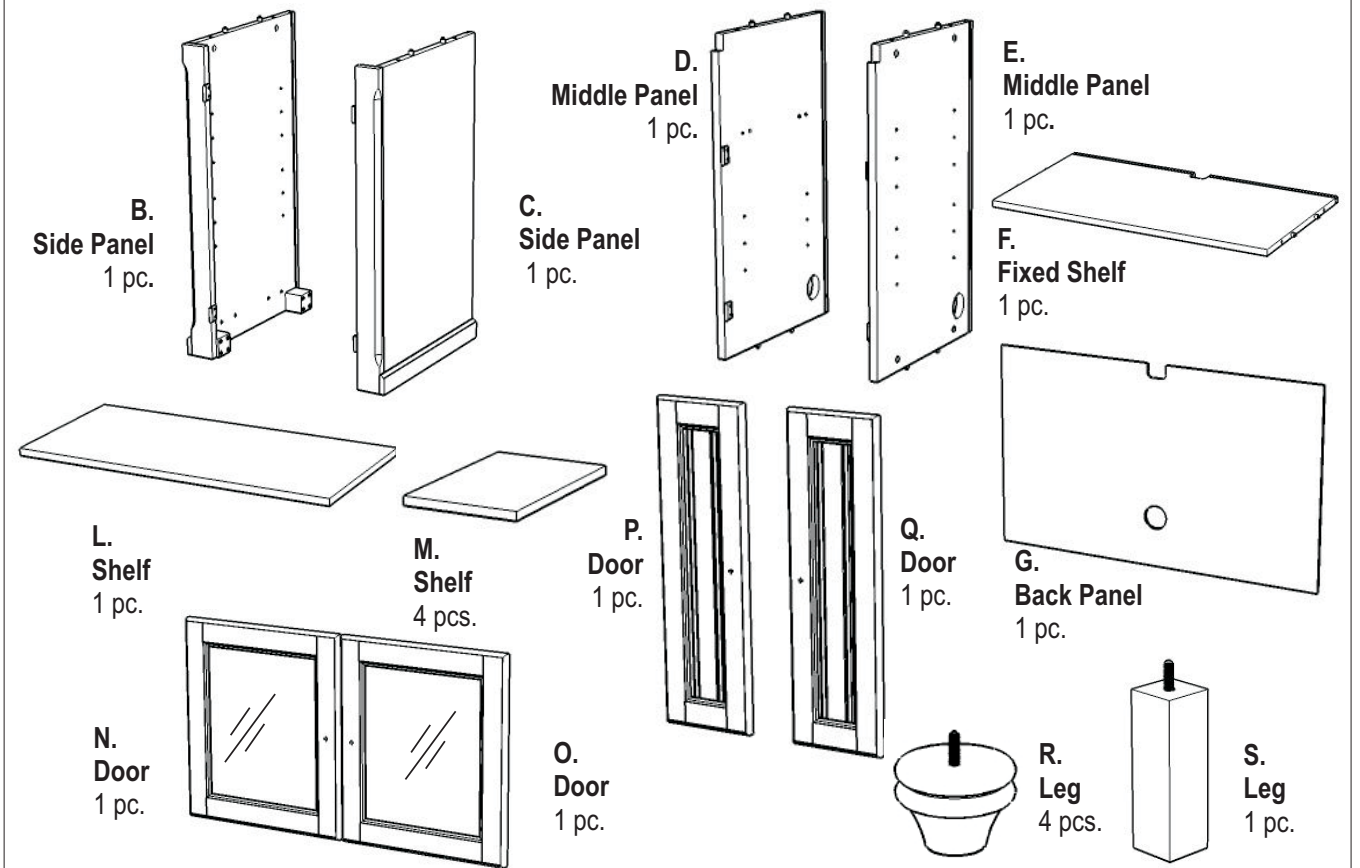
We have taken great care in the design of this product and request that you carefully and strictly follow our assembly instructions to ensure a completed product as it was designed.



*Home
Styles*

Casual Attire For Today's Home

Part List (in this carton)



Also need the following from carton 88 5529 101 :

Part List in carton 88 5529 101

Top (A)	
Plinth (H)	1 pc.
Base (I)	1 pc.
Back Panel (J)	1 pc.
Back Panel (K)	1 pc.
	2 pcs.

Hardware List in carton 88 5529 101

Cam Lock Screw	24 pcs.
Cam Lock	24 pcs.
Magnet	4 pcs.
Wood Screw for Magnet	9 pcs.
Wood Screw for Back Panels	13 pcs.
Adjustable Pin	21 pcs.
Pull Handle	4 pcs.
Machine Screw	4 pcs.

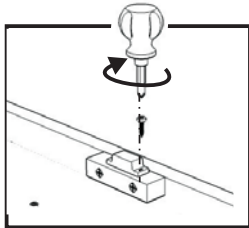
Tools required for assembly : Philips screwdriver

**Home Styles Consumer Assistance Line 888-680-7460 and 877-831-0319
servicedesk@homestyles-furniture.com**

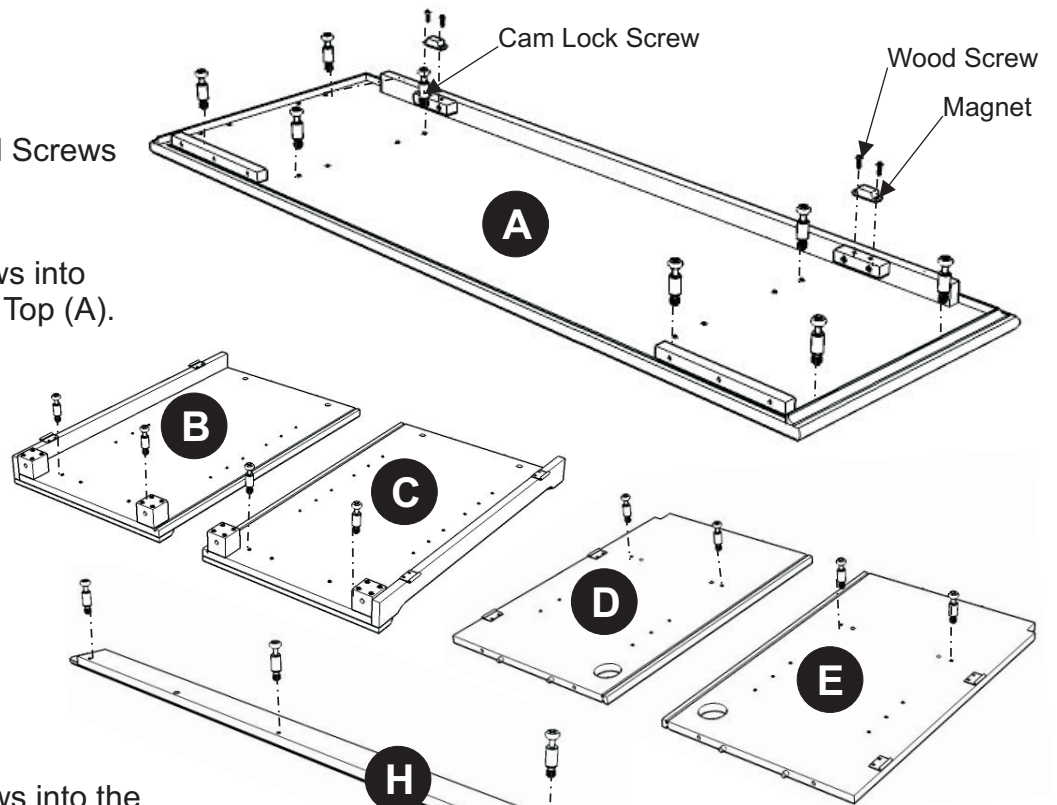
STEP 1

Attach 2X Magnets to Top (A) by using Wood Screws in the pre-drilled holes (See figure 1).

Insert Cam Lock Screws into the pre-drilled holes of Top (A).

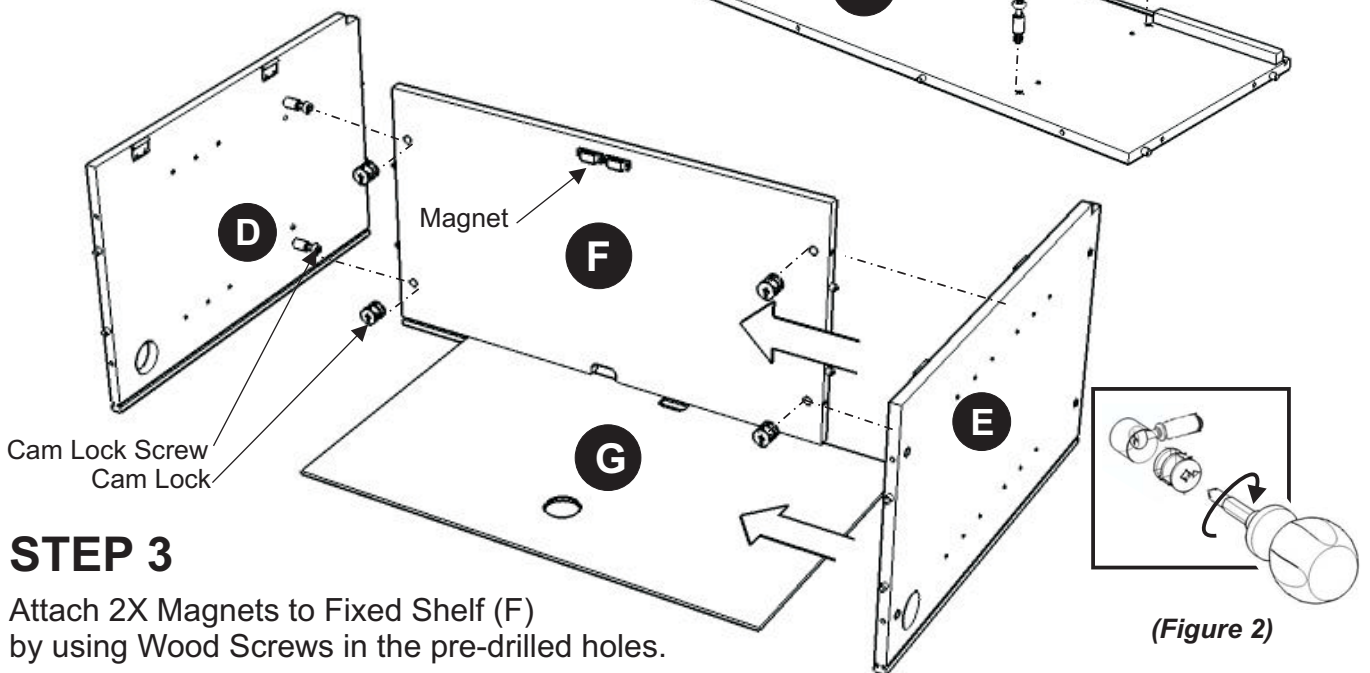


(Figure 1)



STEP 2

Insert Cam Lock Screws into the pre-drilled holes of Side Panel (B) and (C), Middle Panel (D) and (E), Plinth (H) and Base (I).



(Figure 2)

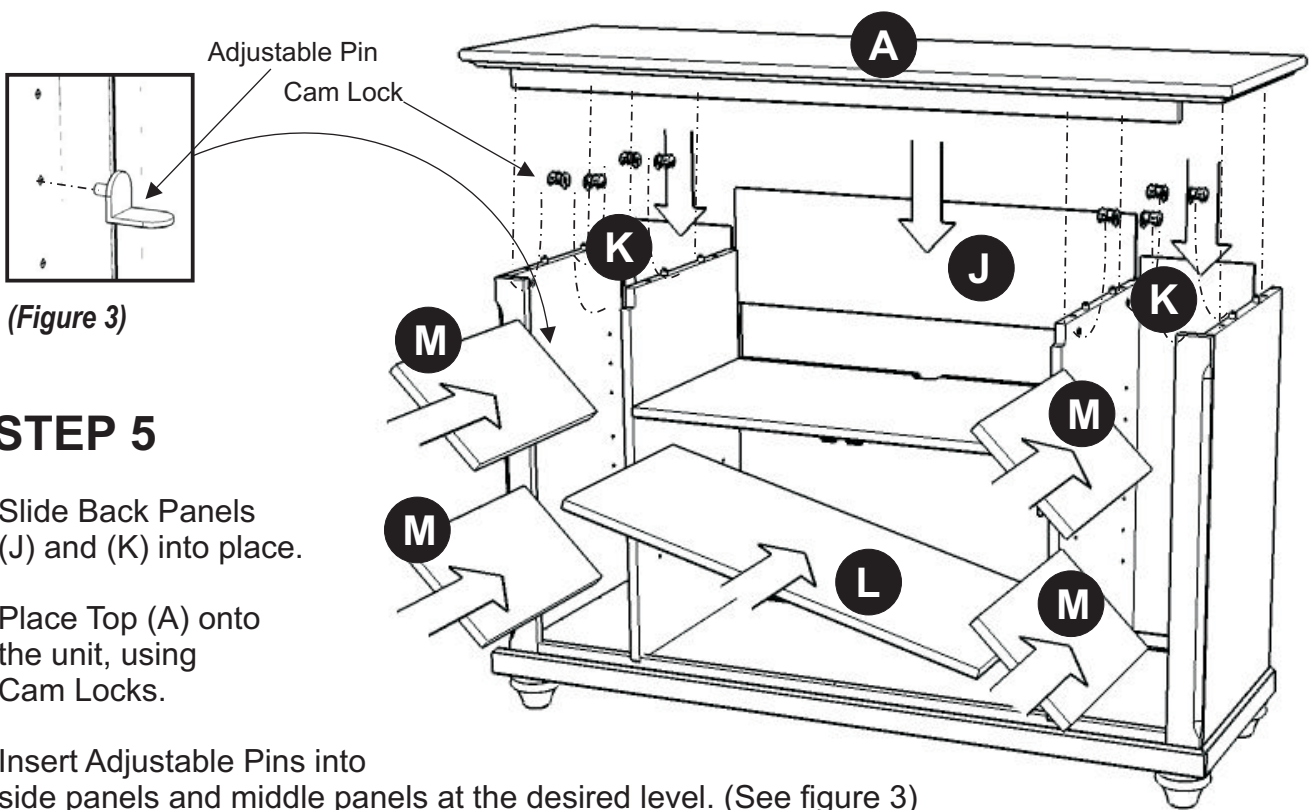
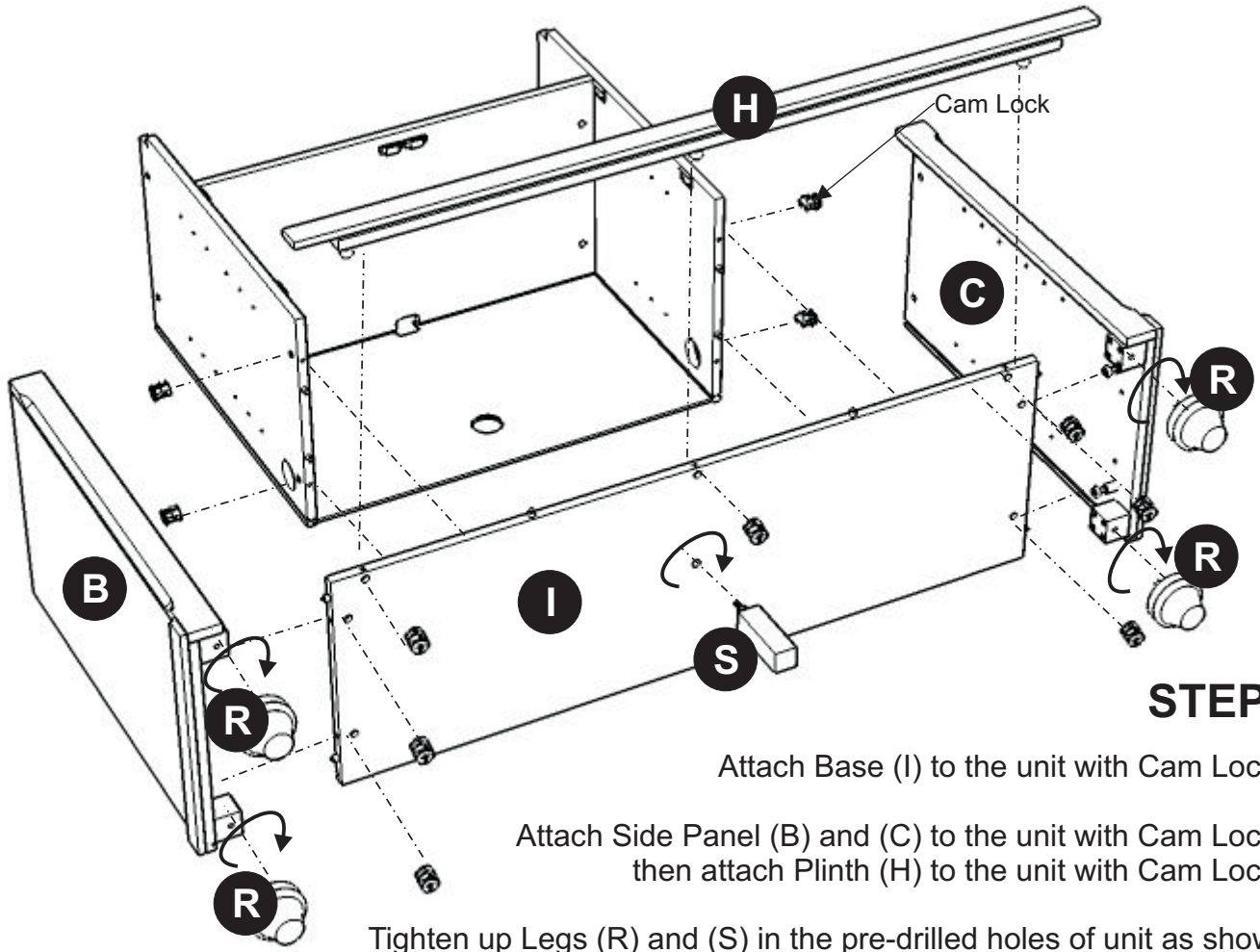
STEP 3

Attach 2X Magnets to Fixed Shelf (F) by using Wood Screws in the pre-drilled holes.

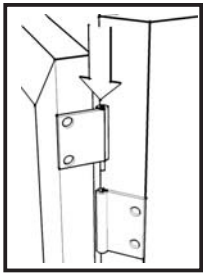
Attach Fixed Shelf (F) to Middle Panel (D) with Cam Locks (See figure 2), then slide Back Panel (G) into position.

Attach Middle Panel (E) to the unit with Cam Locks.

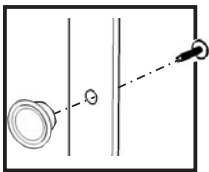
Assembly Instructions 3/4



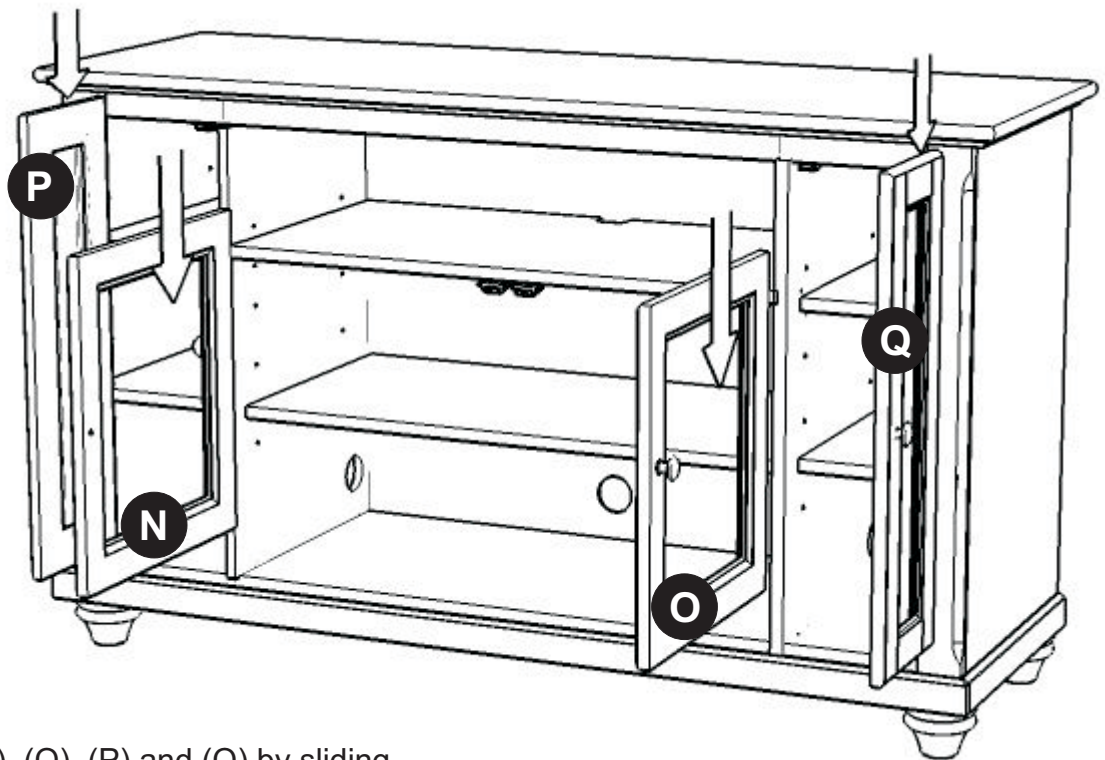
(Figure 3)



(Figure 4)



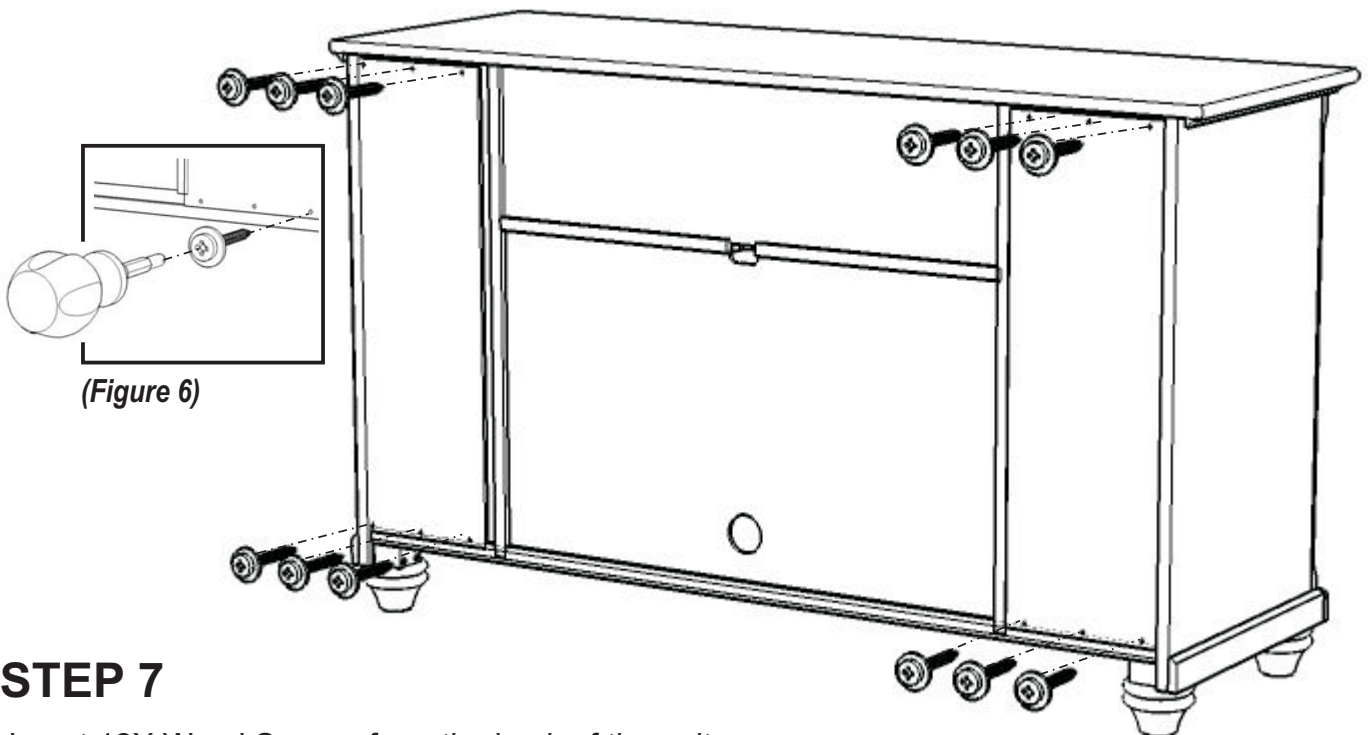
(Figure 5)



STEP 6

Attach Doors (N), (O), (P) and (Q) by sliding the door lift hinges into the side panels lift hinges. (See figure 4)

Assemble Pull Handles to Doors with Machine Screws. (See figure 5)



(Figure 6)

STEP 7

Insert 12X Wood Screws from the back of the unit, tighten up all the Wood Screws. (See figure 6)

Note: Please make sure unit is level before tightening these screws.