

# 88 5531 100 Bedford Compact TV Credenza

## IMPORTANT NOTE

Carefully remove all the parts from the carton and put them individually on a soft cloth to prevent scratches or other damages occurring to the wood parts.

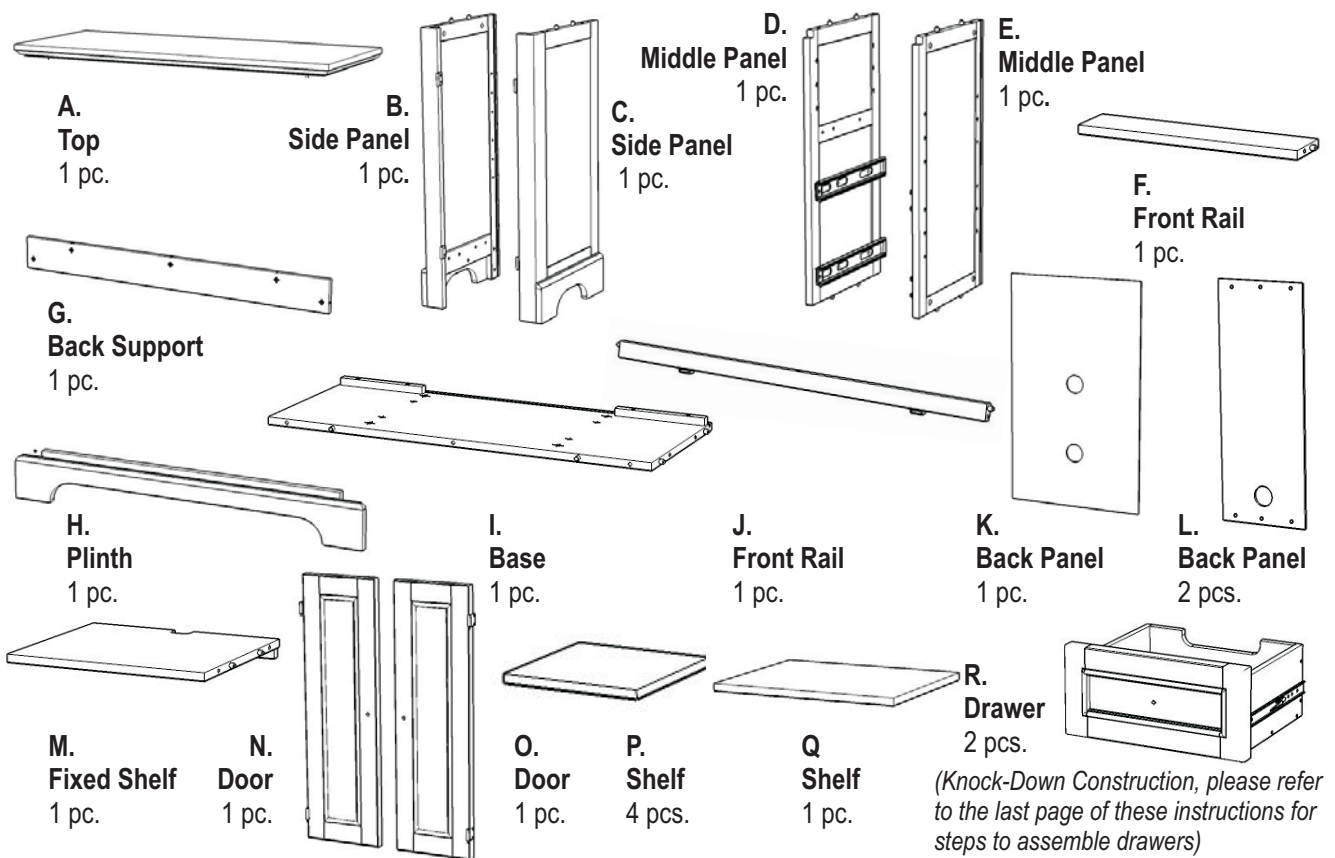
We have taken great care in the design of this product and request that you carefully and strictly follow our assembly instructions to ensure a completed product as it was designed.



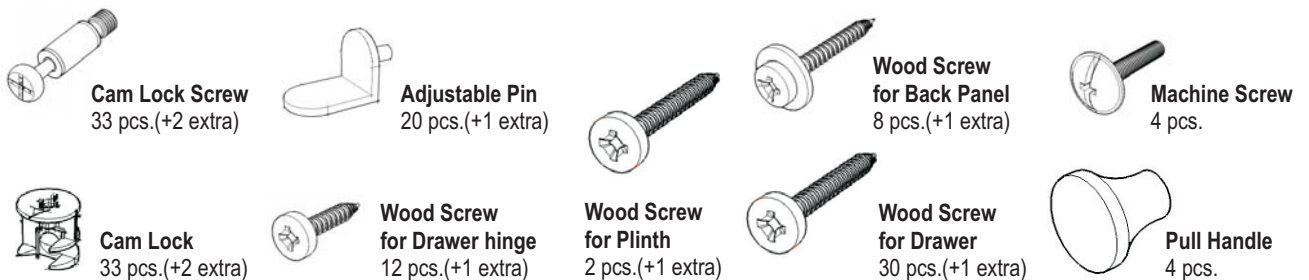
Casual Attire For Today's Home



## Part List



## Hardware List



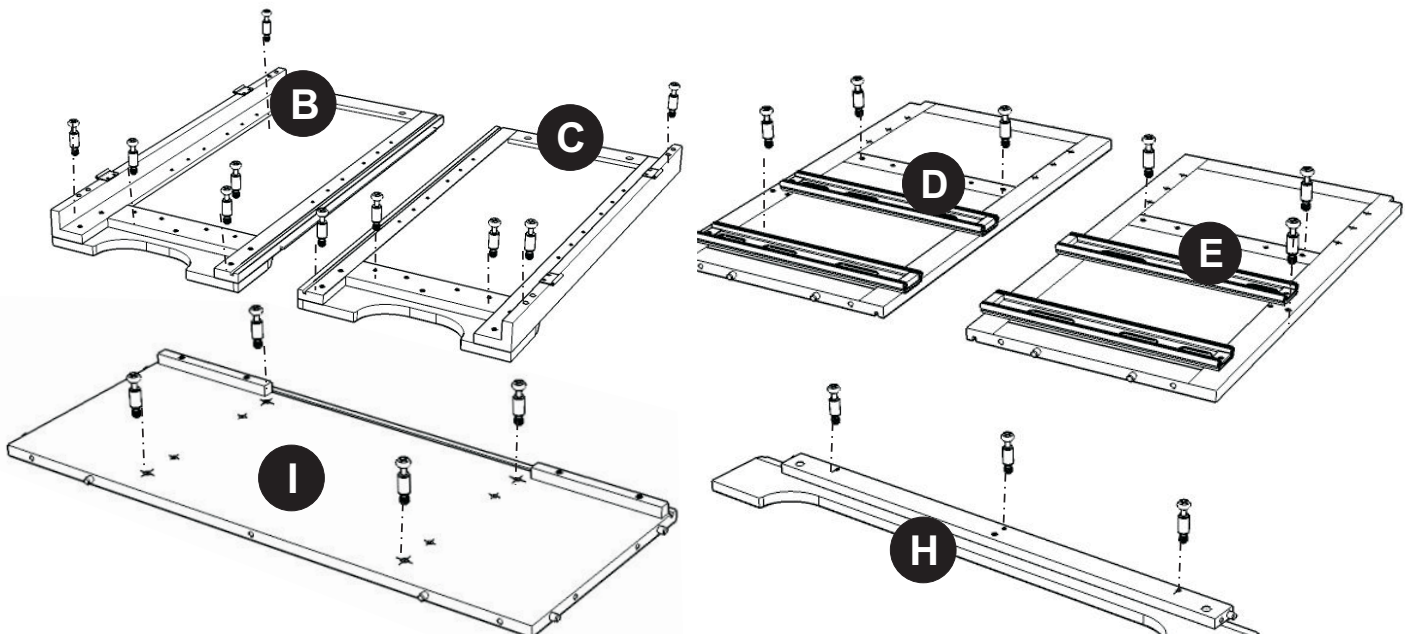
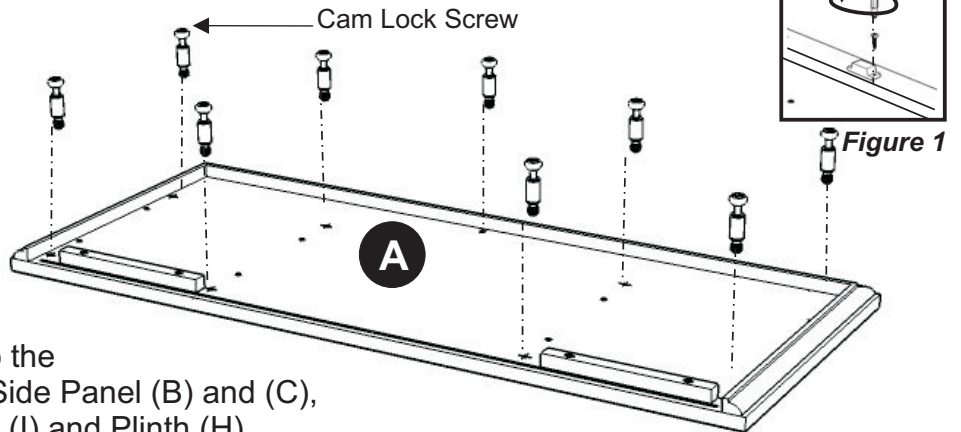
Tools required for assembly: **Phillips** screwdriver

Home Styles Consumer Assistance Line 888-680-7460 and 877-831-0319  
servicedesk@homestyles-furniture.com

## STEP 1

Attach 2X Magnets to Top (A) by using Wood Screws in the pre-drilled holes (see Figure 1).

Insert Cam Lock Screws into the pre-drilled holes of Top (A), Side Panel (B) and (C), Middle Panels (D), (E), Base (I) and Plinth (H).



## STEP 2

Attach Fixed Shelf (M) and Front Rail (F) to Middle Panel (E) with Cam Locks.

Attach Middle Panel (D) to unit with Cam Locks. (see Figure 2)

Slide Back Panel (K) into position, then attach Base (I) to unit with Cam Locks.

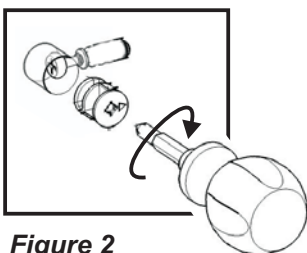
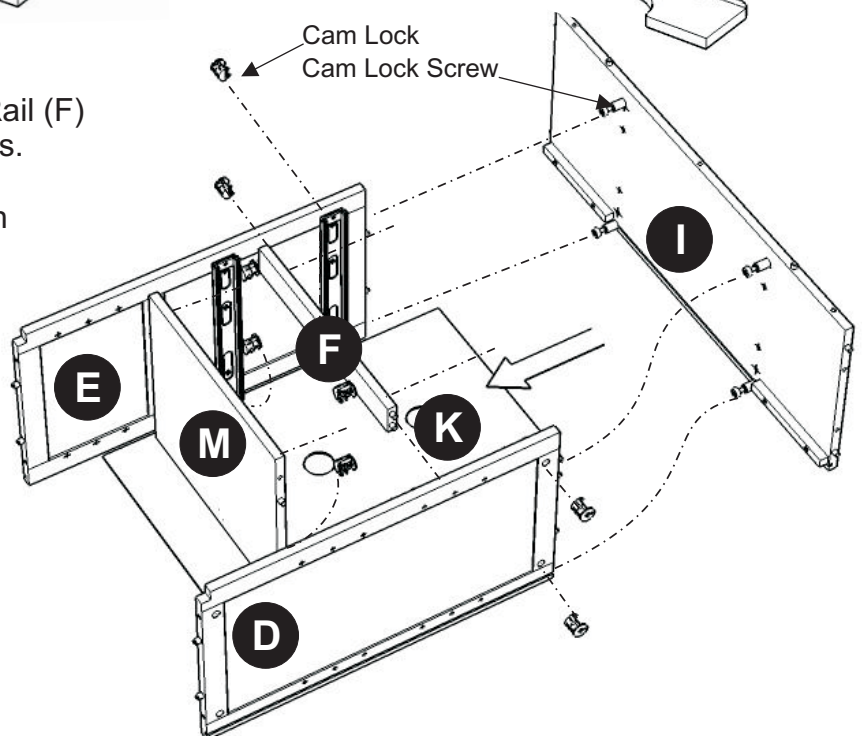


Figure 2

## STEP 3

Attach Plinth (H) to unit with Cam Locks.

Attach Side Panel (B), Front Rail (J) and Side Panel (C) to unit with Cam Locks.

Attach Back Support (G) to unit with Cam Locks Screws and Cam Locks.

Tighten 2X wood screws into Plinth.

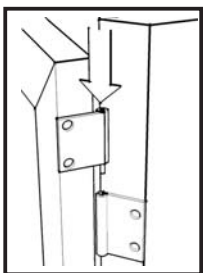
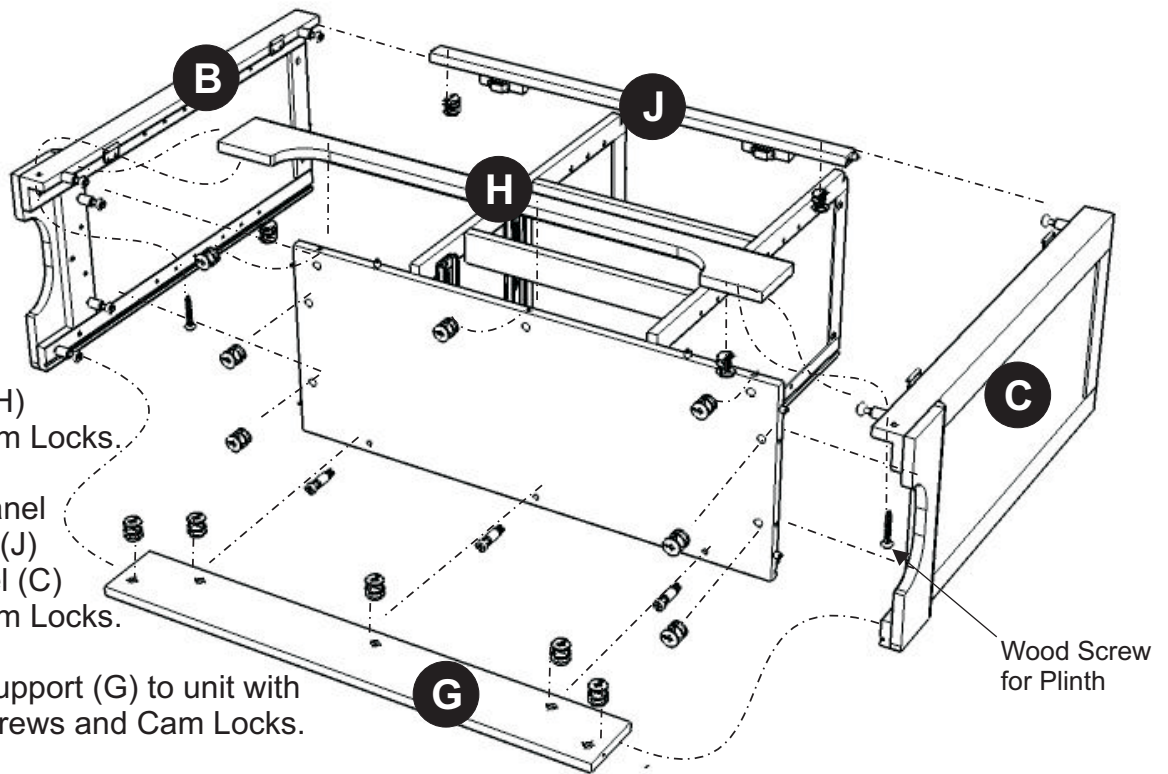


Figure 3

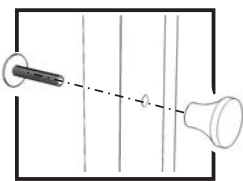


Figure 4

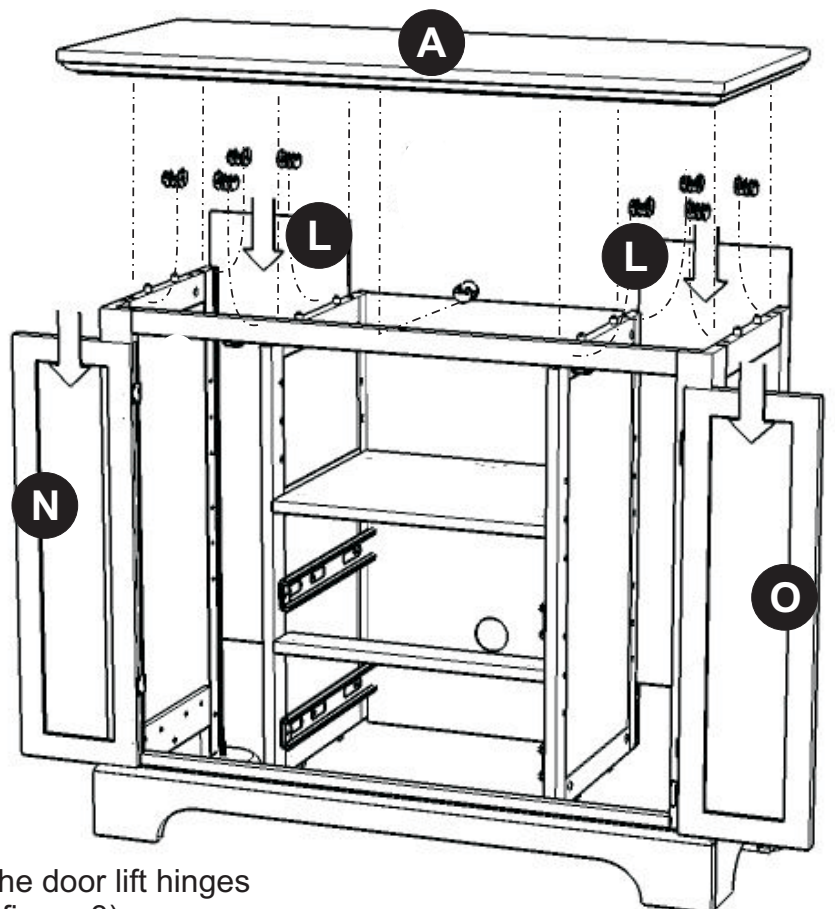
## STEP 4

Slide Back Panels (L) into position.

Place Top (A) onto the unit with Cam Locks.

Attach Doors (N) and (O) by sliding the door lift hinges into the side panels' lift hinges. (See figure 3)

Assemble Pull Handles to Doors with Machine Screws. (See figure 4)



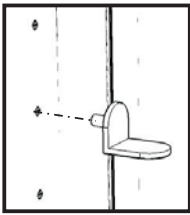
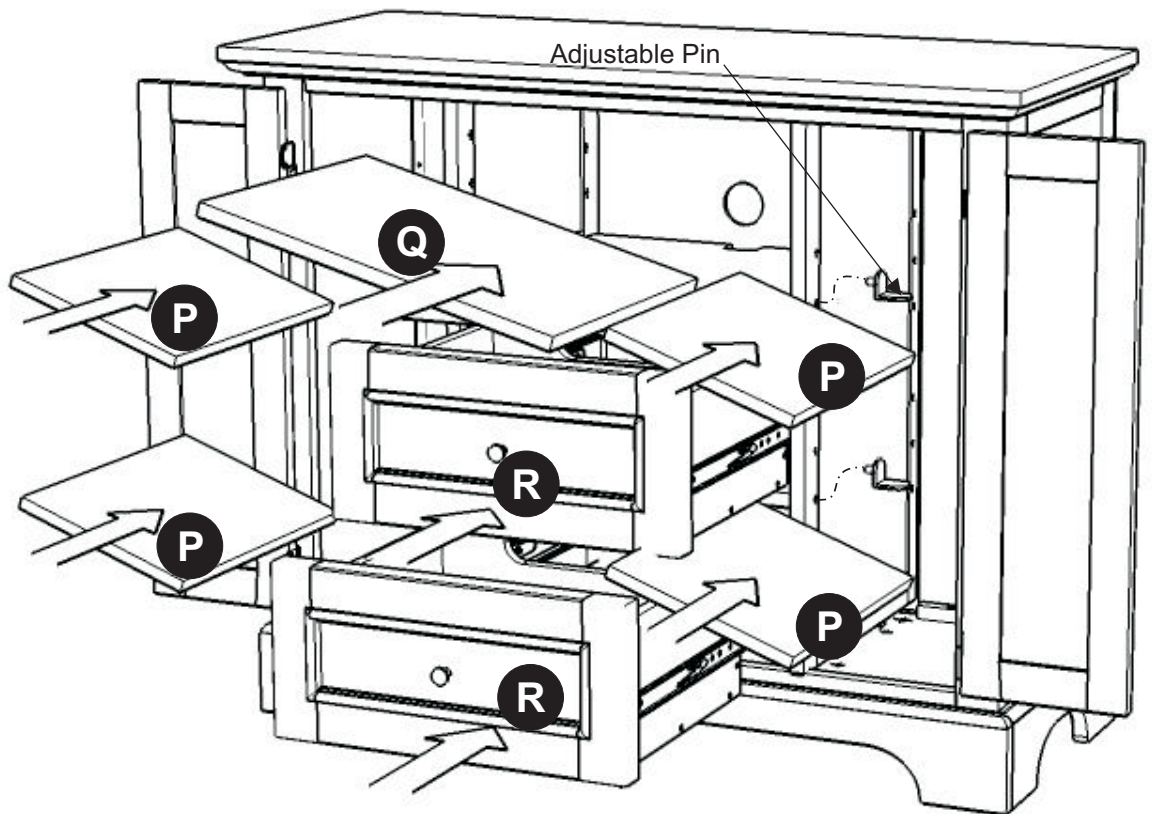


Figure 5



## STEP 6

Insert Adjustable Pins into side panels and middle panels at the desired level. (See figure 5)

Place Shelves (P), (Q) and Drawer (R) into position.

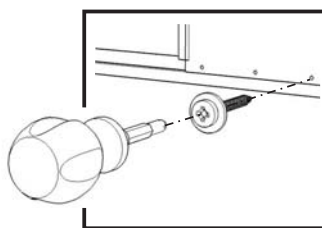
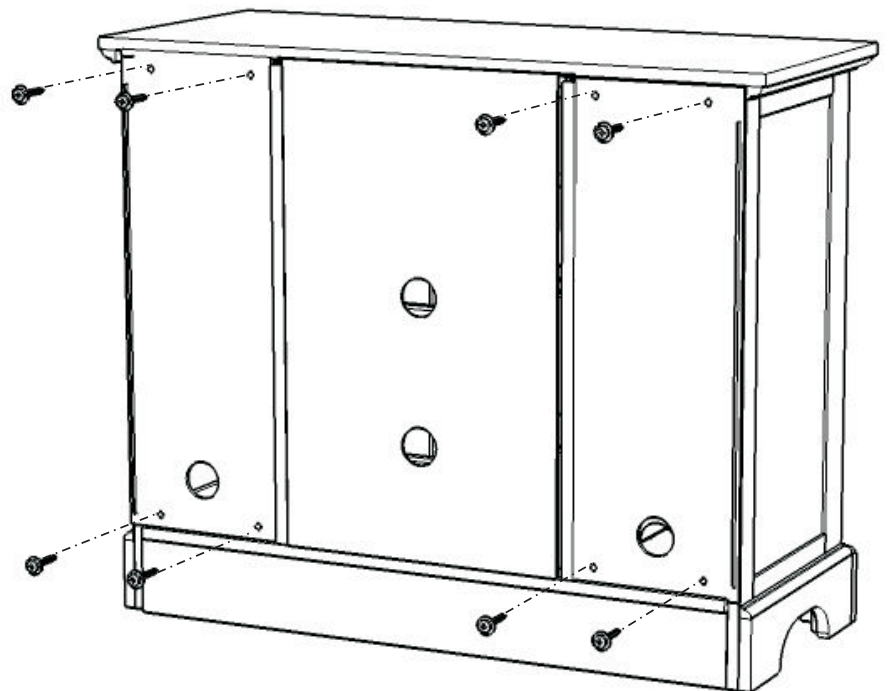


Figure 6

## STEP 7

Insert 12X Wood Screws from the back of the unit, tighten up all the Wood Screws. (See figure 6)



**Note:** Please make sure unit is level before tightening these screws.

# Drawer (R)

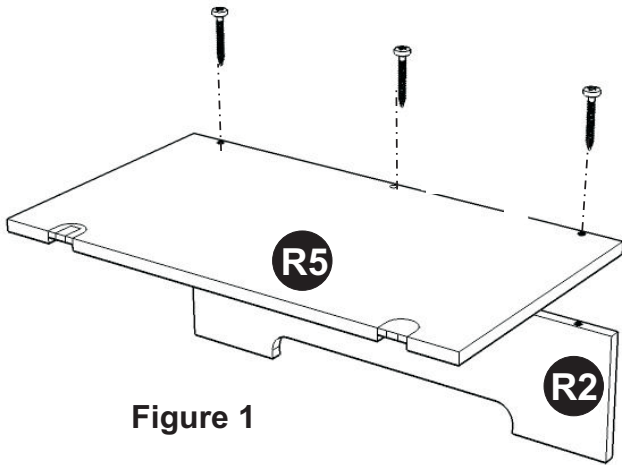
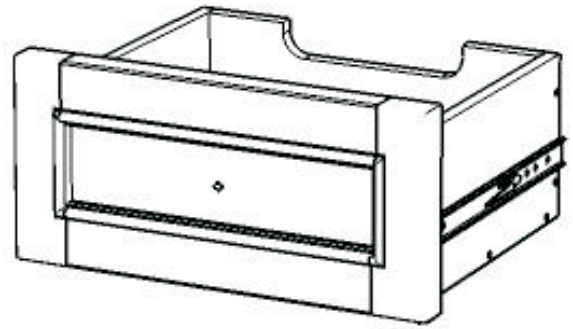


Figure 1



## STEP 1

Attach R2 to R5, using a Phillips screwdriver and long wood screws (4X), tighten halfway. (see Figure 1)

## STEP 2

Attach R3 and R4 to the unit with long wood screws (12X), tighten halfway.

Attach R1 to R5 with short wood screws (6X). (see Figure 2)

**Tighten all screws used in drawer assembly.**

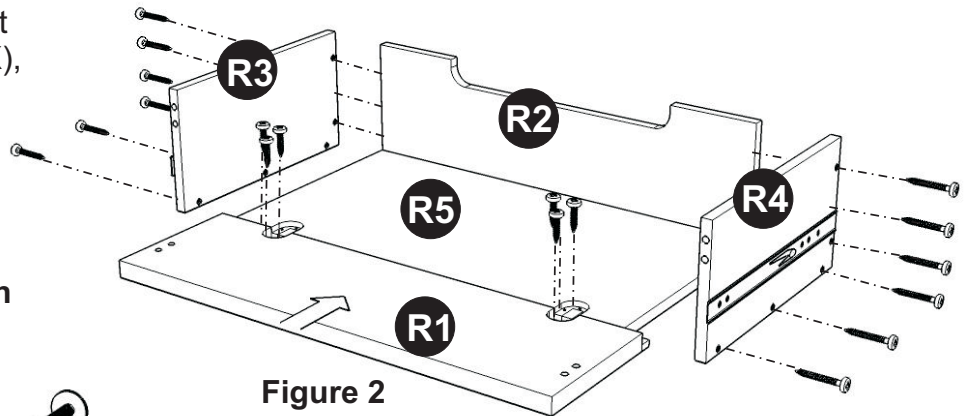


Figure 2

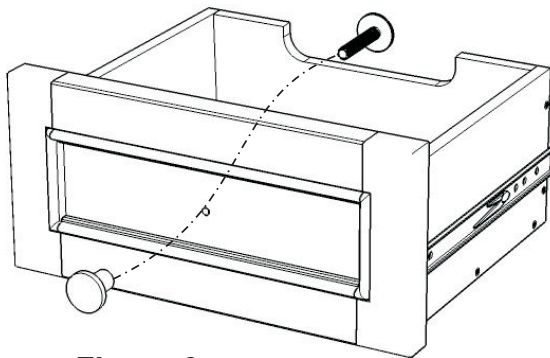
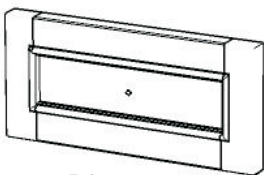


Figure 3

## STEP 3

Assemble Pull Handle with machine screw. (see Figure 3)

## Part List



R1.  
Front Part  
2 pcs.



R2.  
Back Part  
2 pcs.



R3.  
Side Part  
2 pcs.



R4.  
Side Part  
2 pcs.



R5.  
Base Part  
2 pcs.