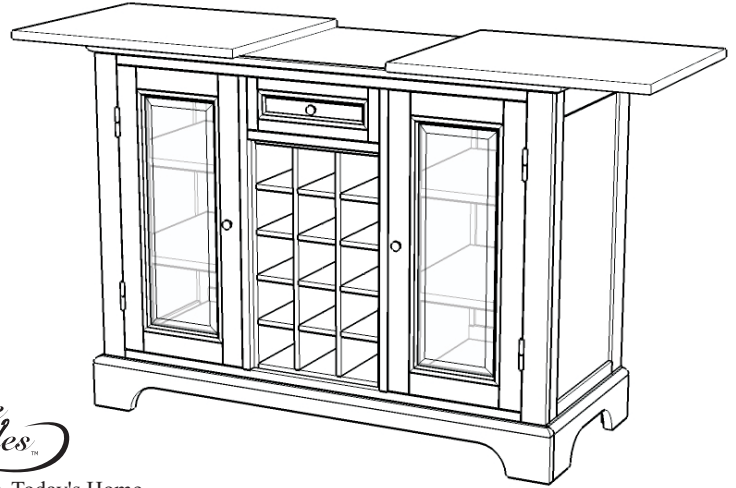


88 5531 991 Bedford Bar Cabinet



IMPORTANT NOTE

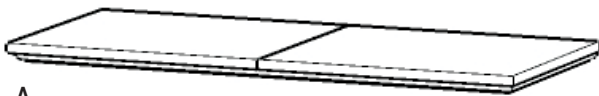
Carefully remove all the parts from the carton and put them individually on a soft cloth to prevent scratches or other damages occurring to the wood parts.

We have taken great care in the design of this product and request that you carefully and strictly follow our assembly instructions to ensure a completed product as it was designed.



Casual Attire For Today's Home

Part List



A.
Top
1 pc.



F.
Base
1 pc.



G.
Plinth
1 pc.



Q.
Front Stretcher
1 pc.

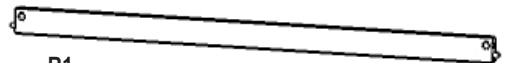
P1.
Rack
2 pcs.



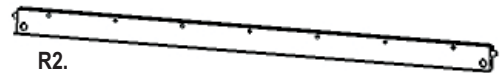
P2.
Rack
4 pcs.



N.
Center Shelf
1 pc.



R1.
Back Stretcher
1 pc.



R2.
Back Stretcher
1 pc.

Hardware List



Hex Wrench
1 pc.



Cam Lock
22 pcs. (+1 extra)



Wood Screw (short)
28 pcs. (+1 extra)



Machine Screw
3 pcs.



Small Hex Wrench
1 pc.



Adjustable Pin
20 pcs. (+2 extra)



Cam Lock Screw
22 pcs. (+1 extra)



Wood Screw (long)
20 pcs. (+1 extra)



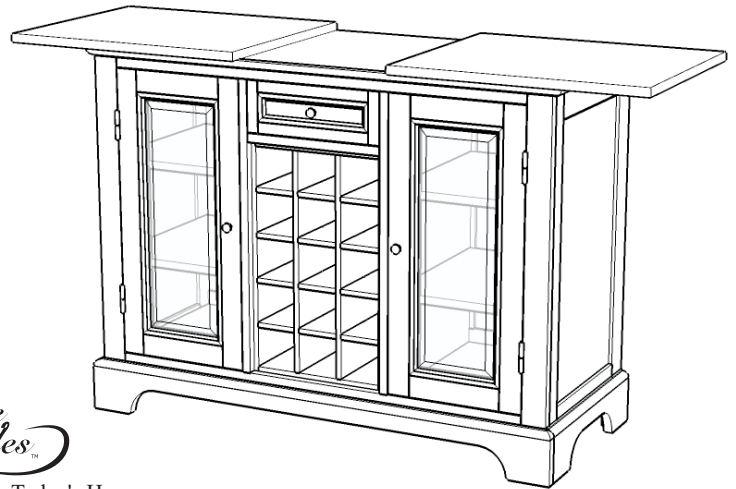
Pull Handle
3 pcs.

For assembly see instructions in carton 88 5531 992

Tools required for assembly : Phillips screwdriver

Home Styles Consumer Assistance Line 888-680-7460 and 877-831-0319
servicedesk@homestyles-furniture.com

88 5531 992 Bedford Bar Cabinet



IMPORTANT NOTE

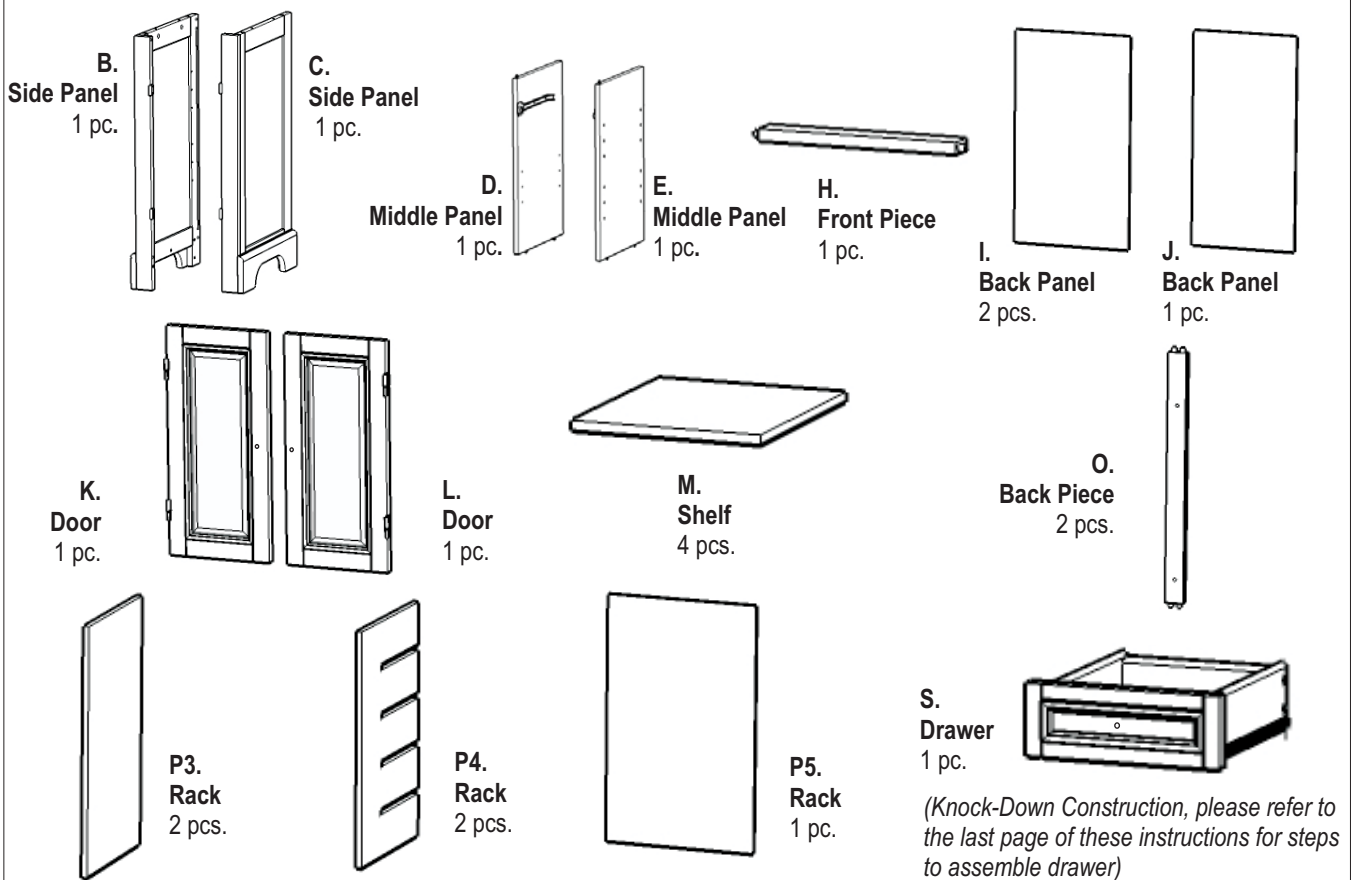
Carefully remove all the parts from the carton and put them individually on a soft cloth to prevent scratches or other damages occurring to the wood parts.

We have taken great care in the design of this product and request that you carefully and strictly follow our assembly instructions to ensure a completed product as it was designed.



Casual Attire For Today's Home

Part List (in this carton)



Also need the following from carton 88 5531 991 :

Part List in carton 88 5531 991

Top (A)	1 pc.
Base (F)	1 pc.
Plinth (G)	1 pc.
Center Shelf (N)	1 pc.
Rack (P1)	2 pcs.
Rack (P2)	4 pcs.
Front Stretcher (Q)	1 pc.
Back Stretcher (R1)	1 pc.
Back Stretcher (R2)	1 pc.

Hardware List in carton 88 5531 991

Hex Wrench	1 pc.
Small Hex Wrench	1 pc.
Cam Lock Screw	23 pcs.
Cam Lock	23 pcs.
Wood Screw (short)	29 pcs.
Wood Screw (long)	21 pcs.
Adjustable Pin	22 pcs.
Pull Handle	3 pcs.
Machine Screw	3 pcs.

Tools required for assembly : **Phillips** screwdriver

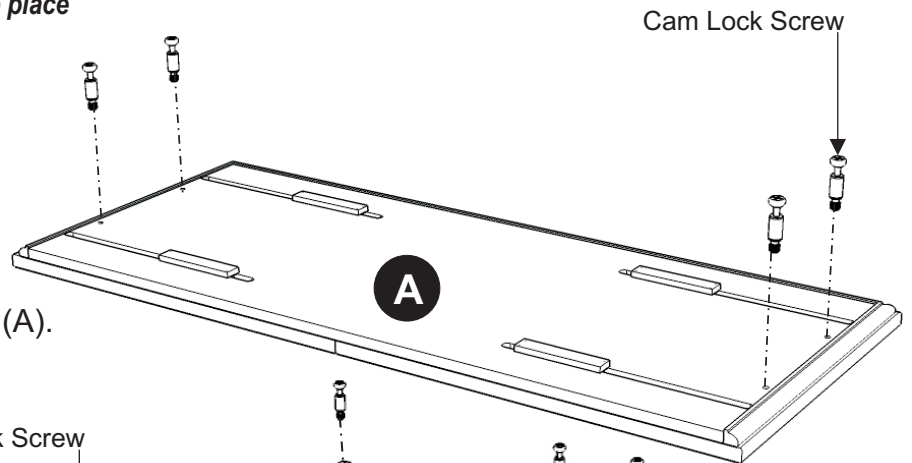
Home Styles Consumer Assistance Line 888-680-7460 and 877-831-0319
servicedesk@homestyles-furniture.com

IMPORTANT

You should keep Hex Wrench in a safe place as you may need to tighten up the Head Cap Bolts in the future.

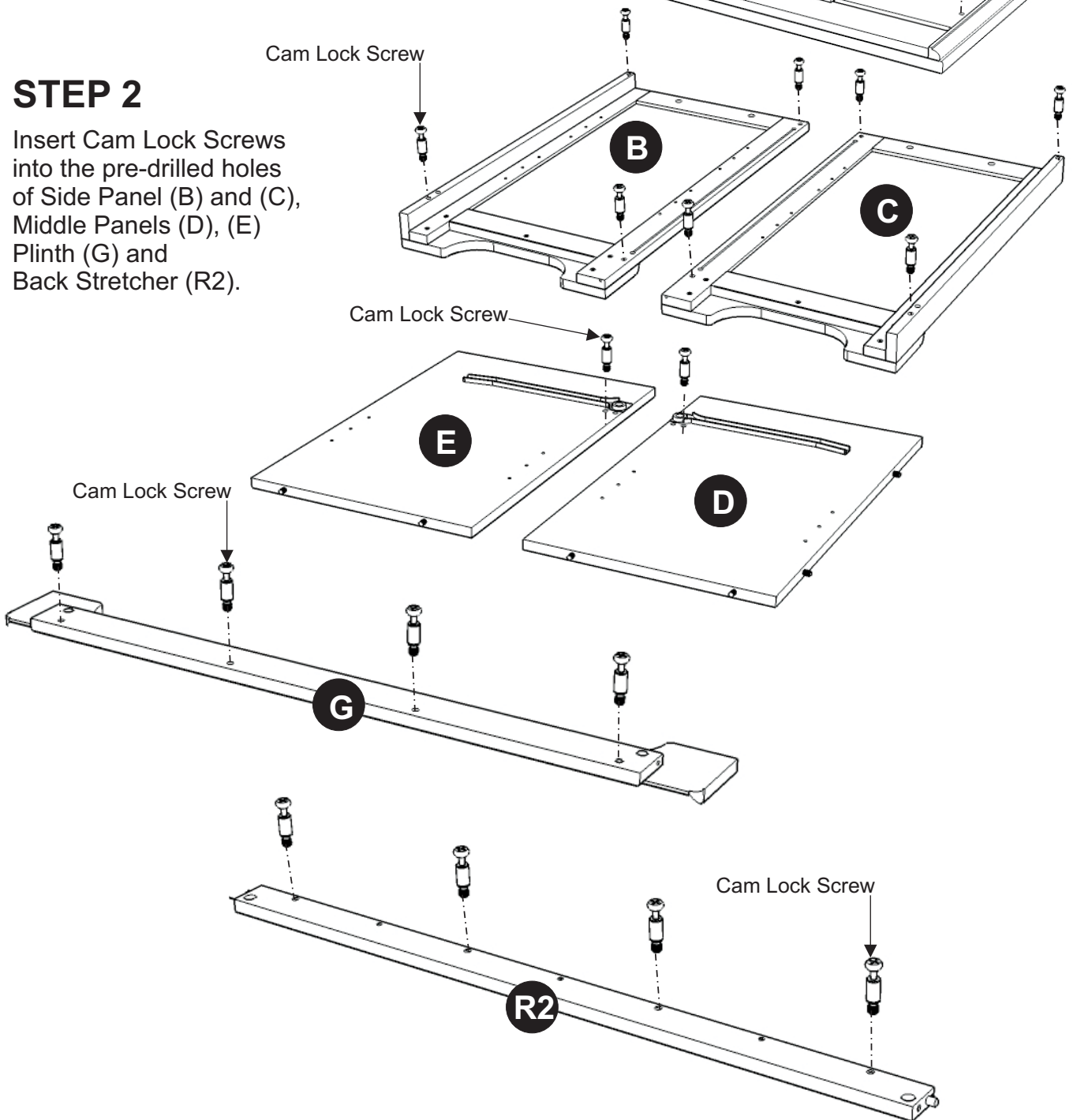
STEP 1

Insert Cam Lock Screws into the pre-drilled holes of Top (A).



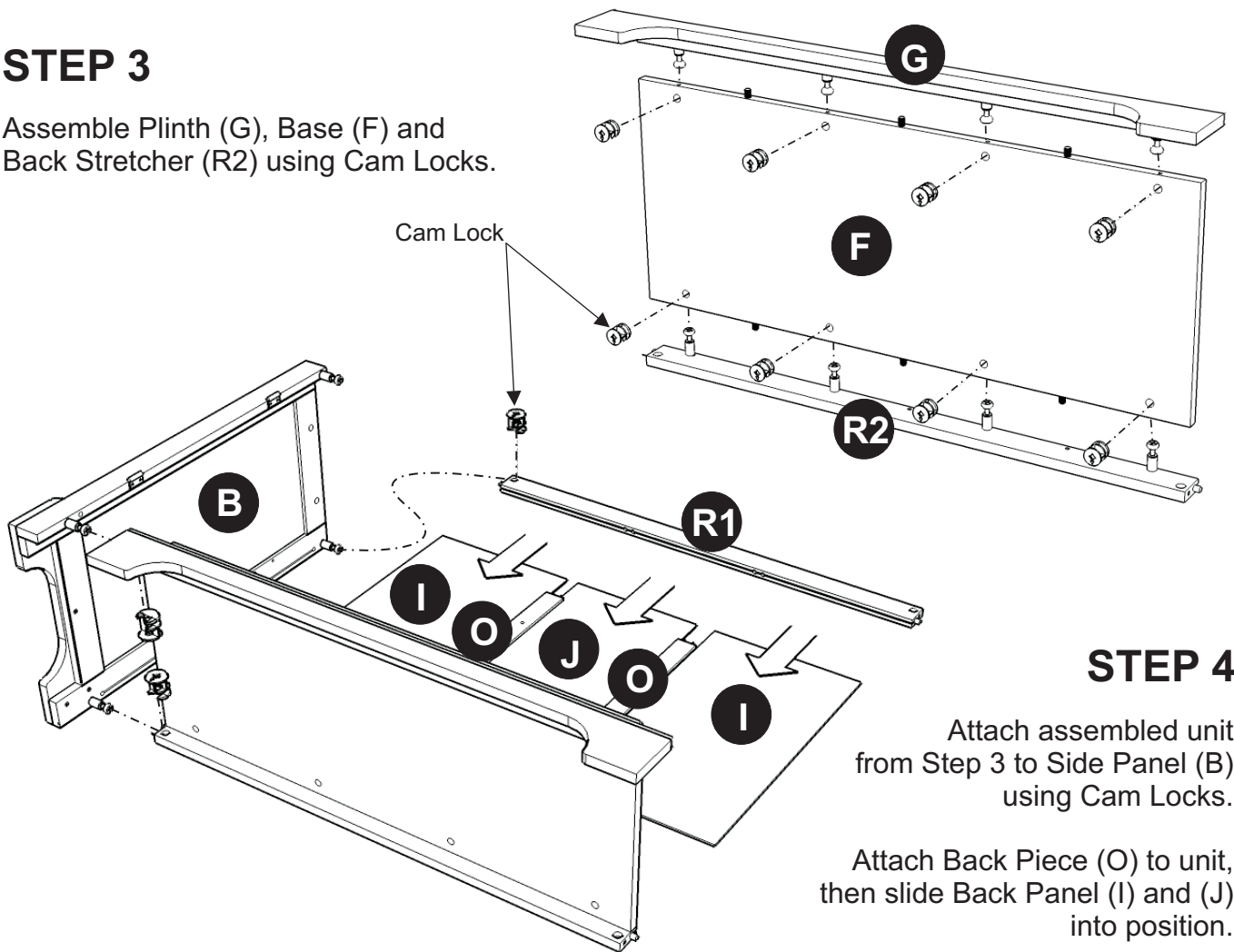
STEP 2

Insert Cam Lock Screws into the pre-drilled holes of Side Panel (B) and (C), Middle Panels (D), (E) Plinth (G) and Back Stretcher (R2).



STEP 3

Assemble Plinth (G), Base (F) and Back Stretcher (R2) using Cam Locks.



STEP 4

Attach assembled unit from Step 3 to Side Panel (B) using Cam Locks.

Attach Back Piece (O) to unit, then slide Back Panel (I) and (J) into position.

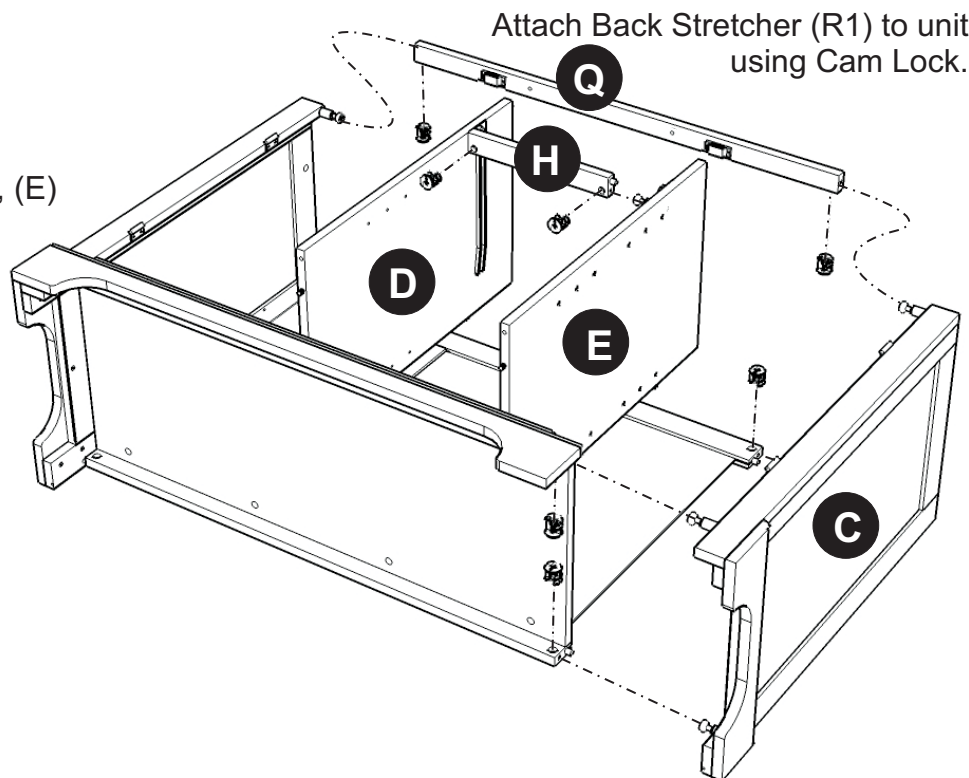
Attach Back Stretcher (R1) to unit using Cam Lock.

STEP 5

Assemble Middle Panel (D), (E) and Front Piece (H) using Cam Locks, then attach to unit.

Attach Front Stretcher (Q) to unit using Cam Lock.

Attach Side Panel (C) to unit using Cam Locks.

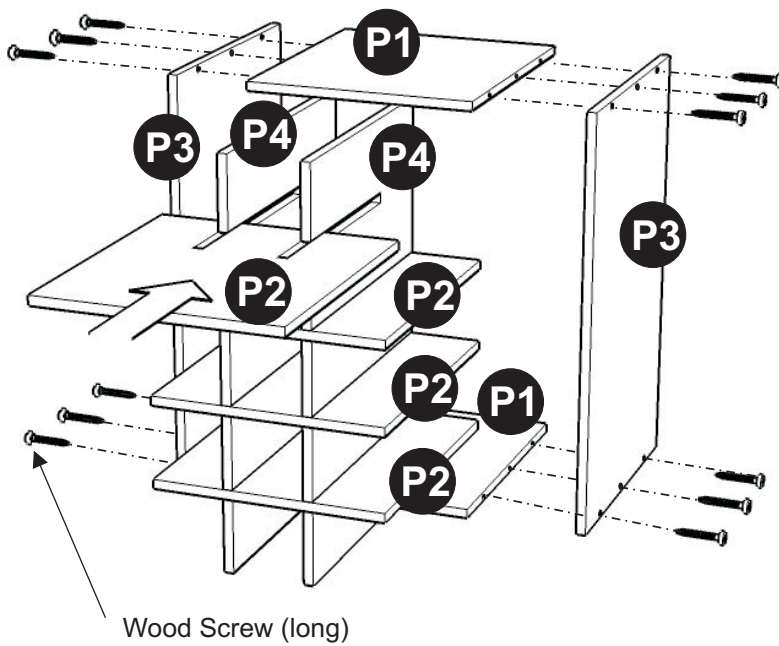
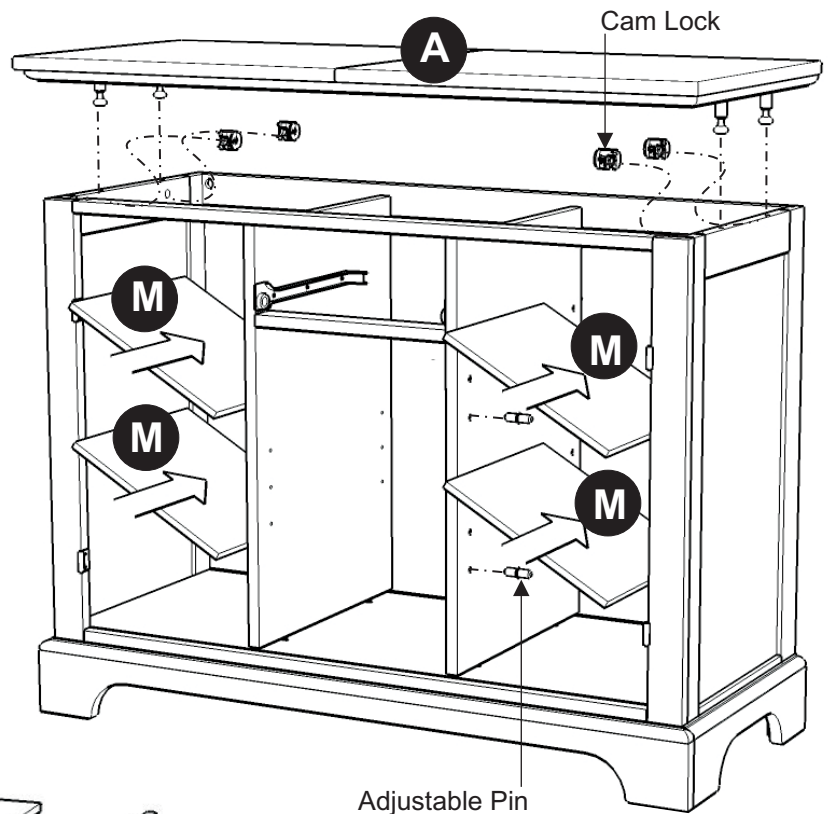


STEP 6

Attach Top (A) to unit using Cam Locks.

Insert Adjustable Pins Into both side panels and Middle Panels at the desired level.

Slide Shelf (M) into place.



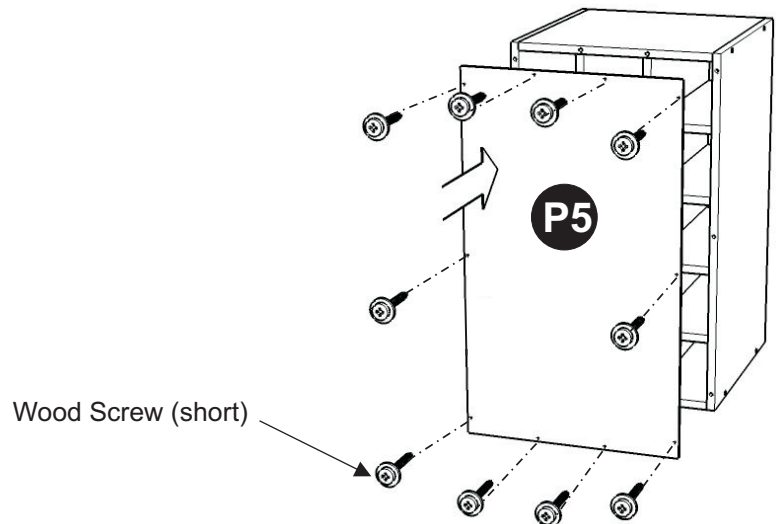
STEP 7

Attach Racks (P3) to Racks (P1) with Wood Screws (long).

Assemble Racks (P2) with (P4) as shown, then place it into position.

STEP 8

Attach Rack (P5) to the unit with Wood Screws (short).



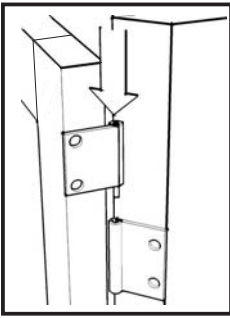


Figure 1

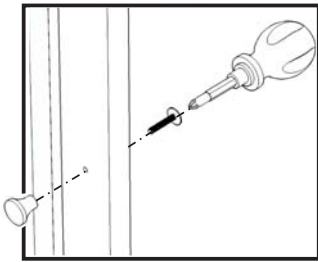
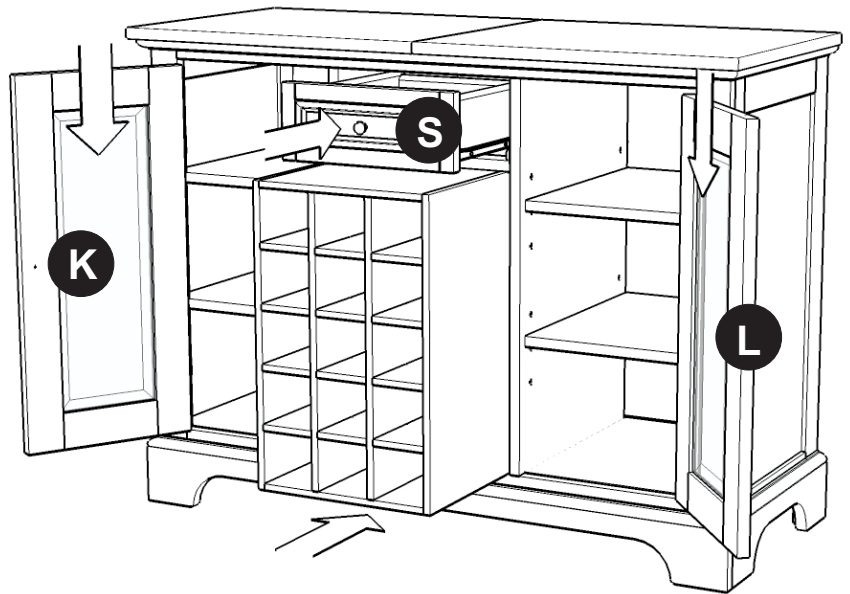


Figure 2



STEP 9

Attach Doors (K) and (L) by sliding the door lift hinges into the side panels lift hinges (See figure 1).

Assemble Pull Handles to Doors (K) and (L) with Machine Screws. (See figure 2)

Slide Drawer (S) and Wine Rack into position.

Note: The adjustable shelf (N) is optional (see Figure 3).

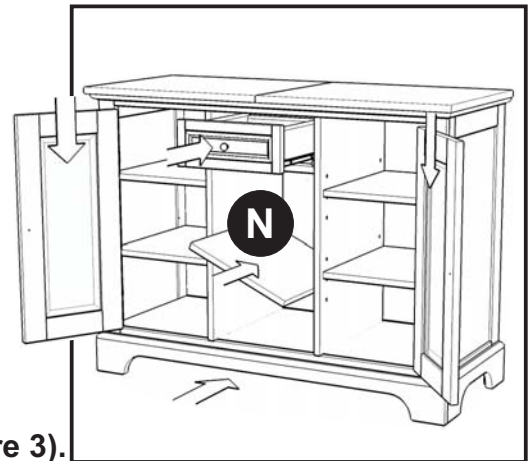
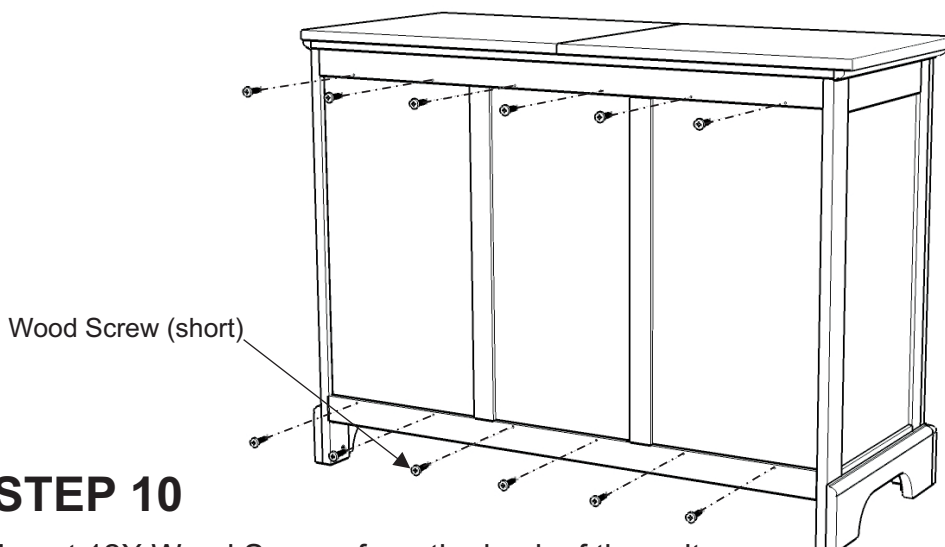


Figure 3



Wood Screw (short)

STEP 10

Insert 12X Wood Screws from the back of the unit, tighten up all the Wood Screws (short). (see Figure 4)

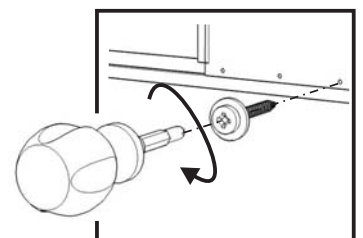
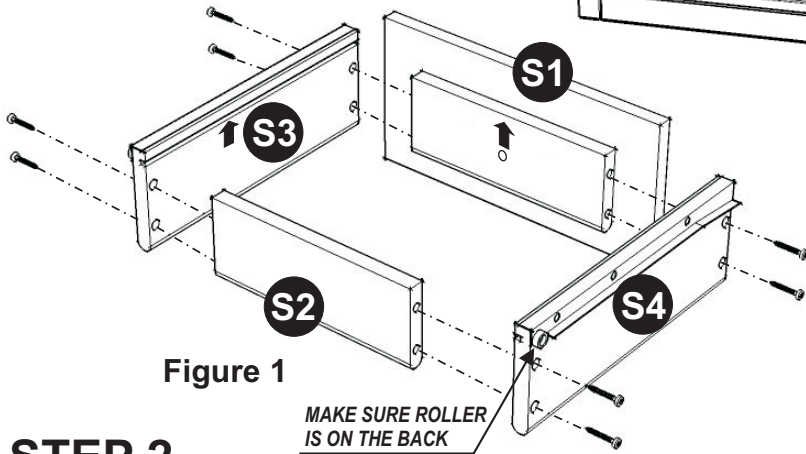


Figure 4

Note: Please make sure unit is level before tightening these screws.

Drawer (S)



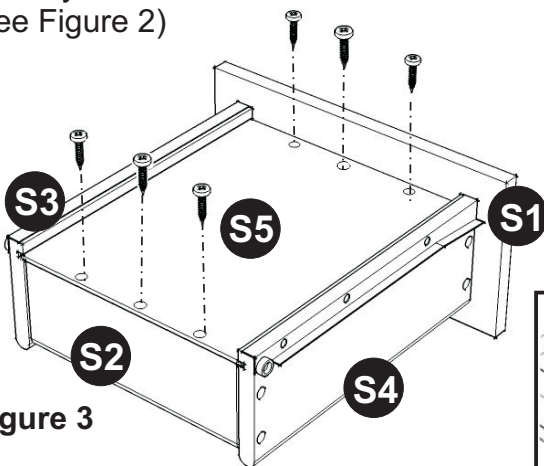
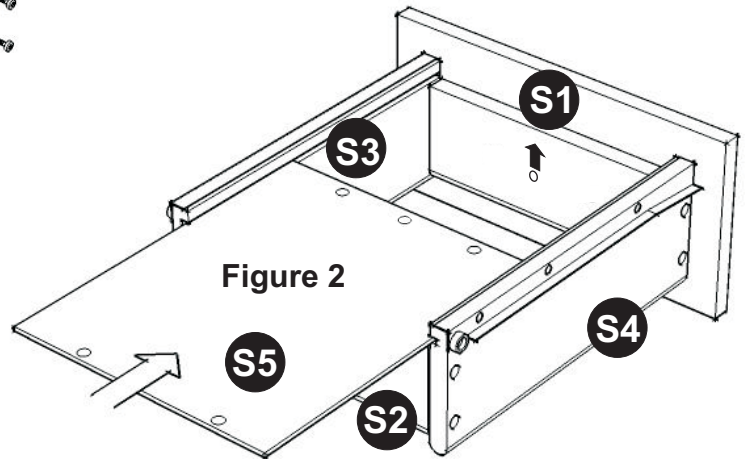
STEP 1

Attach S1 to S3 and S4, using a Phillips screwdriver and long wood screws (4X), tighten halfway.

Attach S2 to S3 and S4 using long wood screws (4X), tighten halfway. (see Figure 1)

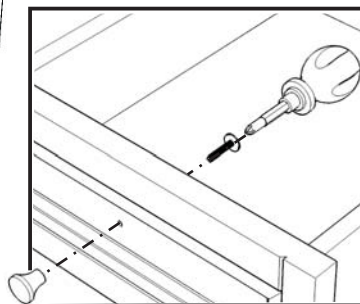
STEP 2

Slide S5 into the grooves in S3 and S4. Be sure to push S5 all the way forward so it meets S1. (see Figure 2)



STEP 3

Insert short wood screws (6X) into the pre-drilled holes in S5, tighten screws. (see Figure 3)

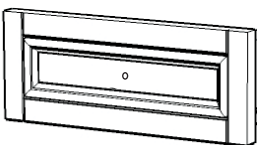


STEP 4

Attach hardware pulls with machine screws. (see Figure 4)

Tighten all screws used in drawer assembly.

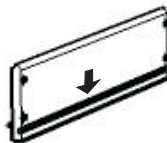
Part List



S1.
Front Part
1 pc.



S2.
Back Part
1 pc.



S3.
Side Part
1 pc.



S4.
Side Part
1 pc.



S5.
Base Part
1 pc.