

88 5532 09 Hanover Entertainment Stand

IMPORTANT NOTE

Carefully remove all the parts from the carton and put them individually on a soft cloth to prevent scratches or other damages occurring to the wood parts.

We have taken great care in the design of this product and request that you carefully and strictly follow our assembly instructions to ensure a completed product as it was designed.



*Home
Styles*

Casual Attire For Today's Home

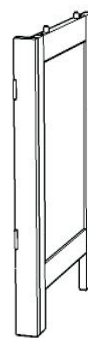
Part List



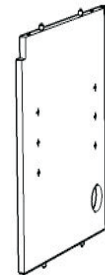
A.
Top
1 pc.



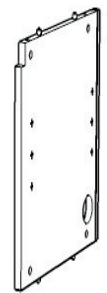
B.
Side Panel
1 pc.



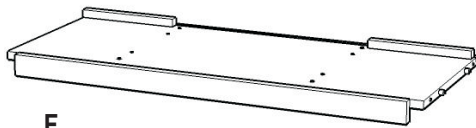
C.
Side Panel
1 pc.



D.
Middle Panel
1 pc.



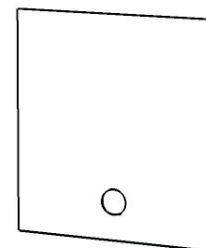
E.
Middle Panel
1 pc.



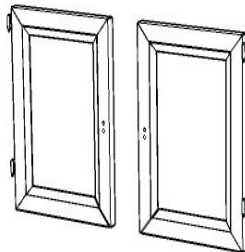
F.
Base
1 pc.



G.
Back Panel
2 pcs.

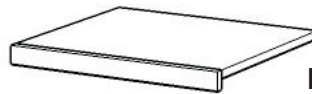


H.
Back Panel
1 pc.



I.
Door
1 pc.

J.
Door
1 pc.



K.
Shelf
1 pc.



L.
Shelf
2 pcs.

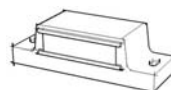
Hardware List



Cam Lock Screw
16 pcs.(+1 extra)



**Wood Screw
for Back Panel**
8 pcs.(+1 extra)



Magnet
2 pcs.



Pull Handle
2 pcs.



Cam Lock
16 pcs.(+1 extra)



Adjustable Pin
12 pcs.(+1 extra)



**Wood Screw
for Magnet**
4 pcs.(+1 extra)



Machine Screw
4 pcs.

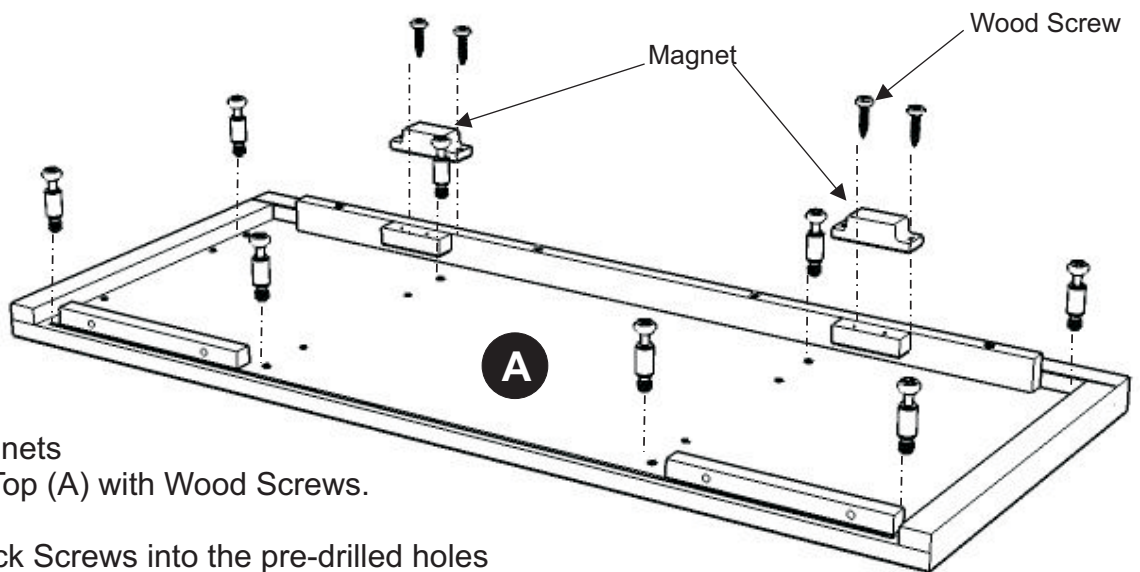
Tools required for assembly : Phillips screwdriver

Home Styles Consumer Assistance Line 888-680-7460 and 877-831-0319
servicedesk@homestyles-furniture.com

Assembly Instructions 2/4

IMPORTANT

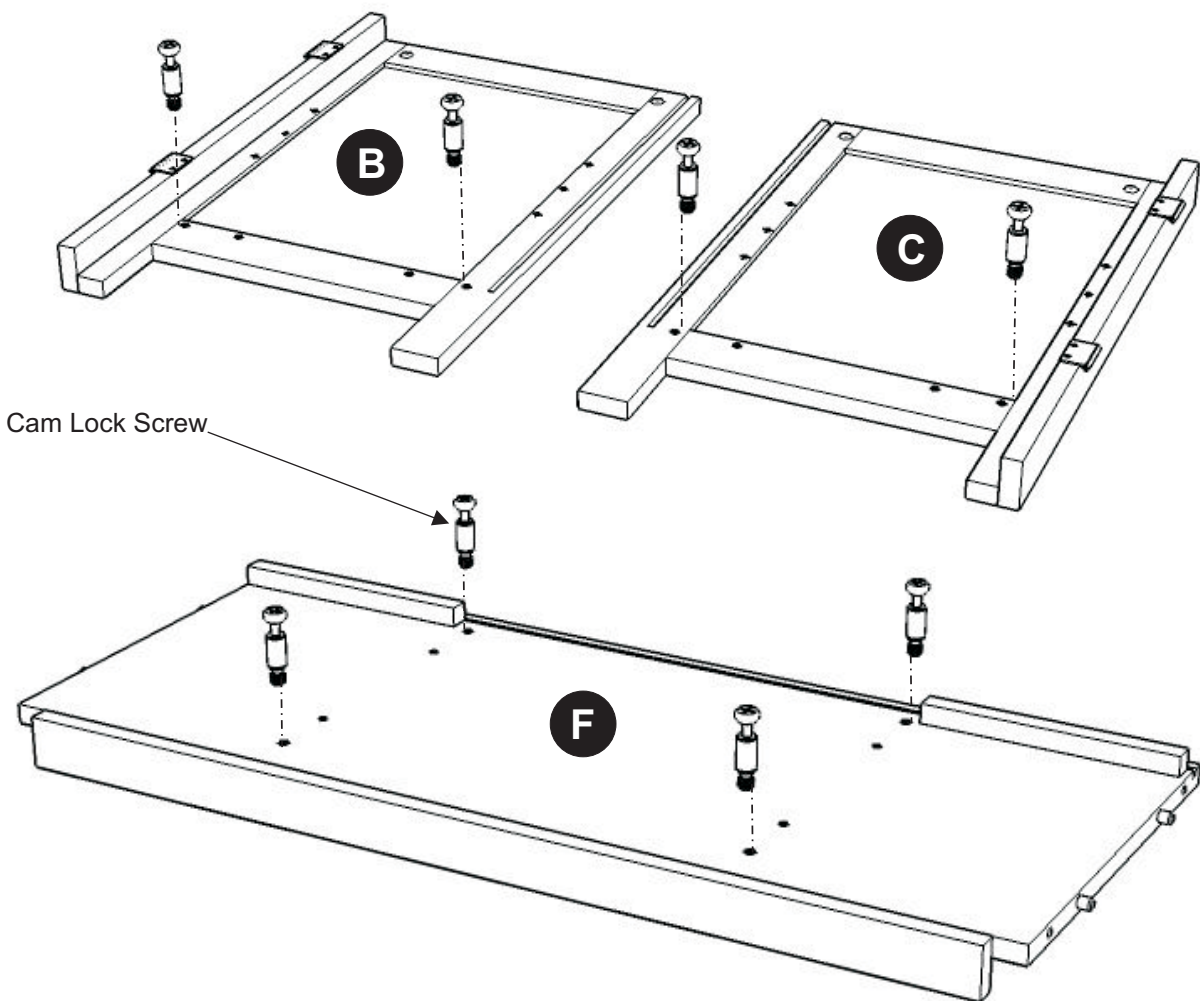
Do not tighten up all the screws until each part is properly assembled.

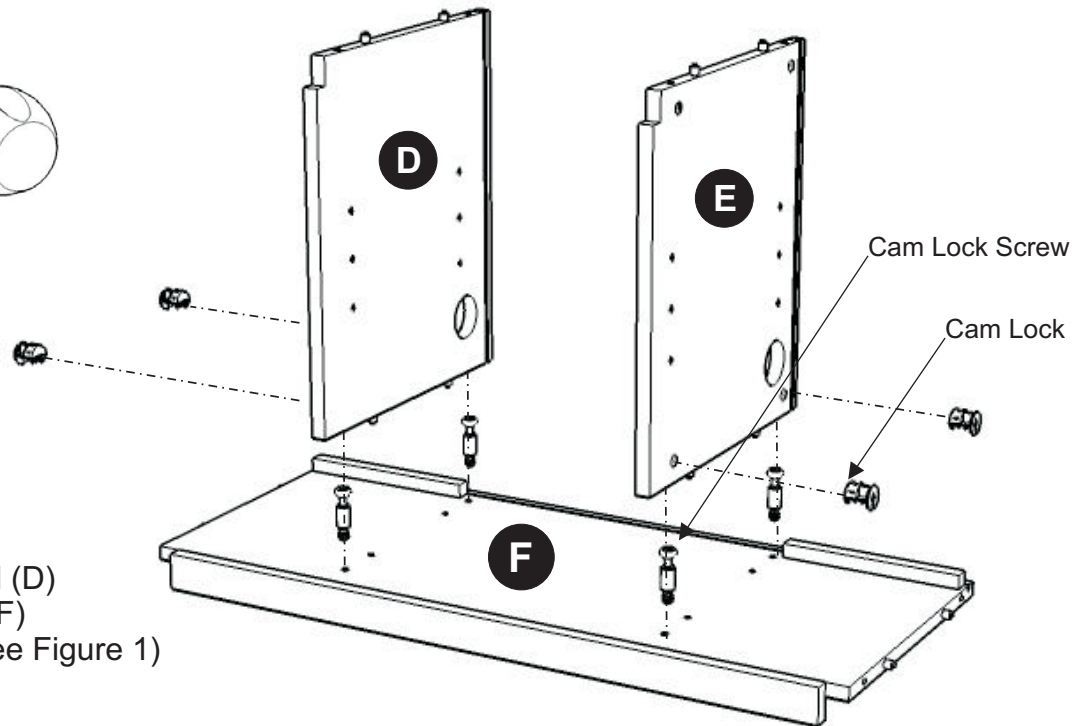
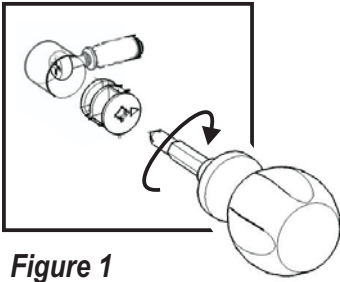


STEP 1

Attach 2X Magnets to front rail of Top (A) with Wood Screws.

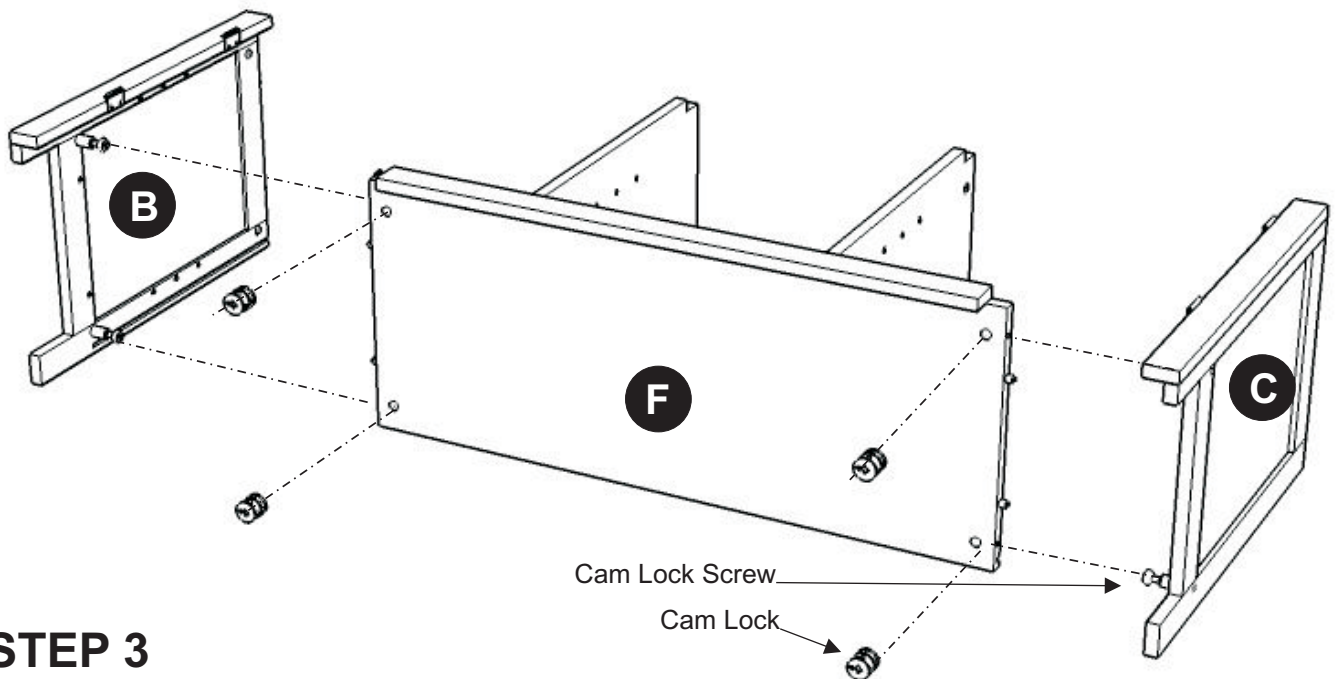
Insert Cam Lock Screws into the pre-drilled holes of Top (A), Side Panel (B) and (C), Base (F).





STEP 2

Attach Middle Panel (D) and (E) onto Base (F) with Cam Locks. (see Figure 1)



STEP 3

Attach Side Panel (B) and (C) to the unit with Cam Locks.

STEP 4

Slide Back Panels (G) and (H) into place.

Place Top (A) onto the unit, using Cam Locks.

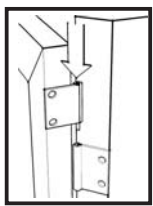


Figure 2

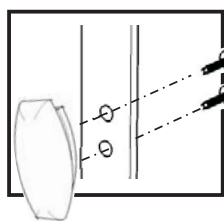
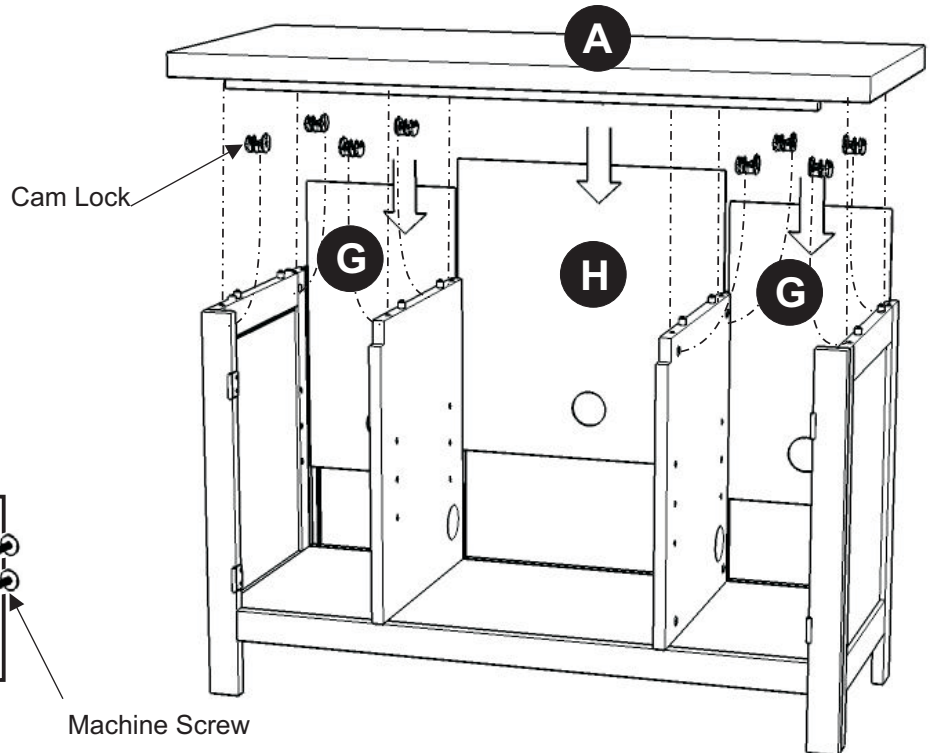


Figure 3



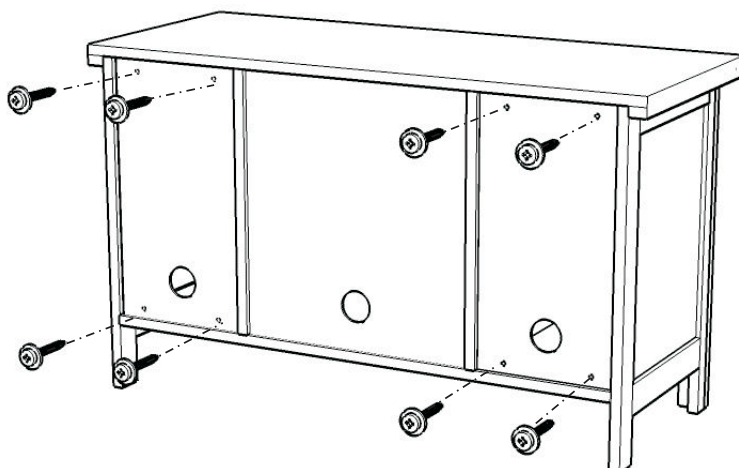
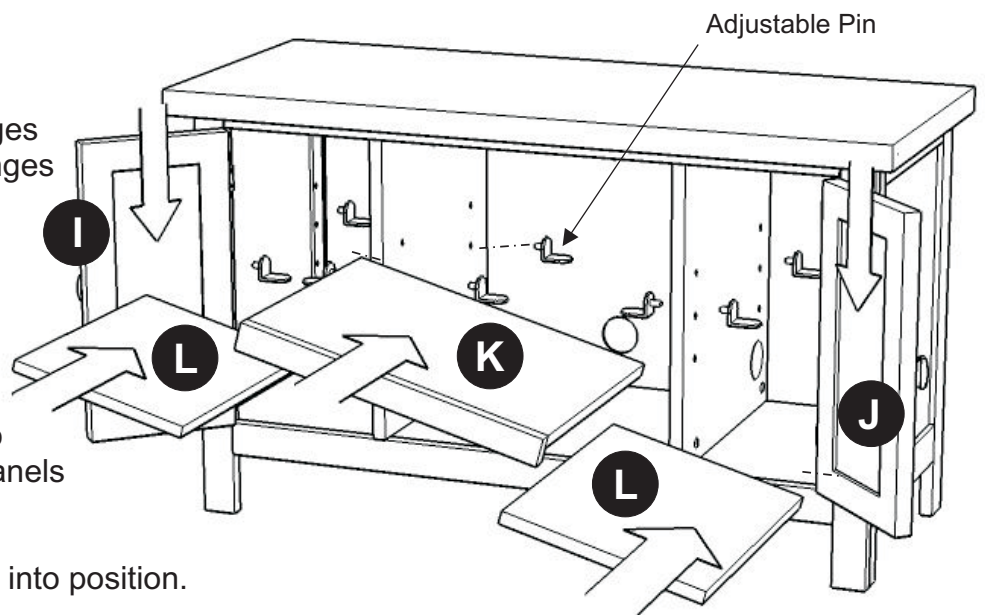
STEP 5

Attach Doors (I) and (J) by sliding the door lift hinges into the side panels lift hinges (See figure 2).

Assemble Pull Handles to Doors (I) and (J) with Machine Screws (See figure 3).

Insert Adjustable Pins into side panels and middle panels at the desired level.

Place Shelves (K) and (L) into position.



STEP 6

Insert 8X Wood Screws from the back of the unit, tighten up all the Wood Screws.

Note: Please make sure unit is level before tightening these screws.