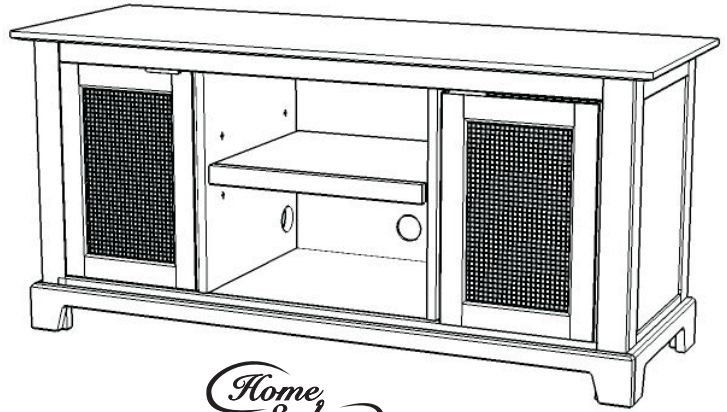


# 88 5535 121 Jamaican Bay Entertainment Stand

## IMPORTANT NOTE

Carefully remove all the parts from the carton and put them individually on a soft cloth to prevent scratches or other damages occurring to the wood parts.

We have taken great care in the design of this product and request that you carefully and strictly follow our assembly instructions to ensure a completed product as it was designed.



*Home  
Styles™*

Casual Attire For Today's Home

## Part List



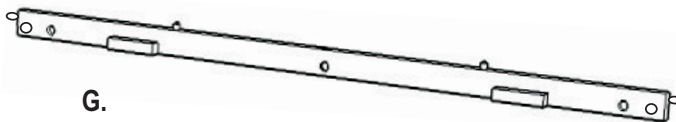
**A.**  
**Top**  
1 pc.



**E.**  
**Base**  
1 pc.



**F.**  
**Plinth**  
1 pc.



**G.**  
**Front Rail**  
1 pc.

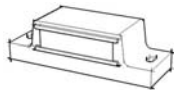


**M.**  
**Shelf**  
2 pcs.

## Hardware List



**Cam Lock**  
24 pcs.(+1 extra)



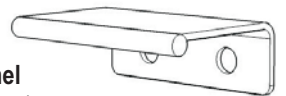
**Magnet**  
2 pcs.



**Adjustable Pin**  
12 pcs.(+1 extra)



**Wood Screw  
for Back Panel**  
12 pcs.(+1 extra)



**Pull Handle**  
2 pcs.



**Cam Lock Screw**  
24 pcs.(+1 extra)



**Wood Screw  
for Magnet**  
4 pcs.(+1 extra)



**Wood Screw  
for Plinth**  
2 pcs.(+1 extra)



**Wood Screw  
for Handle**  
4 pcs.(+1 extra)

**For assembly see instructions in carton 88 5535 122**

Tools required for assembly : Phillips screwdriver

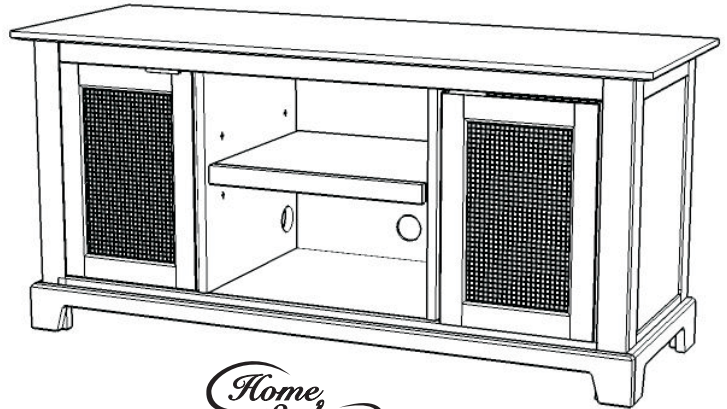
**Home Styles Consumer Assistance Line 888-680-7460 and 877-831-0319  
servicedesk@homestyles-furniture.com**

# 88 5535 122 Jamaican Bay Entertainment Stand

## IMPORTANT NOTE

Carefully remove all the parts from the carton and put them individually on a soft cloth to prevent scratches or other damages occurring to the wood parts.

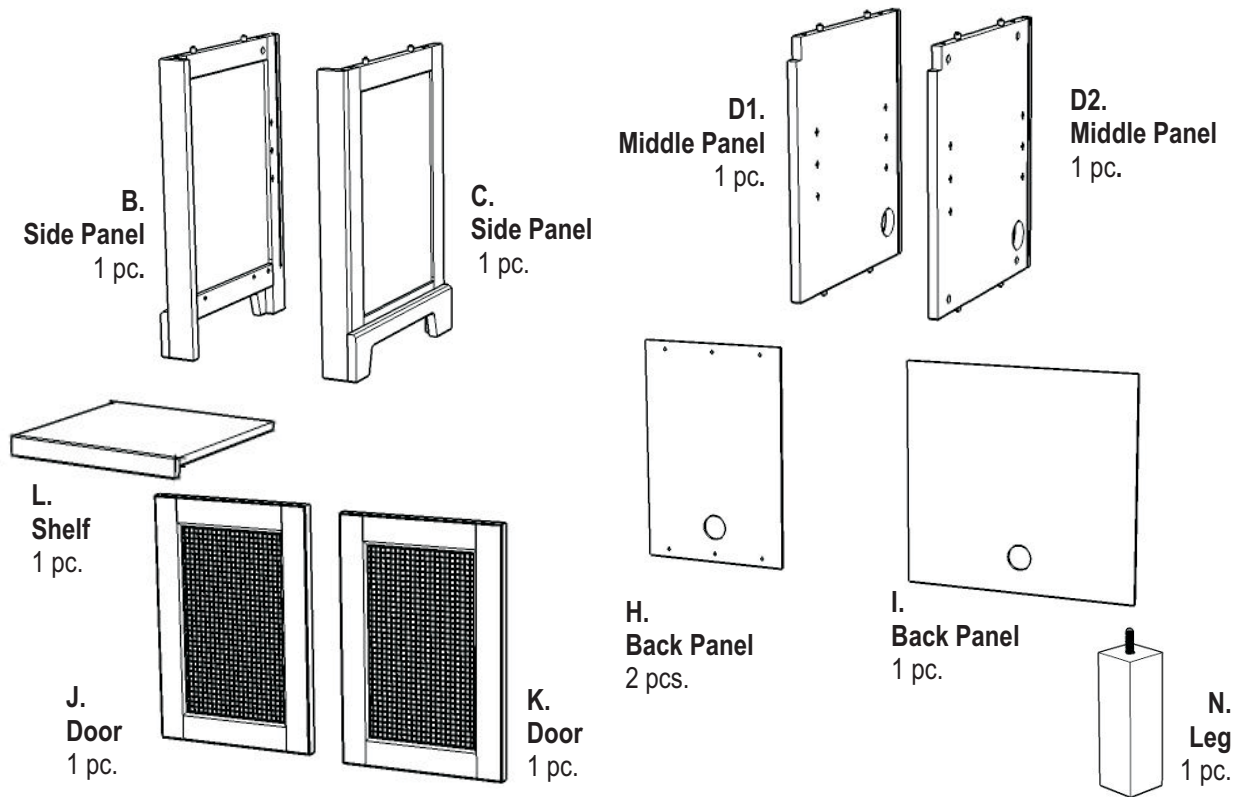
We have taken great care in the design of this product and request that you carefully and strictly follow our assembly instructions to ensure a completed product as it was designed.



*Home  
Styles*

Casual Attire For Today's Home

## Part List (in this carton)



## Also need the following from carton 88 5535 121 :

### Part List in carton 88 5535 121

Top (A)	1 pc.
Base (E)	1 pc.
Plinth (F)	1 pc.
Front Rail (G)	1 pc.
Shelf (M)	2 pcs.

### Hardware List in carton 88 5535 121

Cam Lock Screw	25 pcs.
Cam Lock	25 pcs.
Magnet	2 pcs.
Wood Screw for Magnet	5 pcs.
Wood Screw for Plinth	3 pcs.
Wood Screw for Back Panels	13 pcs.
Adjustable Pin	13 pcs.
Pull Handle	2 pcs.
Wood Screw for Pull Handle	5 pcs.

Tools required for assembly: Phillips screwdriver

Home Styles Consumer Assistance Line 888-680-7460 and 877-831-0319  
servicedesk@homestyles-furniture.com

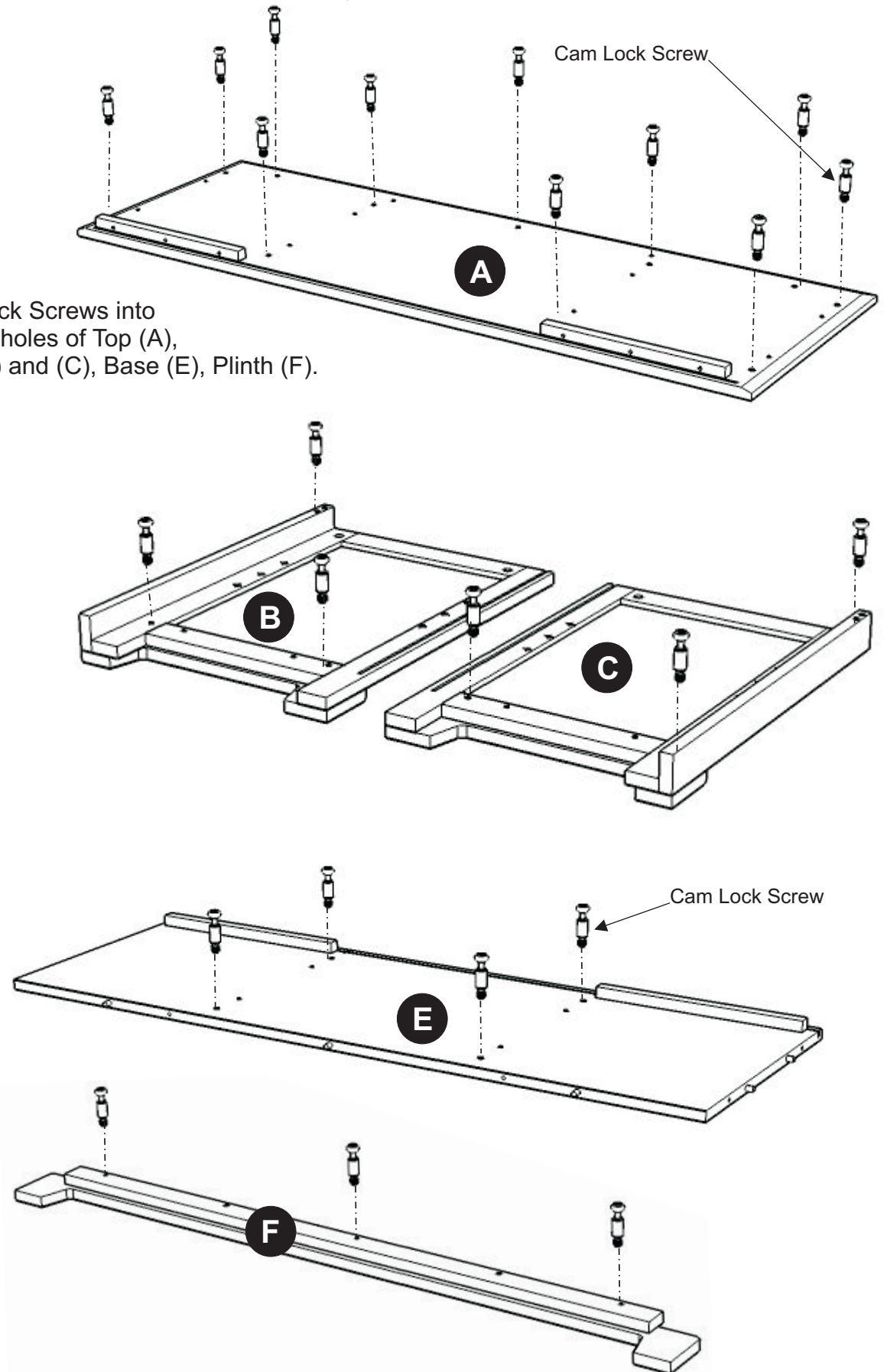
# Assembly Instructions 2/5

## IMPORTANT

Do not tighten up all the screws until each part is properly assembled.

## STEP 1

Insert Cam Lock Screws into the pre-drilled holes of Top (A), Side Panel (B) and (C), Base (E), Plinth (F).



## STEP 2

Attach Middle Panel (D1) and (D2) onto Base (E) with Cam Locks (see Figure 1).

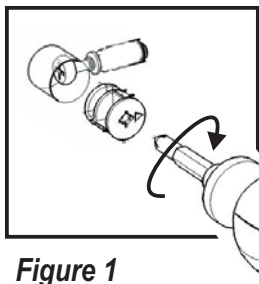
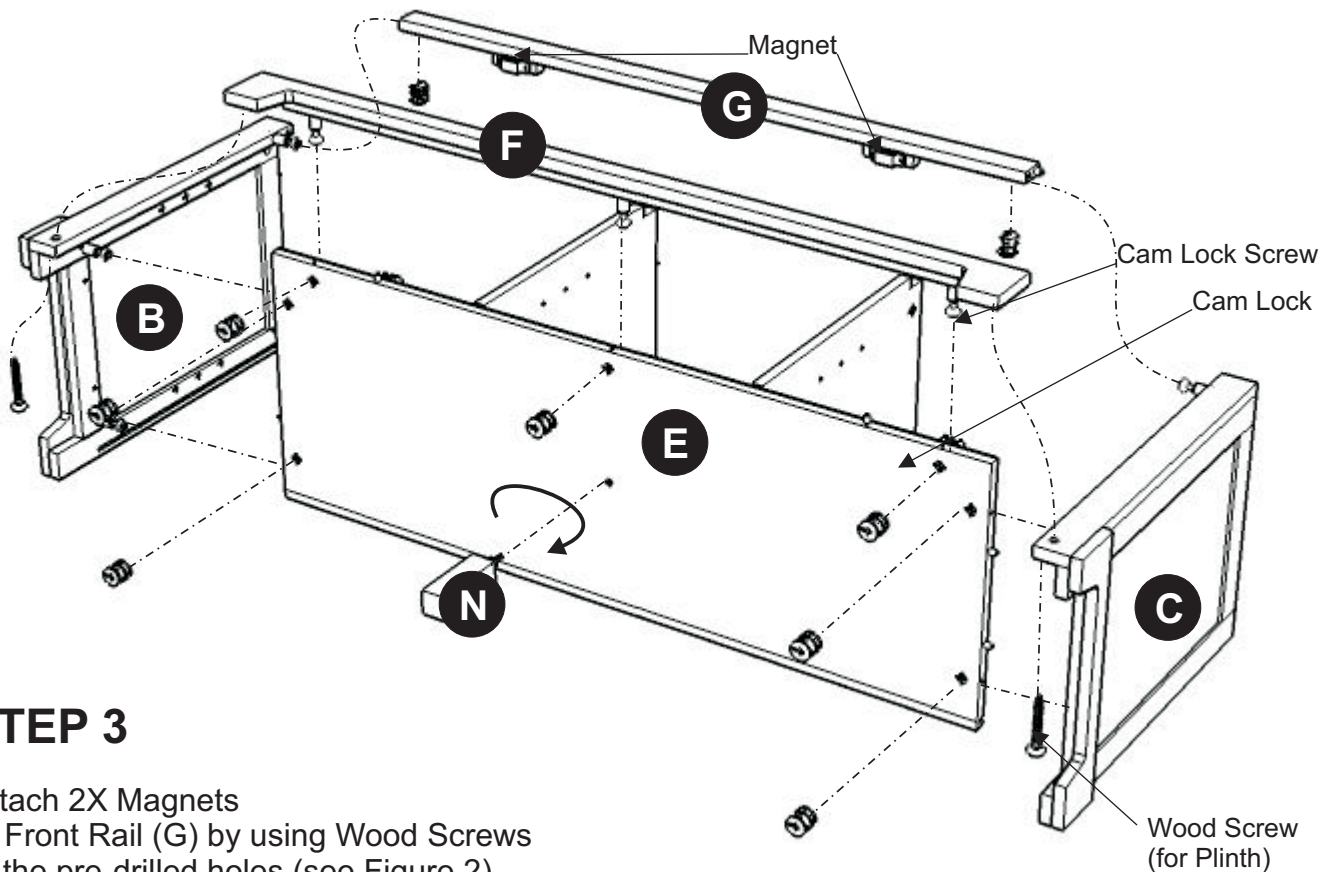
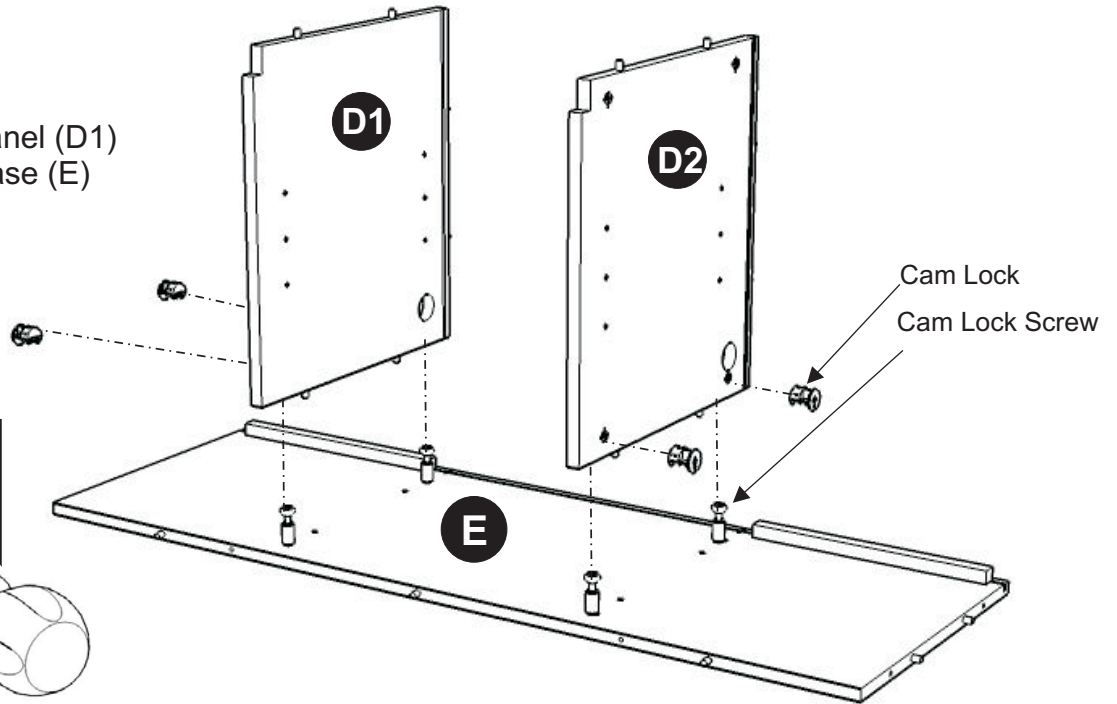


Figure 1



## STEP 3

Attach 2X Magnets to Front Rail (G) by using Wood Screws in the pre-drilled holes (see Figure 2).

Attach Plinth (F) to the unit with Cam Locks.

Attach Side Panel (B) and Front Rail (G) to the unit with Cam Locks, then attach Side Panel (C) to the unit with Cam Locks.

Tighten up Leg (N) in the pre-drilled hole of unit as shown.

Tighten up 2X Wood Screws for Plinth

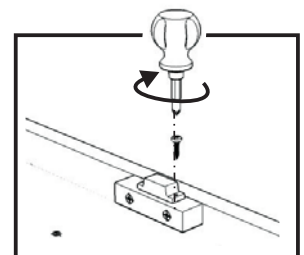


Figure 2

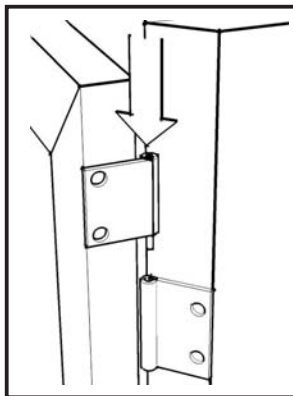
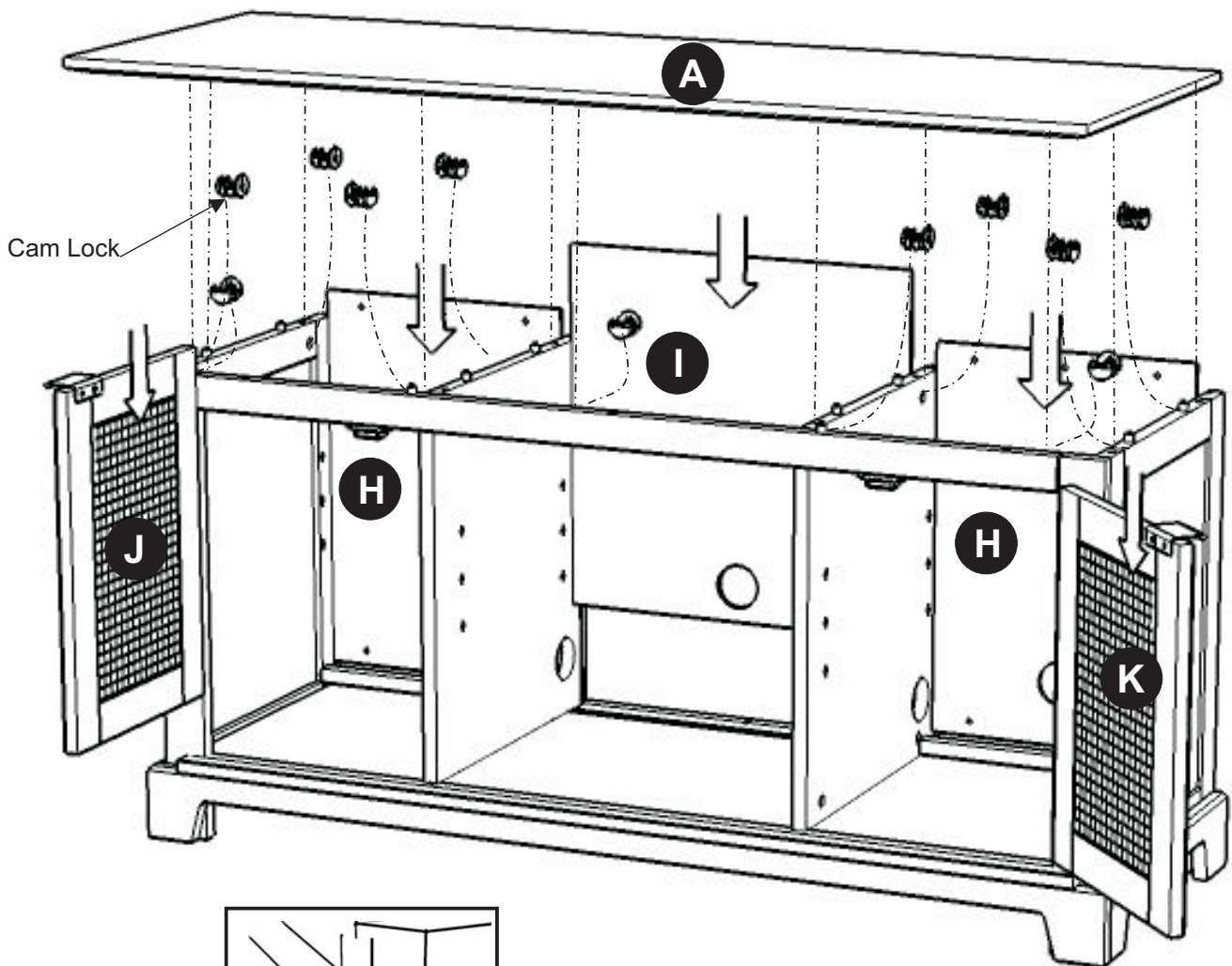


Figure 3

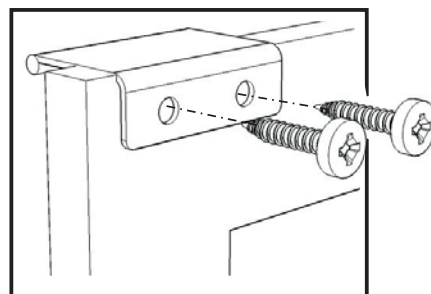


Figure 4

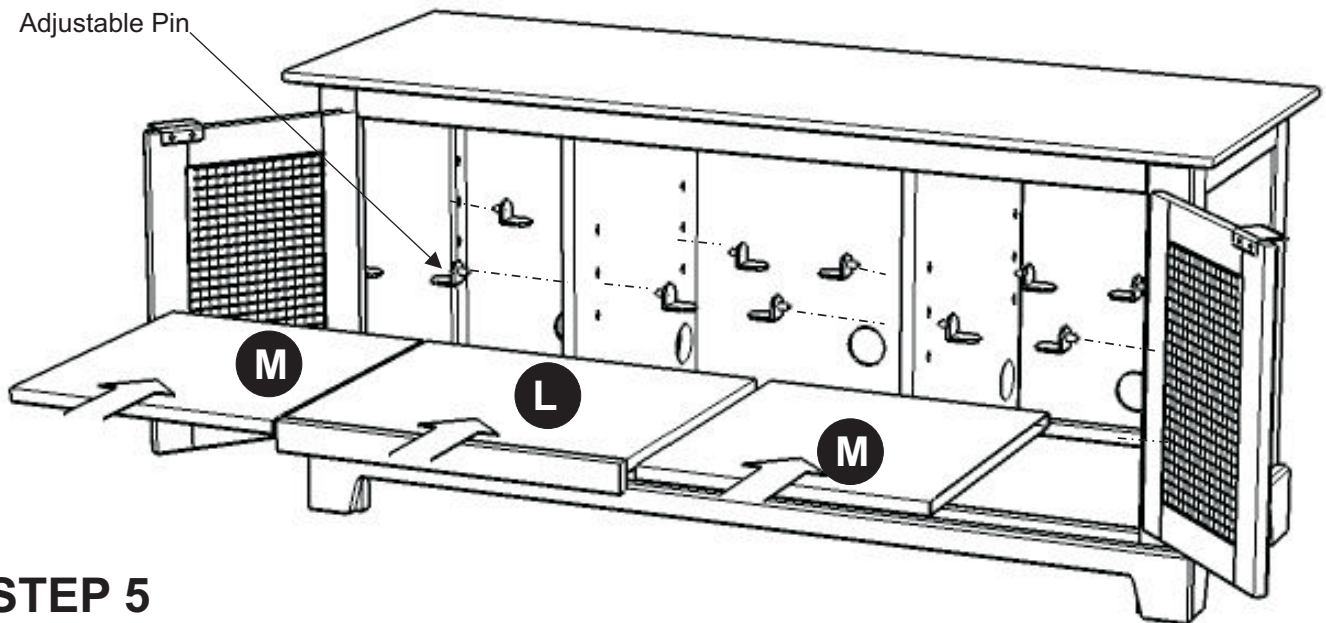
## STEP 4

Slide Back Panels (H) and (I) into place.

Place Top (A) onto the unit, using Cam Locks.

Attach Doors (J) and (K) by sliding the door lift hinges into the side panels lift hinges. (See figure 3)

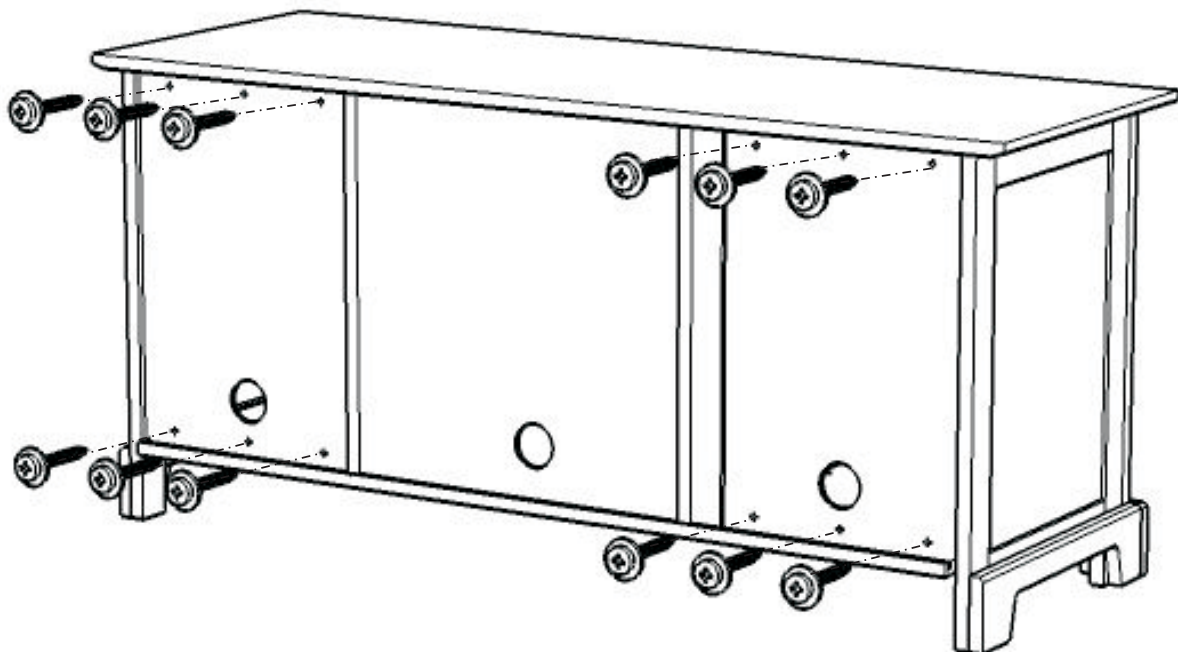
Assemble Pull Handles to Doors (J) and (K) with Wood Screws. (See figure 4)



## STEP 5

Insert Adjustable Pins into side panels and middle panels at the desired level.

Place Shelves (L) and (M) into position.



## STEP 6

Insert 12X Wood Screws from the back of the unit, tighten up all the Wood Screws. (See figure 5)

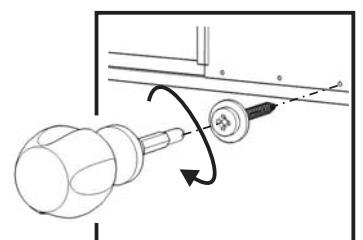


Figure 5

**Note:** Please make sure unit is level before tightening these screws.