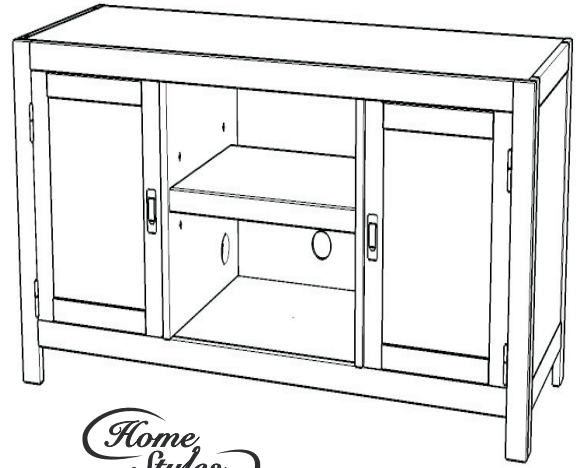


88 5536 09 City Chic Entertainment Stand



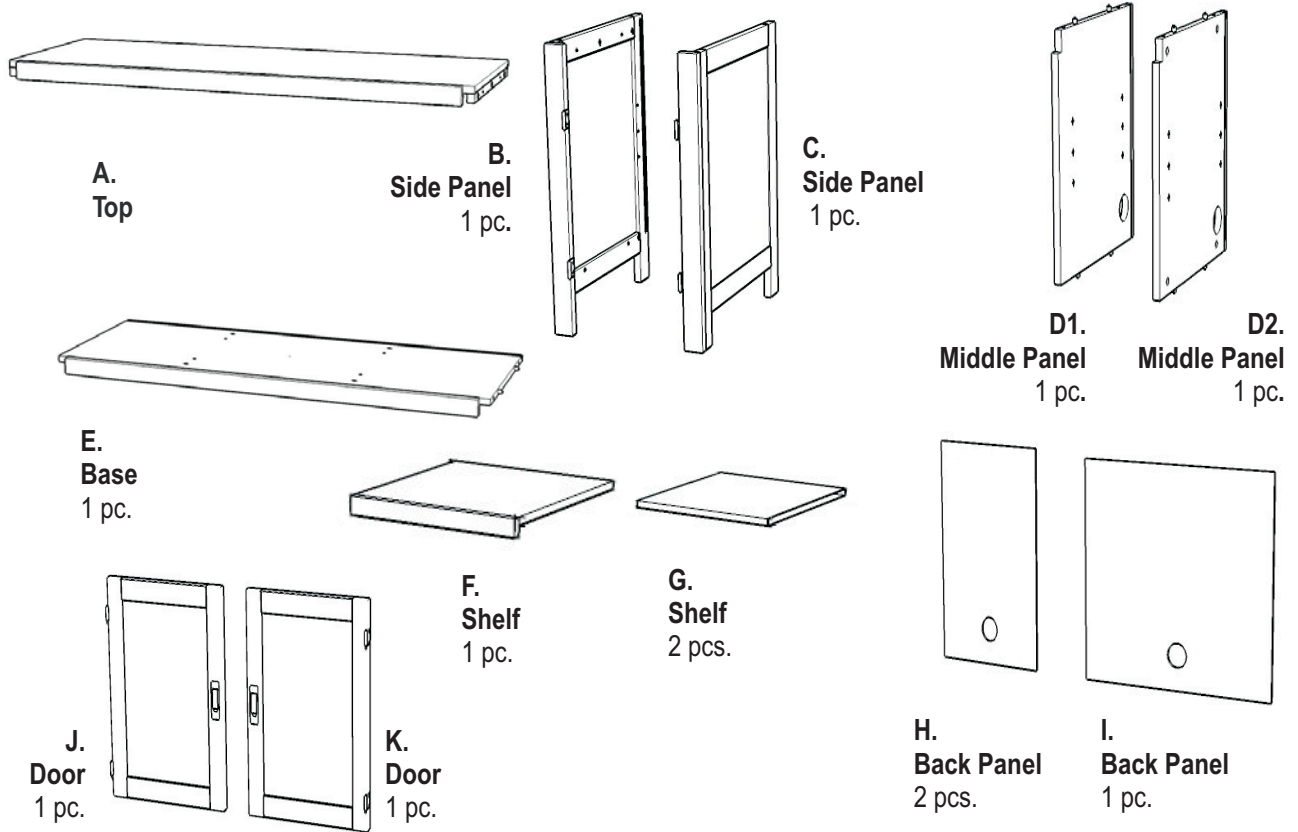
Casual Attire For Today's Home

IMPORTANT NOTE

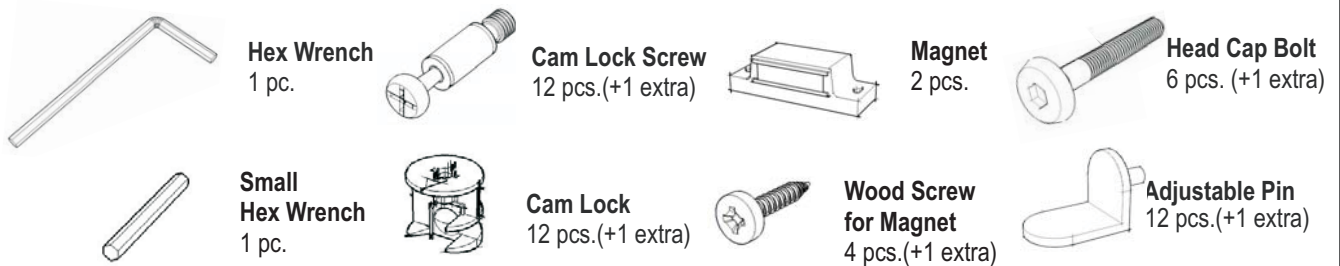
Carefully remove all the parts from the carton and put them individually on a soft cloth to prevent scratches or other damages occurring to the wood parts.

We have taken great care in the design of this product and request that you carefully and strictly follow our assembly instructions to ensure a completed product as it was designed.

Part List



Hardware List



Tools required for assembly : **Phillips** screwdriver

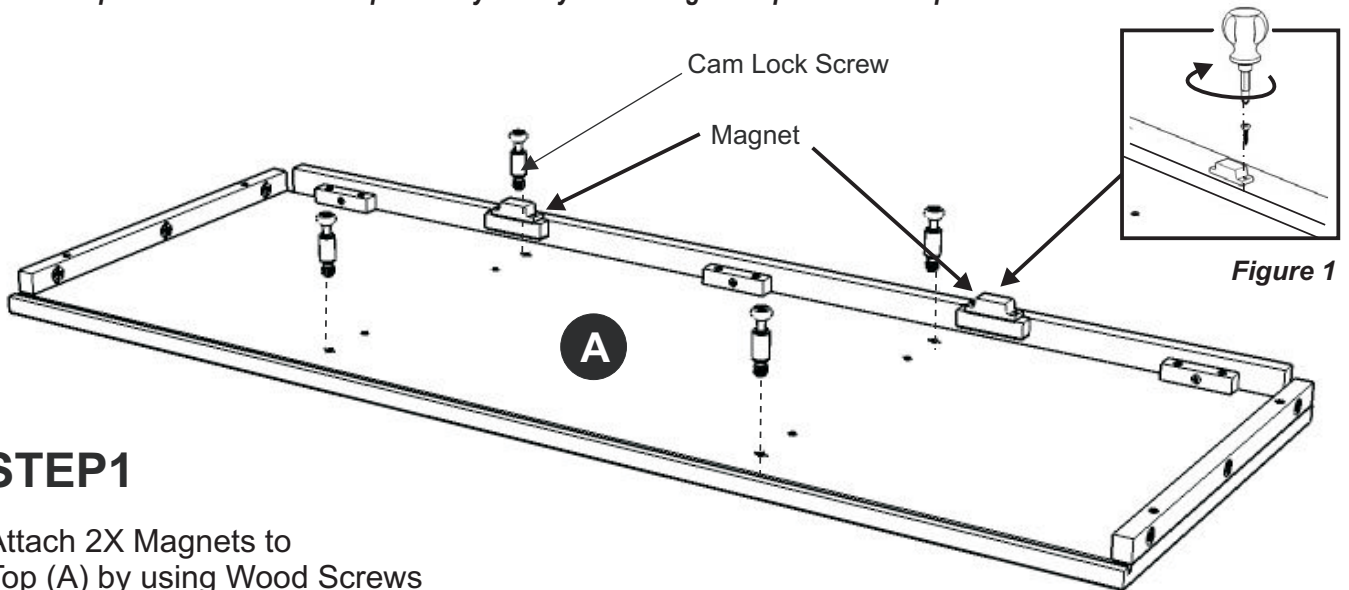
Home Styles Consumer Assistance Line 888-680-7460 and 877-831-0319
servicedesk@homestyles-furniture.com

Assembly Instructions 2/4

IMPORTANT

Do not tighten up all the screws until each part is properly assembled.

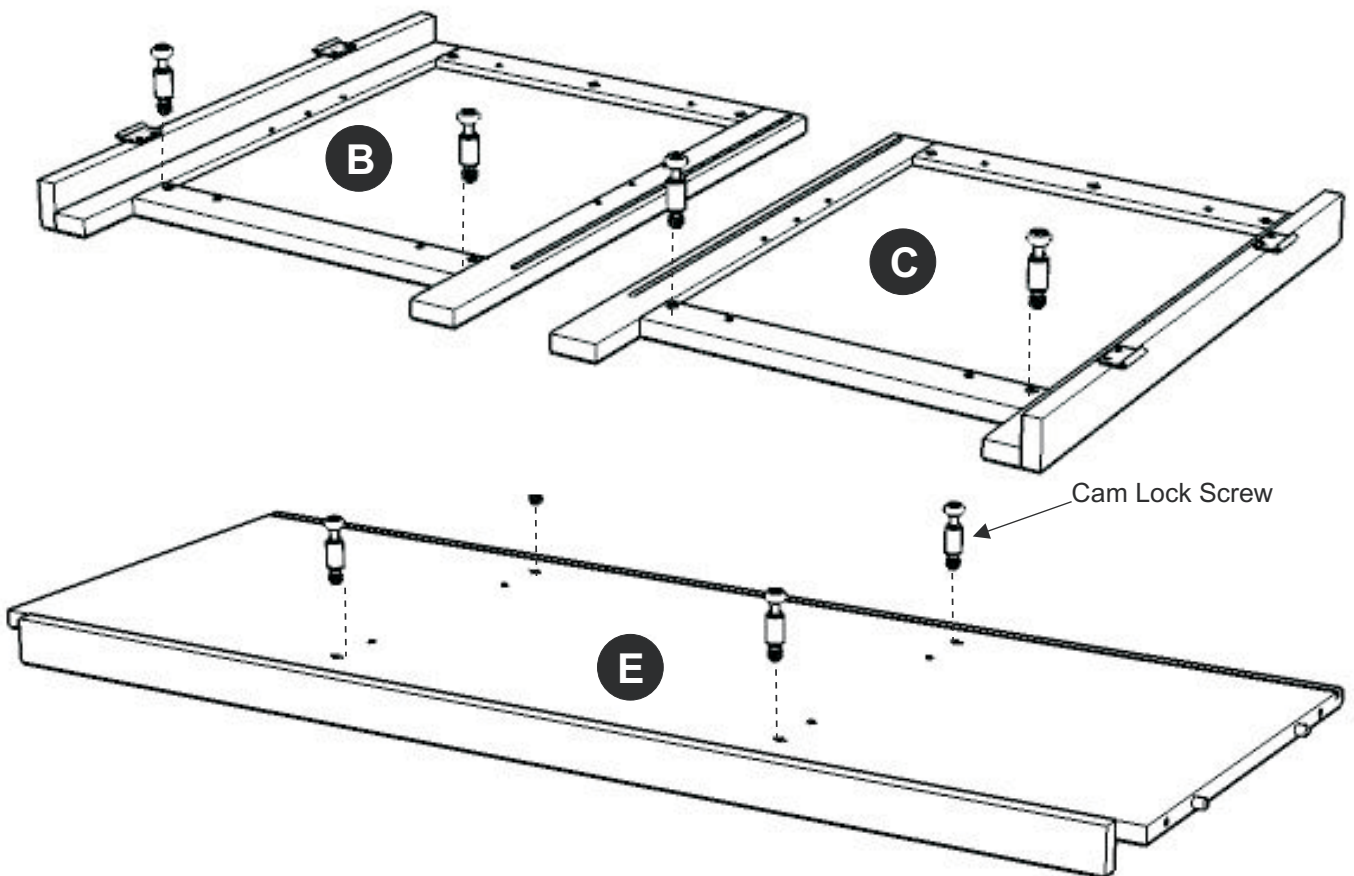
Please keep Hex Wrench in a safe place as you may need to tighten up the Head Cap Bolts in the future.



STEP 1

Attach 2X Magnets to Top (A) by using Wood Screws in the pre-drilled holes (see Figure 1).

Insert Cam Lock Screws into the pre-drilled holes of Top (A), Side Panel (B), (C) and Base (E).



STEP 3

Attach Middle Panel (D1) and (D2) onto Base (E) with Cam Locks (see Figure 2).

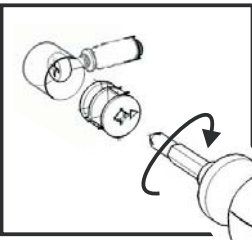
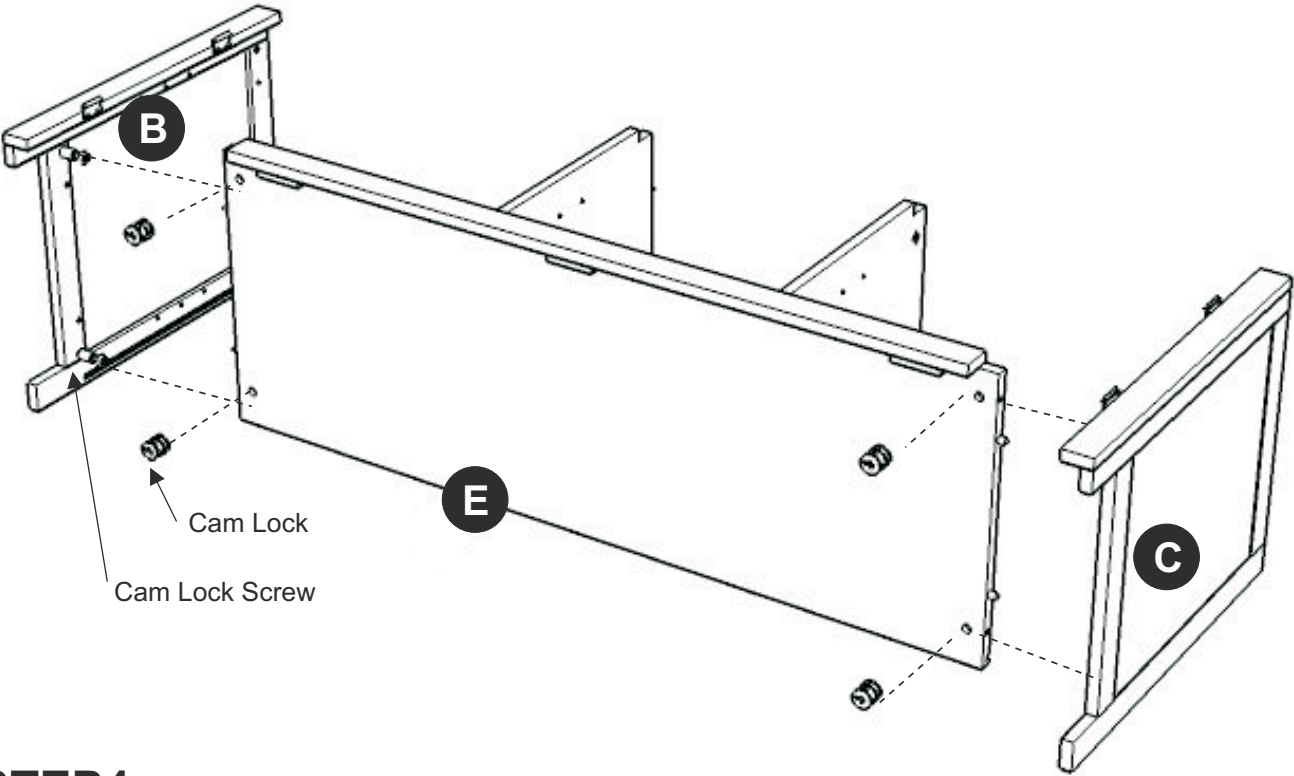
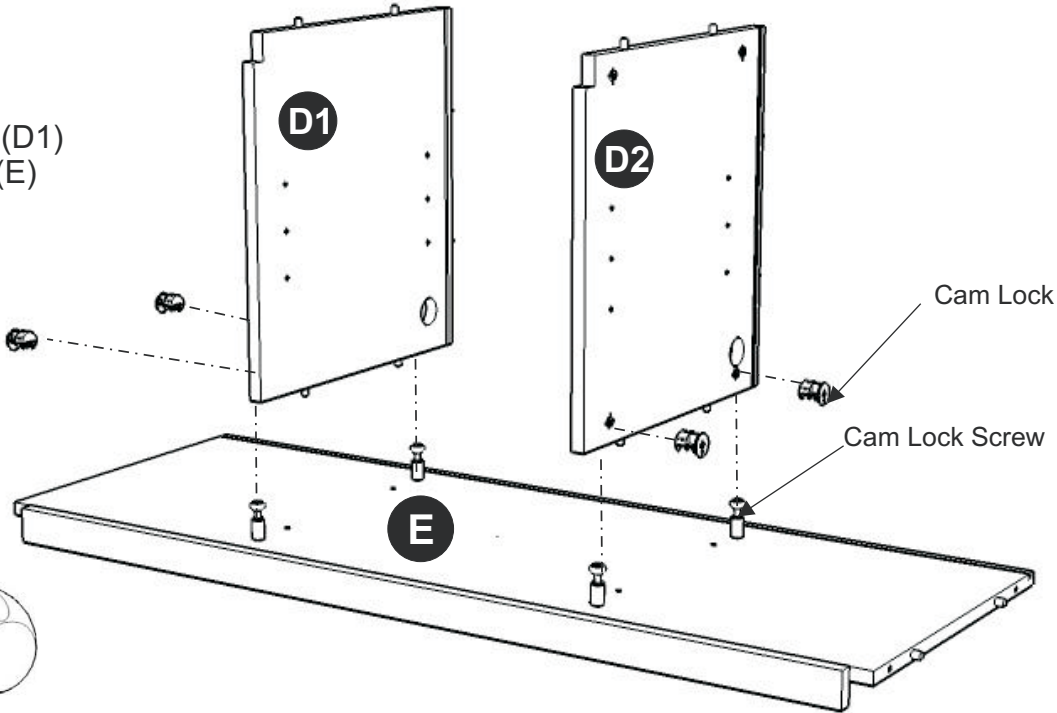


Figure 2



STEP 4

Attach Side Panel (B) and (C) to the unit with Cam Locks.

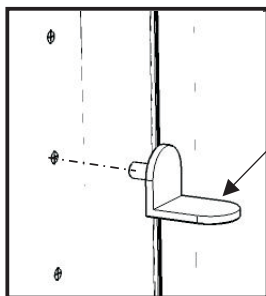
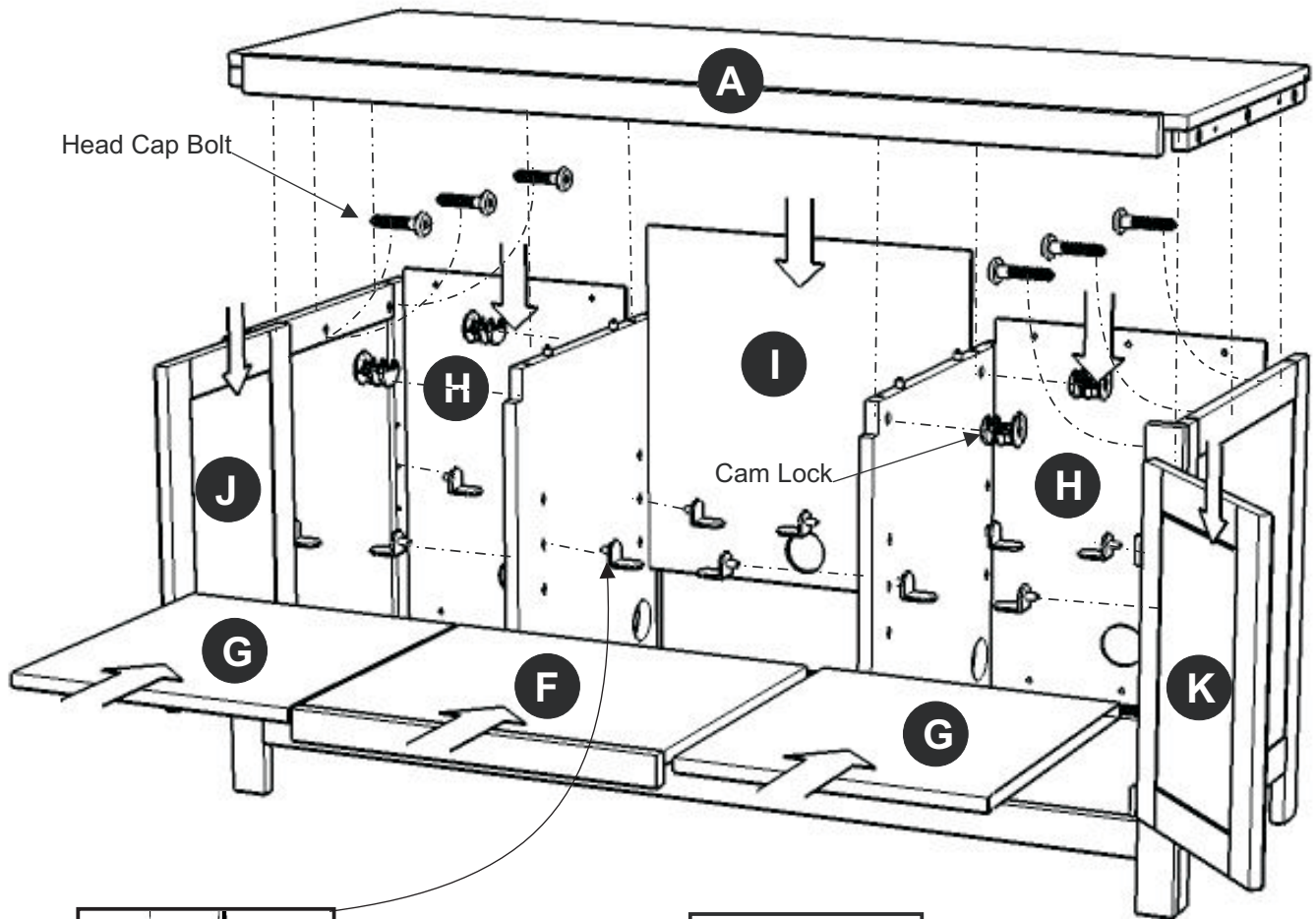


Figure 3

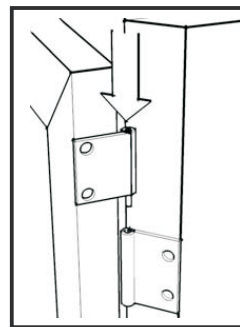


Figure 4

STEP 5

Slide Back Panels (H) and (I) into place.

Place Top (A) onto the unit using Head Cap Bolts and Cam Locks.

Insert Adjustable Pins into side panels and middle panels at the desired level (see Figure 3).

Place Shelves (G) and (F) into position.

Attach Doors (J) and (K) by sliding the door lift hinges into the side panels lift hinges.
(see Figure 4)

Note: The height of Top (A) can be adjusted slightly when tightening the Head Cap Bolts so that Top (A) is flush with the Side Panels.