

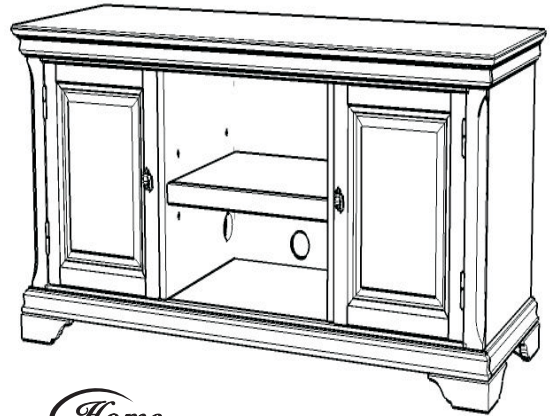
88 5537 09

The Lafayette Entertainment Stand

IMPORTANT NOTE

Carefully remove all the parts from the carton and put them individually on a soft cloth to prevent scratches or other damages occurring to the wood parts.

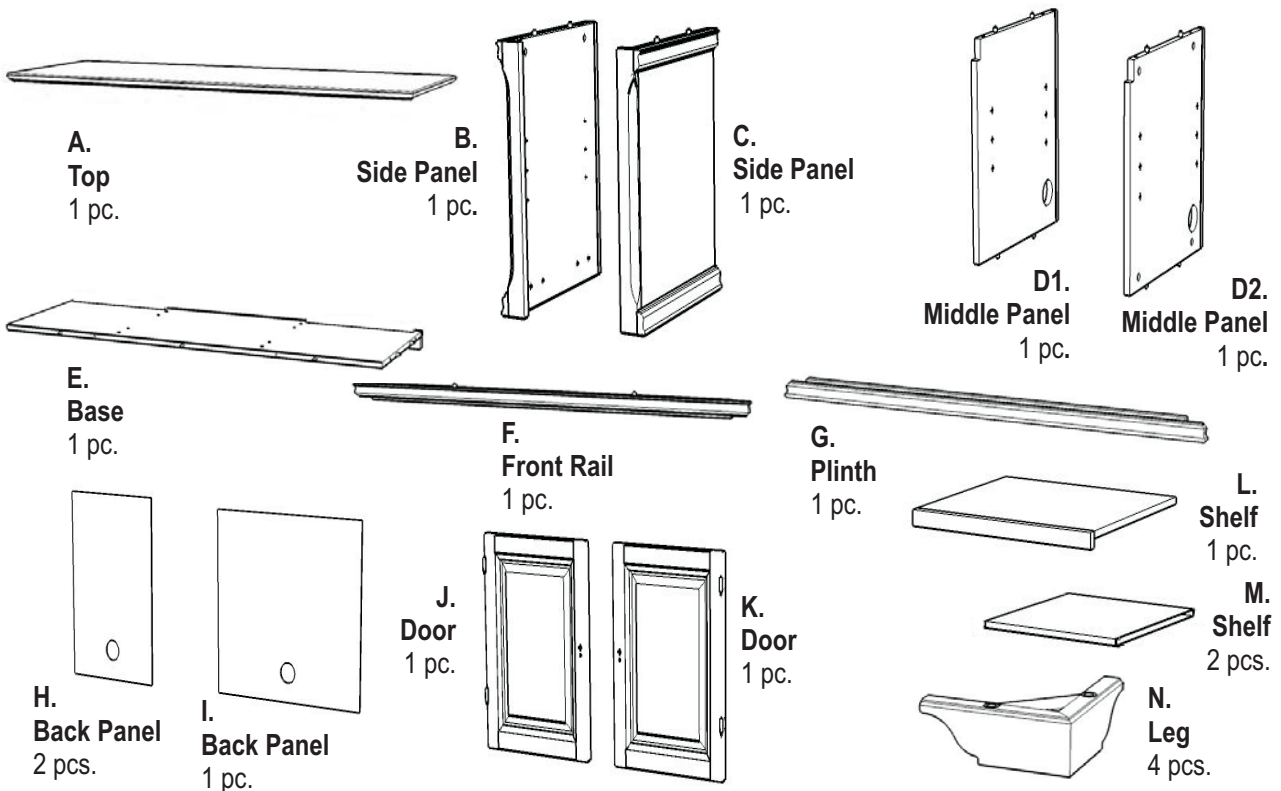
We have taken great care in the design of this product and request that you carefully and strictly follow our assembly instructions to ensure a completed product as it was designed.



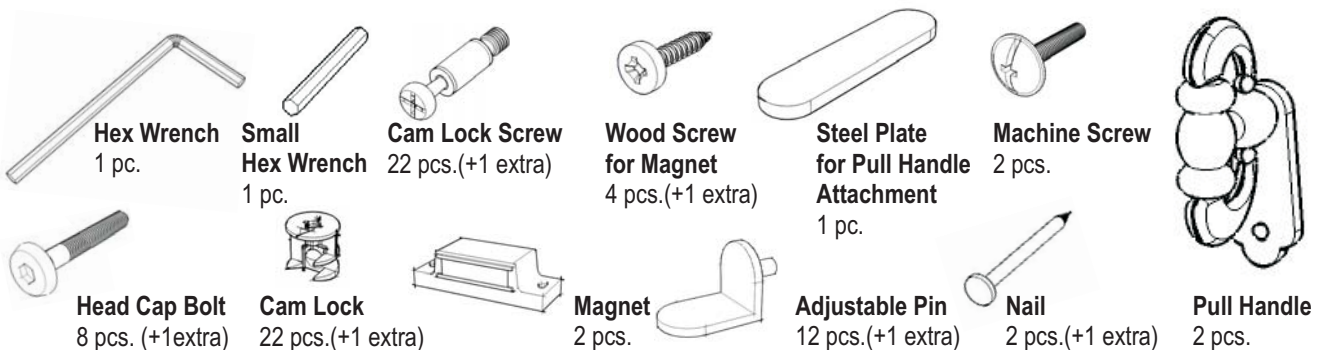
Home Styles

Casual Attire For Today's Home

Part List



Hardware List



Tools required for assembly : Phillips screwdriver

Home Styles Consumer Assistance Line 888-680-7460 and 877-831-0319
servicedesk@homestyles-furniture.com

IMPORTANT

Do not tighten up all the screws until each part is properly assembled.

You should keep Hex Wrench in a safe place as you may need to tighten up the Head Cap Bolts in the future.

STEP 1

Attach 2X Magnets to Front Rail (F) by using Wood Screws (see Figure 1).

Insert Cam Lock Screws into the pre-drilled holes of Top (A), then attach Front Rail (F) to Top (A) with Cam Locks (see Figure 2).

Insert Cam Lock Screws into the pre-drilled holes of Side Panel (B) and (C), Base (E), Plinth (G).

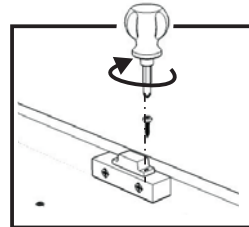
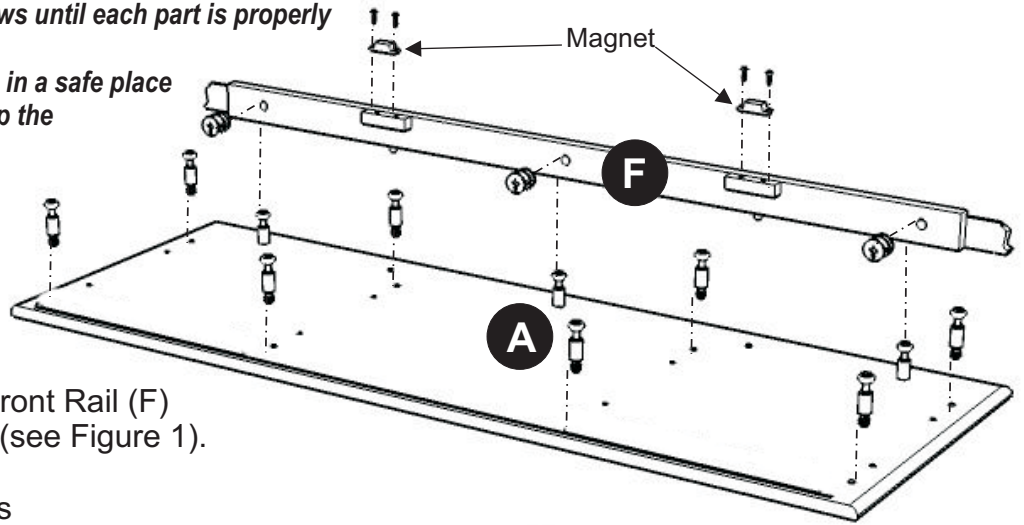


Figure 1

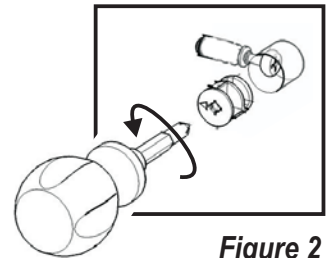
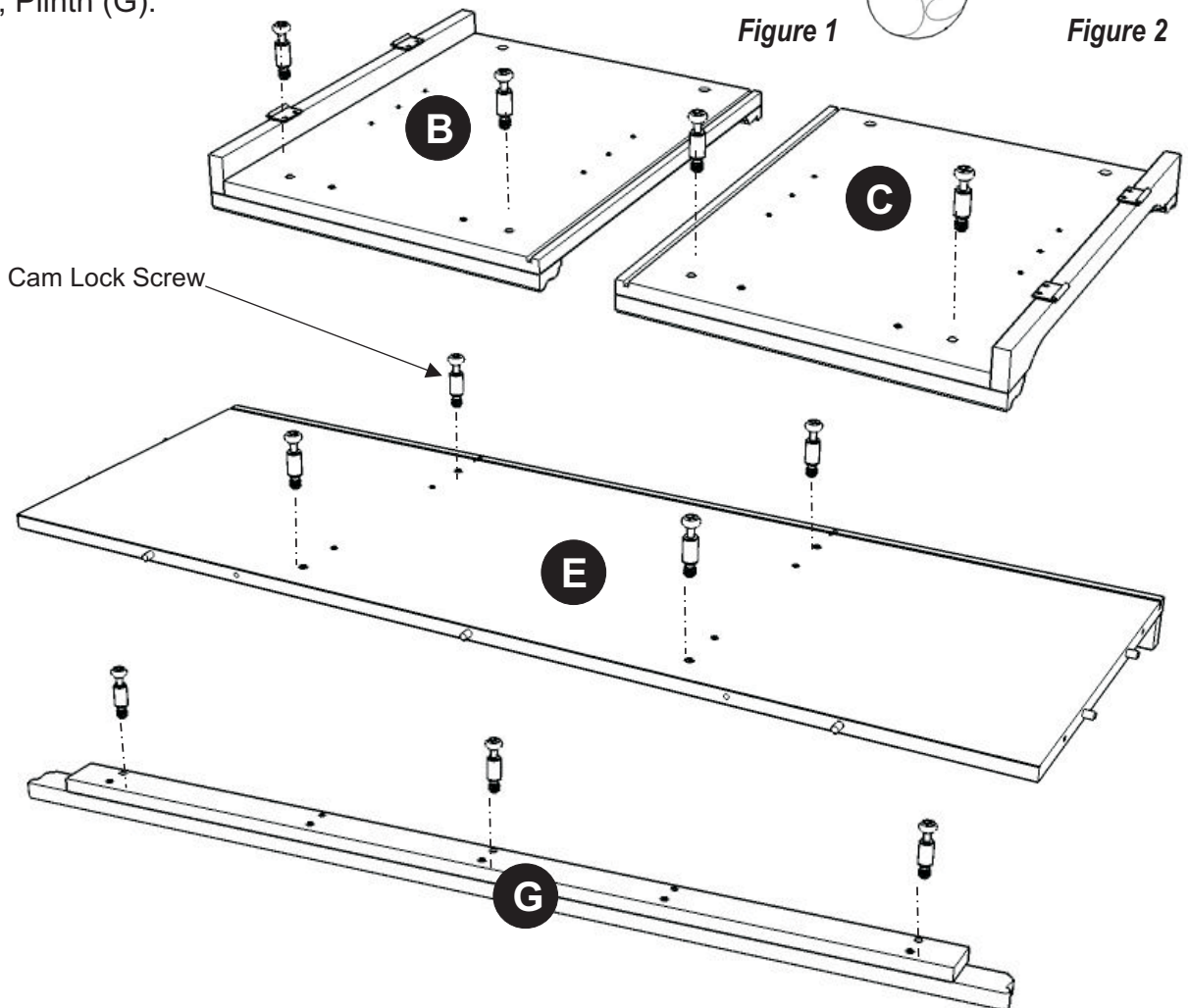


Figure 2



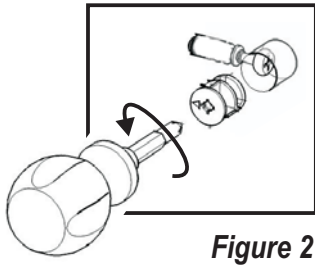
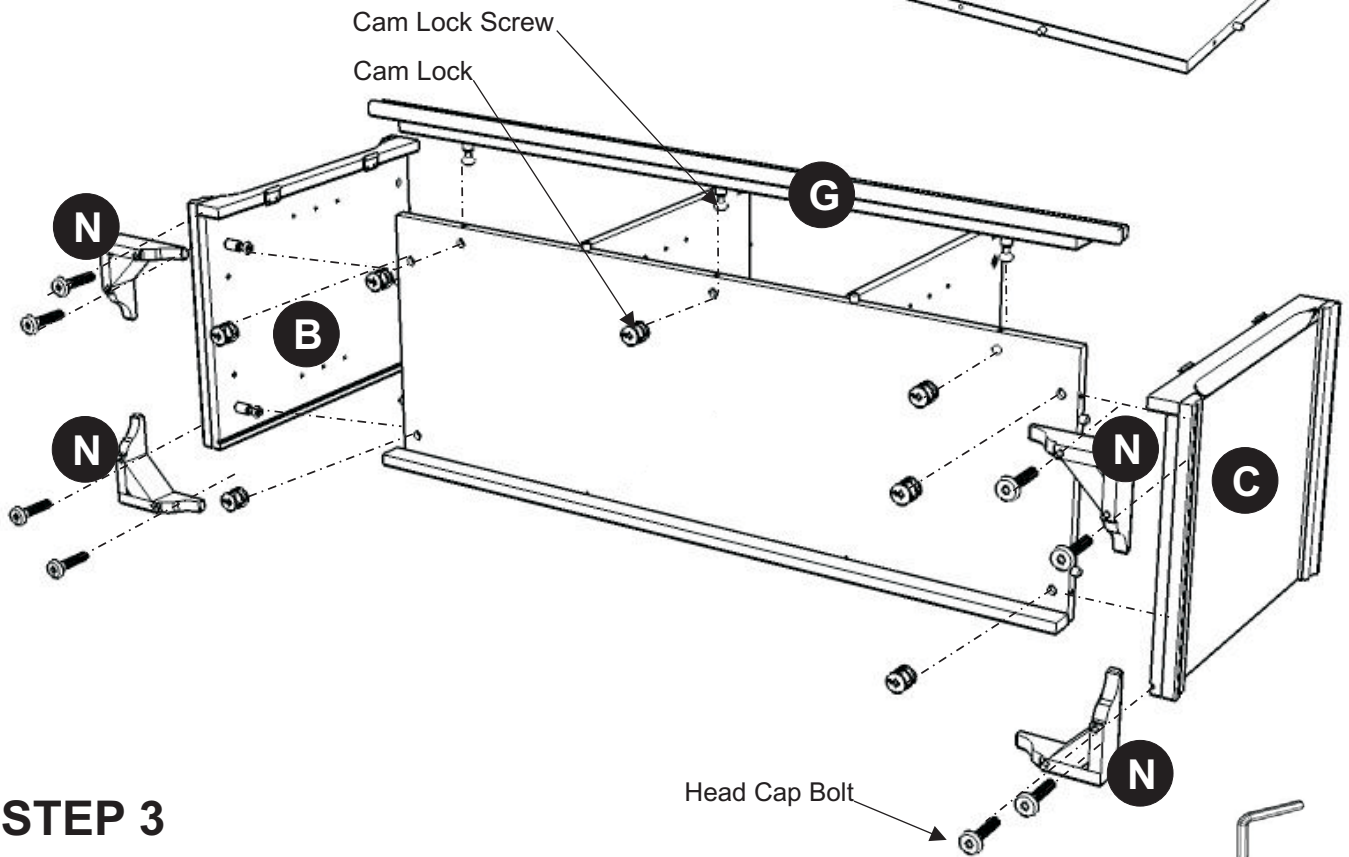
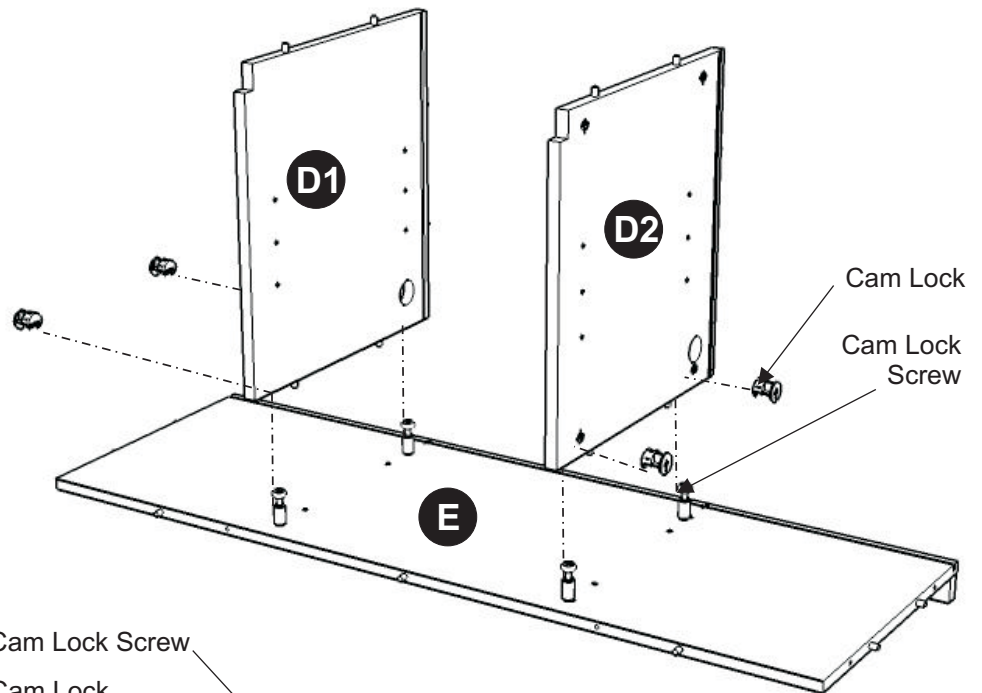


Figure 2

STEP 2

Attach Middle Panel (D1) and (D2) onto Base (E) with Cam Locks (see Figure 2).



STEP 3

Attach Plinth (G) to the unit with Cam Locks, then attach Side Panel (B) and (C) to the unit with Cam Locks.

Attach Legs (N) to the unit with Head Cap Bolts (see Figure 3).

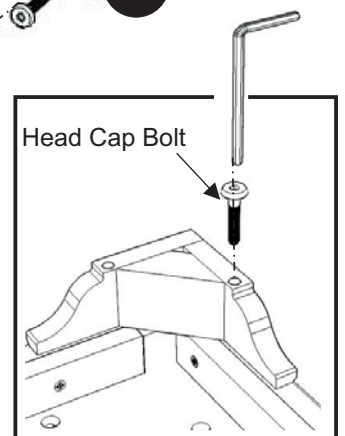


Figure 3

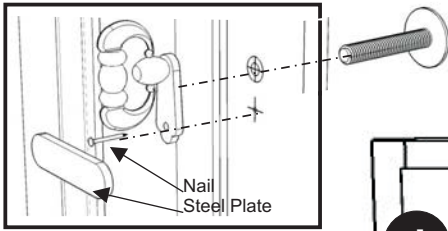


Figure 4

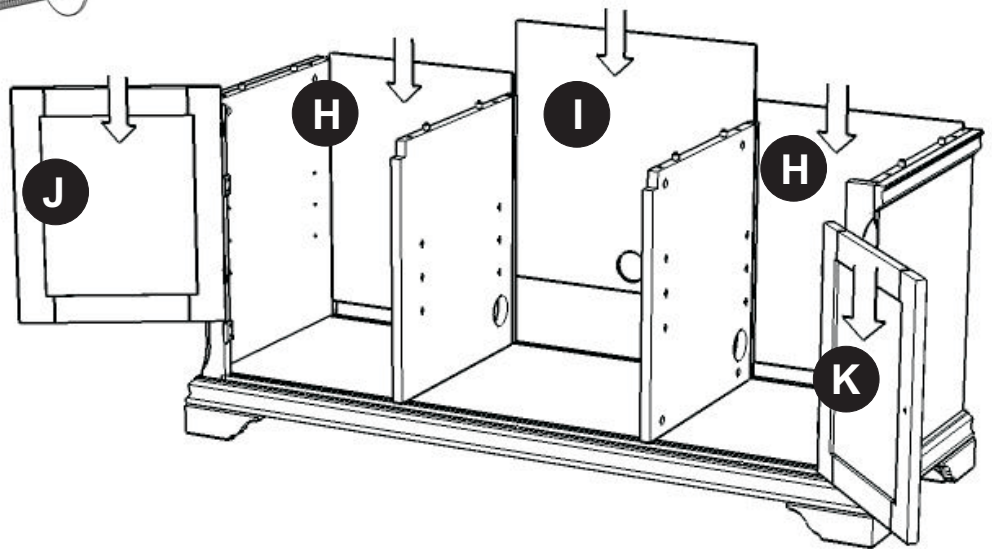


Figure 5

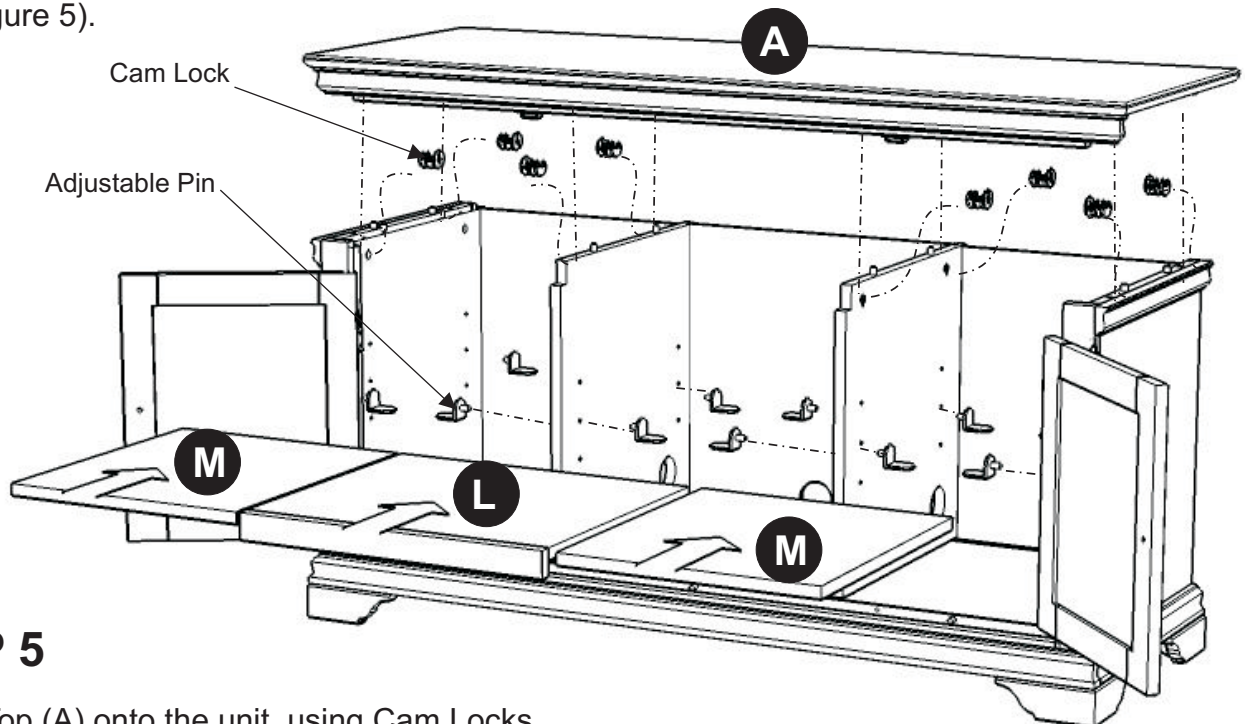
STEP 4

Slide Back Panels (H) and (I) into place.

Assemble Pull Handles to Doors (J) and (K) with Machine Screws.

Use the Steel Plate to firmly push the nail through the hole in the Pull Handle and into the pre-drilled hole in the door (see Figure 4).

Attach Doors (J) and (K) by sliding the door lift hinges into the side panels lift hinges (see Figure 5).



STEP 5

Place Top (A) onto the unit, using Cam Locks.

Insert Adjustable Pins into side panels and middle panels at the desired level.

Place Shelves (L) and (M) into position.