

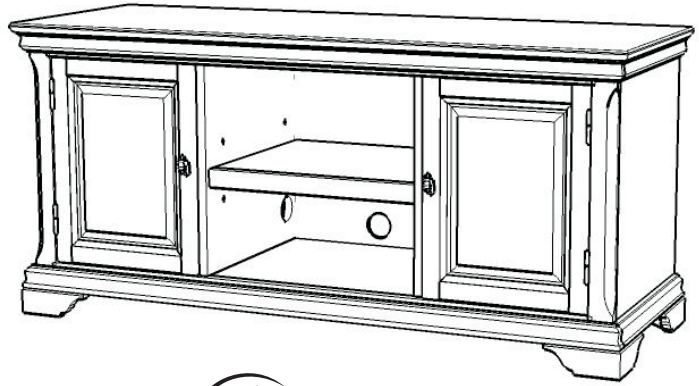
**88 5537 121**

# The Lafayette Entertainment Stand

## IMPORTANT NOTE

Carefully remove all the parts from the carton and put them individually on a soft cloth to prevent scratches or other damages occurring to the wood parts.

We have taken great care in the design of this product and request that you carefully and strictly follow our assembly instructions to ensure a completed product as it was designed.



Casual Attire For Today's Home

## Part List



**A.**  
**Top**  
1 pc.



**E.**  
**Base**  
1 pc.



**F.**  
**Front Rail**  
1 pc.



**G.**  
**Plinth**  
1 pc.



**M.**  
**Shelf**  
2 pcs.

## Hardware List



**Hex Wrench**  
1 pc.



**Cam Lock Screw**  
22 pcs.(+1 extra)



**Wood Screw for Back Panel**  
12 pcs.(+1 extra)



**Wood Screw for Magnet**  
4 pcs.(+1 extra)



**Steel Plate for Pull Handle Attachment**  
1 pc.



**Machine Screw**  
2 pcs.



**Head Cap Bolt**  
8 pcs. (+1 extra)



**Cam Lock**  
22 pcs.(+1 extra)



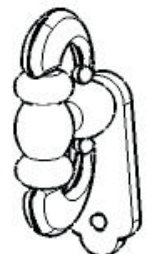
**Magnet**  
2 pcs.



**Adjustable Pin**  
12 pcs.(+1 extra)



**Nail**  
2 pcs.(+1 extra)



**Pull Handle**  
2 pcs.

**For assembly see instructions in carton 88 5537 122**

Tools required for assembly : Phillips screwdriver

**Home Styles Consumer Assistance Line 888-680-7460 and 877-831-0319**  
**servicedesk@homestyles-furniture.com**

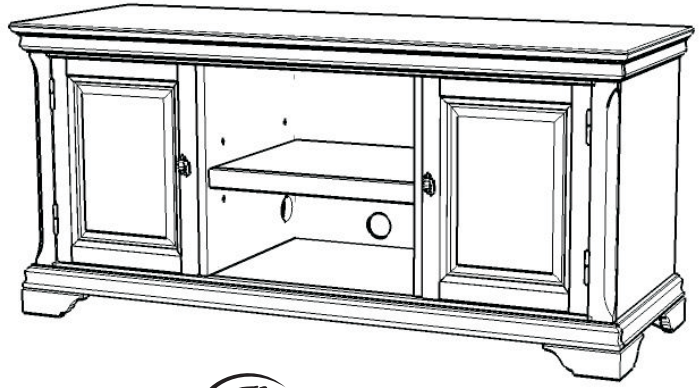
# 88 5537 122

## The Lafayette Entertainment Stand

### IMPORTANT NOTE

Carefully remove all the parts from the carton and put them individually on a soft cloth to prevent scratches or other damages occurring to the wood parts.

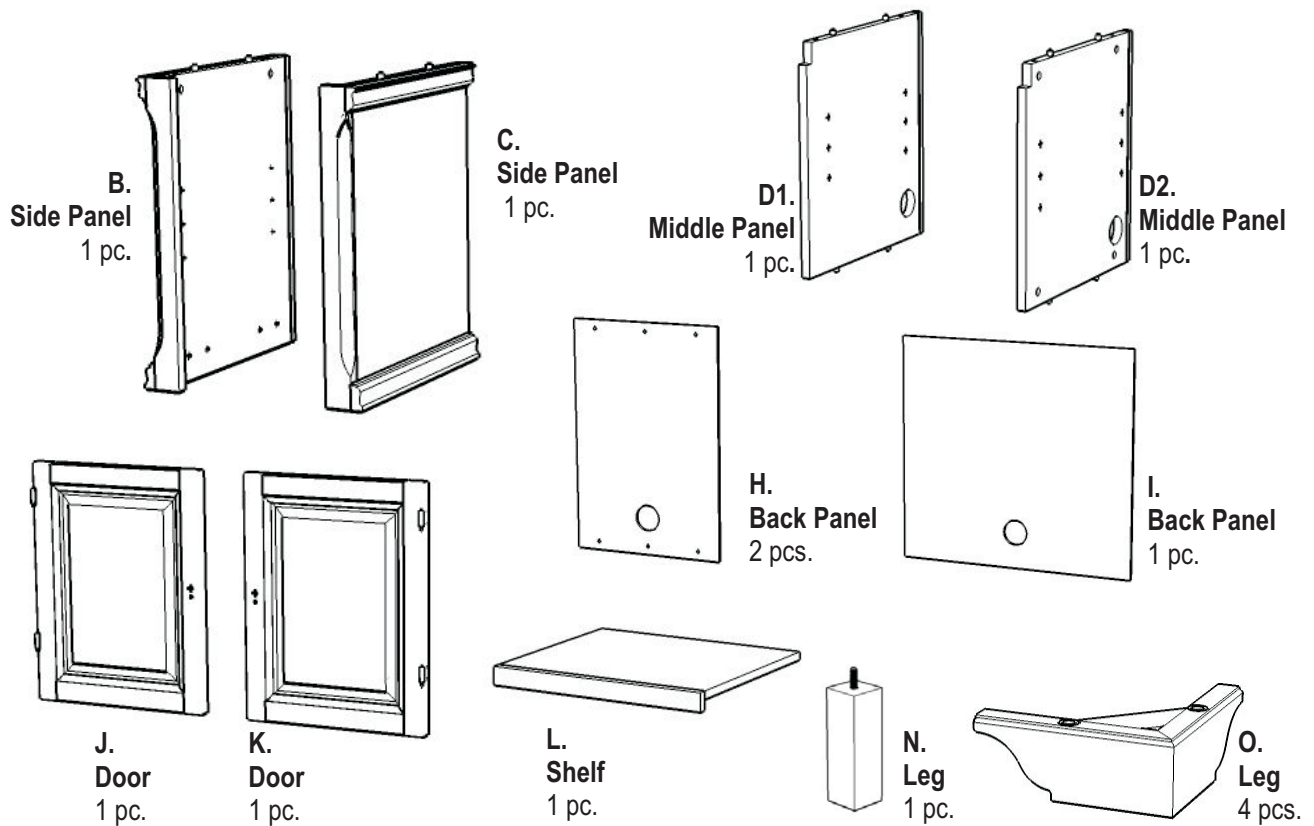
We have taken great care in the design of this product and request that you carefully and strictly follow our assembly instructions to ensure a completed product as it was designed.



*Home Styles*

Casual Attire For Today's Home

## Part List (in this carton)



**Also need the following from carton 88 5537 121 :**

### Part List in carton 88 5537 121

|                |        |
|----------------|--------|
| Top (A)        | 1 pc.  |
| Base (E)       | 1 pc.  |
| Front Rail (F) | 1 pc.  |
| Plinth (G)     | 1 pc.  |
| Shelf (M)      | 2 pcs. |

### Hardware List in carton 88 5537 121

|                                        |         |
|----------------------------------------|---------|
| Hex Wrench                             | 1 pc.   |
| Head Cap Bolt                          | 9 pcs.  |
| Cam Lock Screw                         | 23 pcs. |
| Cam Lock                               | 23 pcs. |
| Magnet                                 | 2 pcs.  |
| Wood Screw for Magnet                  | 5 pcs.  |
| Wood Screw for Back Panel              | 13 pcs. |
| Adjustable Pin                         | 12 pcs. |
| Pull Handle                            | 2 pcs.  |
| Machine Screw                          | 2 pcs.  |
| Nail                                   | 3 pcs.  |
| Steel Plate For Pull Handle Attachment | 1 pc.   |

Tools required for assembly : Phillips screwdriver

**Home Styles Consumer Assistance Line 888-680-7460 and 877-831-0319**  
**servicedesk@homestyles-furniture.com**

# Assembly Instructions 2/5

## IMPORTANT

Do not tighten up all the screws until each part is properly assembled.

You should keep Hex Wrench in a safe place as you may need to tighten up the Head Cap Bolts in the future.

## STEP 1

Attach 2X Magnets to Front Rail (F) by using Wood Screws (see Figure 1).

Insert Cam Lock Screws into the pre-drilled holes of Top (A), then attach Front Rail (F) to Top (A) with Cam Locks (see Figure 2).

Insert Cam Lock Screws into the pre-drilled holes of Side Panel (B) and (C), Base (E), Plinth (G).

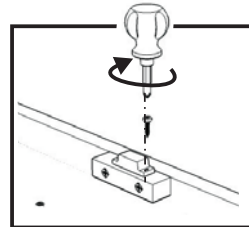
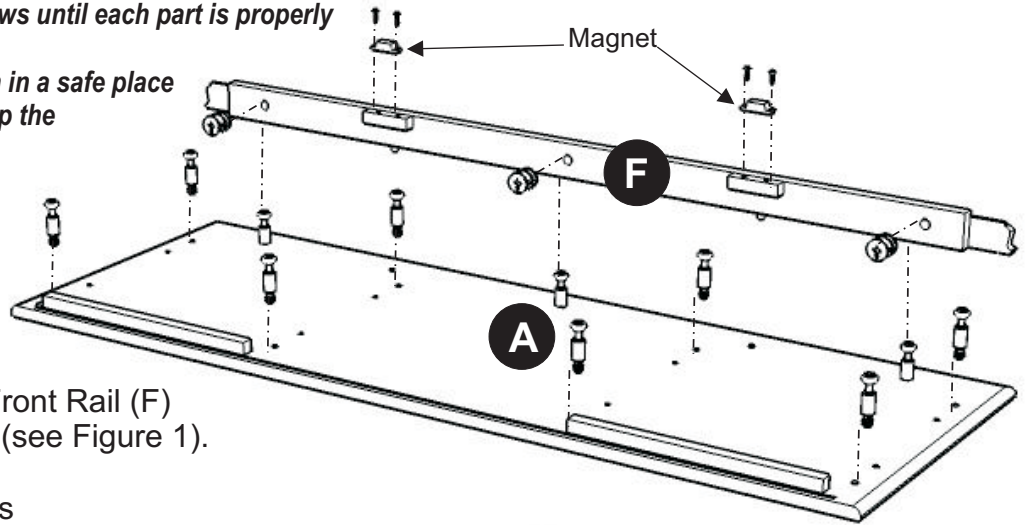


Figure 1

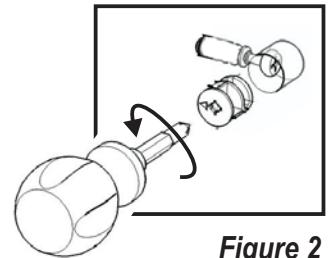
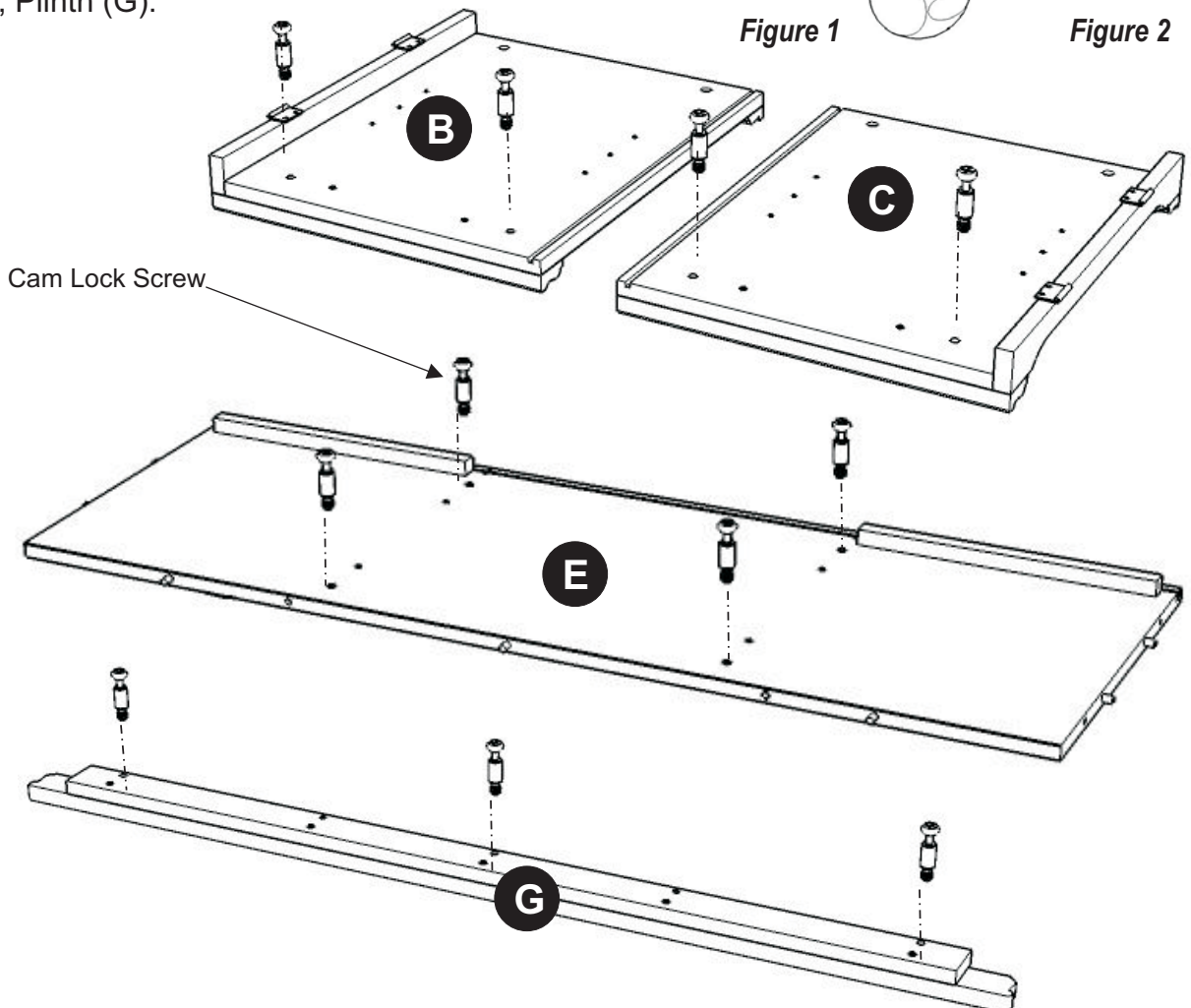
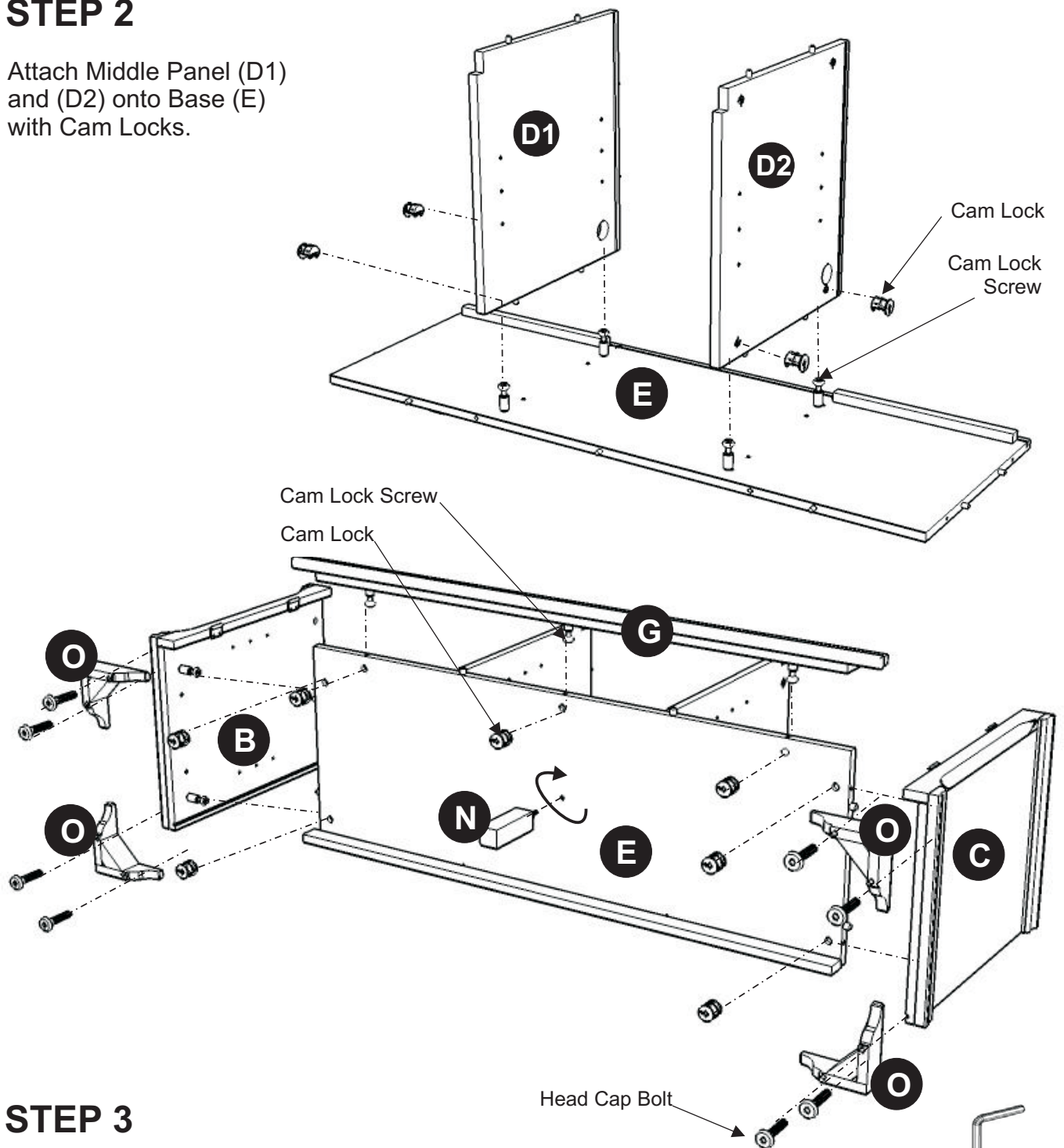


Figure 2



## STEP 2

Attach Middle Panel (D1) and (D2) onto Base (E) with Cam Locks.



## STEP 3

Attach Plinth (G) to the unit with Cam Locks.

Attach Side Panel (B) and (C) to the unit with Cam Locks.

Attach Legs (O) to the unit with Head Cap Bolts (see Figure 3).

Tighten up Leg (N) in the pre-drilled hole of unit as shown.

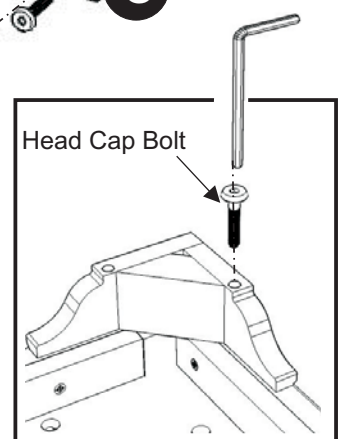


Figure 3

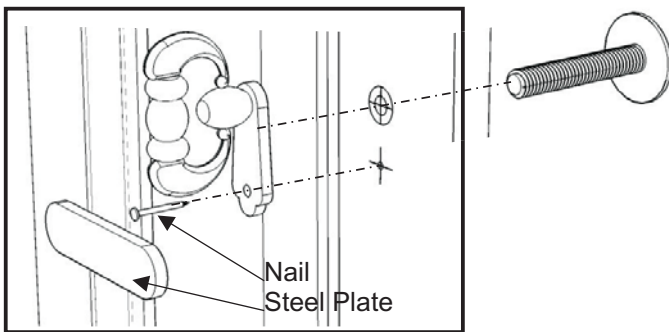
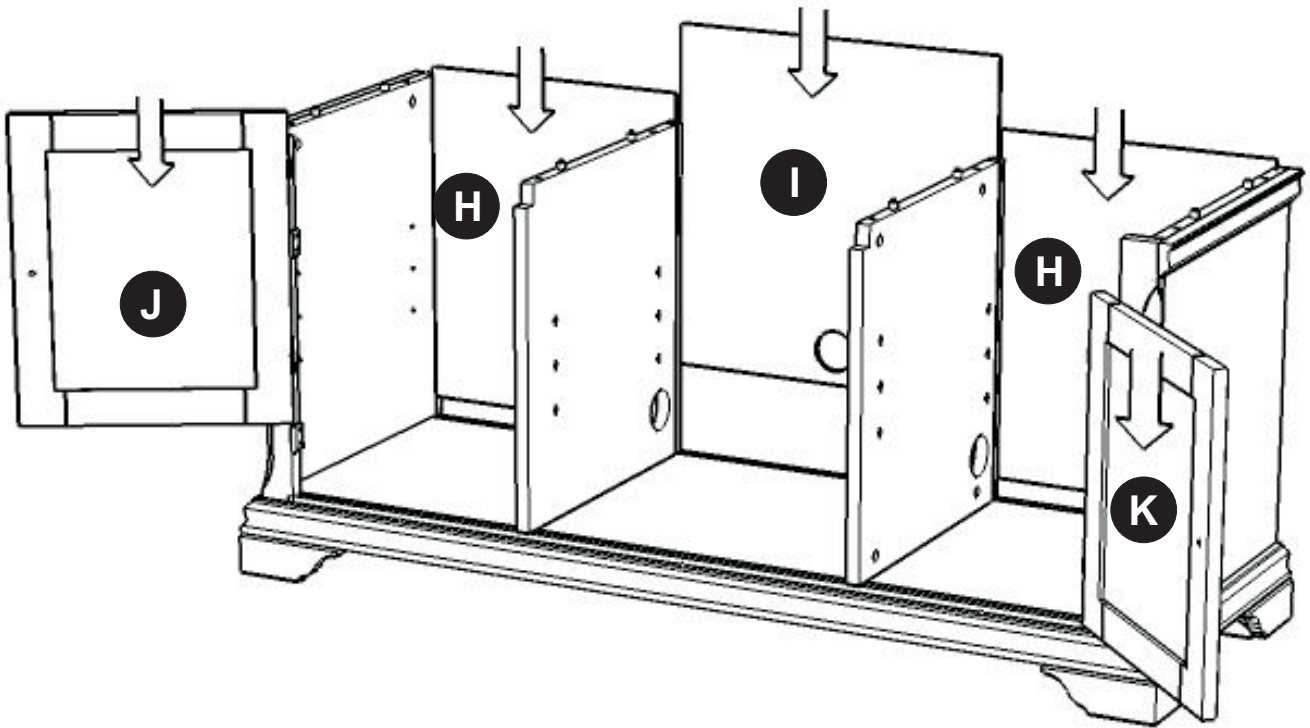


Figure 4

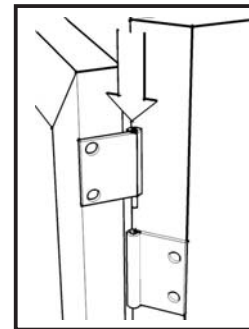


Figure 5

## STEP 4

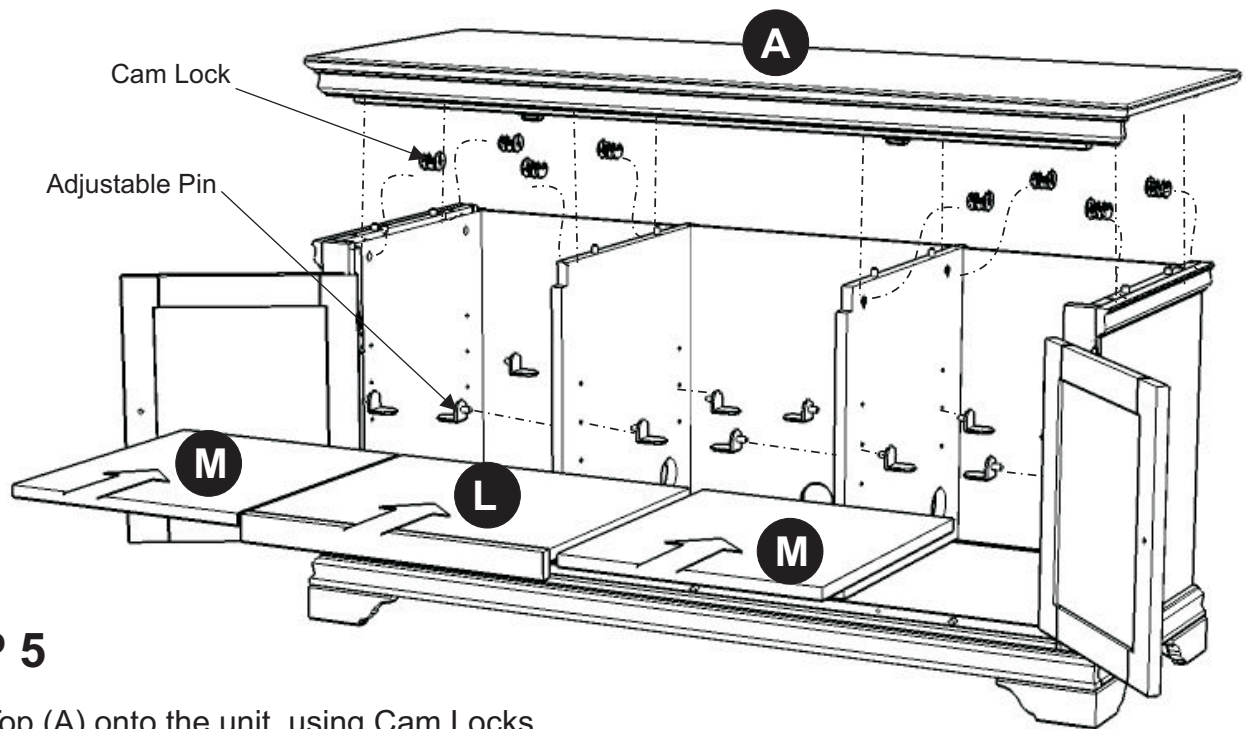
Slide Back Panels (H) and (I) into place.

Assemble Pull Handles to Doors (J) and (K) with Machine Screws.

Use the Steel Plate to firmly push the nail through the hole in the Pull Handle and into the pre-drilled hole in the door (see Figure 4).

Attach Doors (J) and (K) by sliding the door lift hinges into the side panels lift hinges (see Figure 5).

# Assembly Instructions 5/5

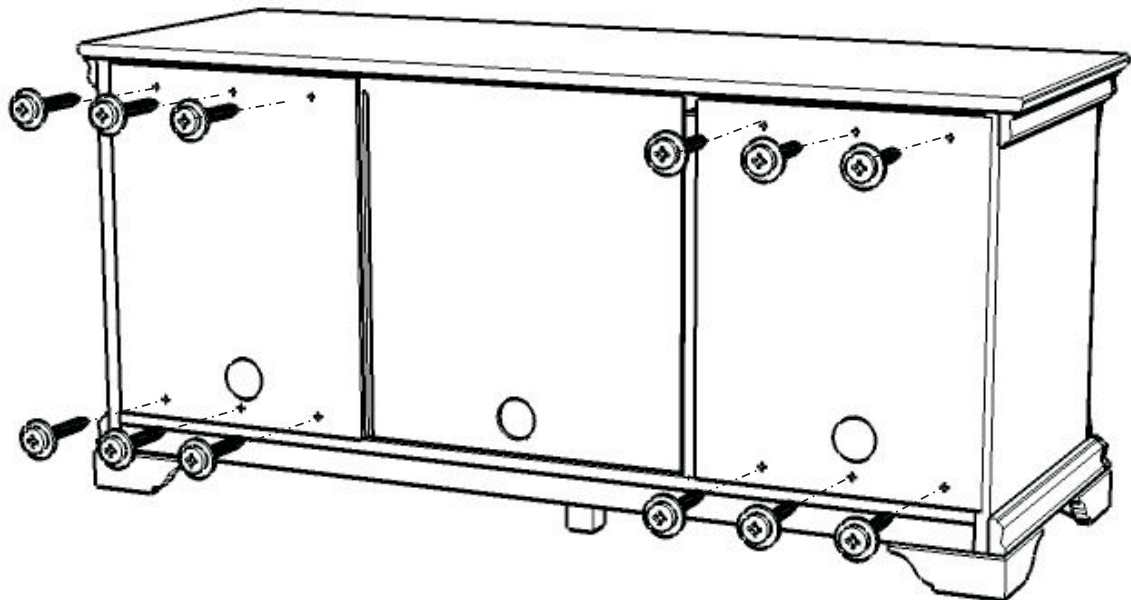


## STEP 5

Place Top (A) onto the unit, using Cam Locks.

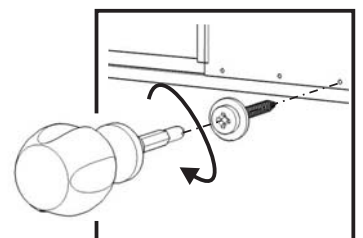
Insert Adjustable Pins into side panels and middle panels at the desired level.

Place Shelves (L) and (M) into position.



## STEP 6

Insert 12X Wood Screws from the back of the unit, tighten up all the Wood Screws (see Figure 6).



**Note:** Please make sure unit is level before tightening these screws.

Figure 6