

88 5537 131 The Lafayette Pier Unit

IMPORTANT NOTE

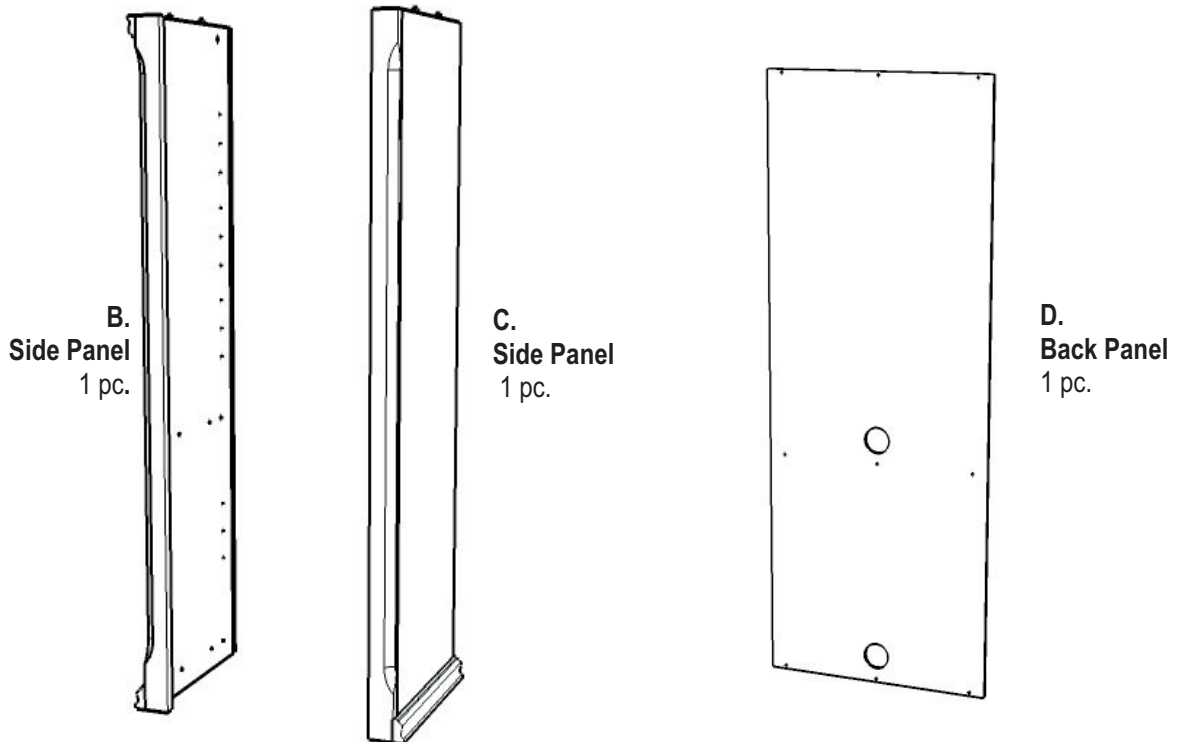
Carefully remove all the parts from the carton and put them individually on a soft cloth to prevent scratches or other damages occurring to the wood parts.

We have taken great care in the design of this product and request that you carefully and strictly follow our assembly instructions to ensure a completed product as it was designed.

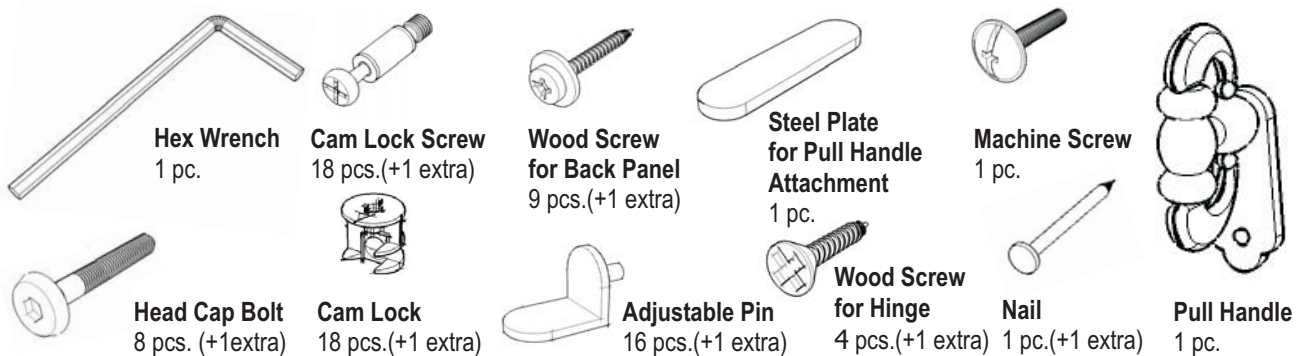
Home Styles
Casual Attire For Today's Home



Part List



Hardware List



For assembly see instructions in carton 88 5537 132

Tools required for assembly : Phillips screwdriver

Home Styles Consumer Assistance Line 888-680-7460 and 877-831-0319
servicedesk@homestyles-furniture.com

88 5537 132 The Lafayette Pier Unit

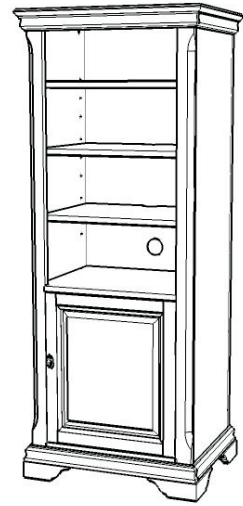
IMPORTANT NOTE

Carefully remove all the parts from the carton and put them individually on a soft cloth to prevent scratches or other damages occurring to the wood parts.

We have taken great care in the design of this product and request that you carefully and strictly follow our assembly instructions to ensure a completed product as it was designed.



Casual Attire For Today's Home



Part List



A.
Top
1 pc.



E.
Front Rail
1 pc.



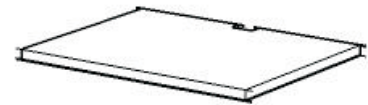
F.
Fixed Shelf
1 pc.



G.
Base
1 pc.



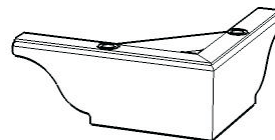
H.
Plinth
1 pc.



I.
Shelf
4 pcs.



J.
Door
1 pc.



K.
Leg
4 pcs.

Also need the following from carton 88 5537 131 :

Part List in carton 88 5537 131

Side Panel (B)	1 pc.
Side Panel (C)	1 pc.
Back Panel (D)	1 pc.

Hardware List in carton 88 5537 131

Hex Wrench	1 pc.
Head Cap Bolt	9 pcs.
Cam Lock Screw	19 pcs.
Cam Lock	19 pcs.
Wood Screw for Back Panel	10 pcs.
Wood Screw for Hinge	5 pcs.
Adjustable Pin	17 pcs.
Pull Handle	1 pc.
Machine Screw	1 pc.
Nail	2 pcs.
Steel Plate For Pull Handle attachment	1 pc.

Tools required for assembly: Phillips screwdriver

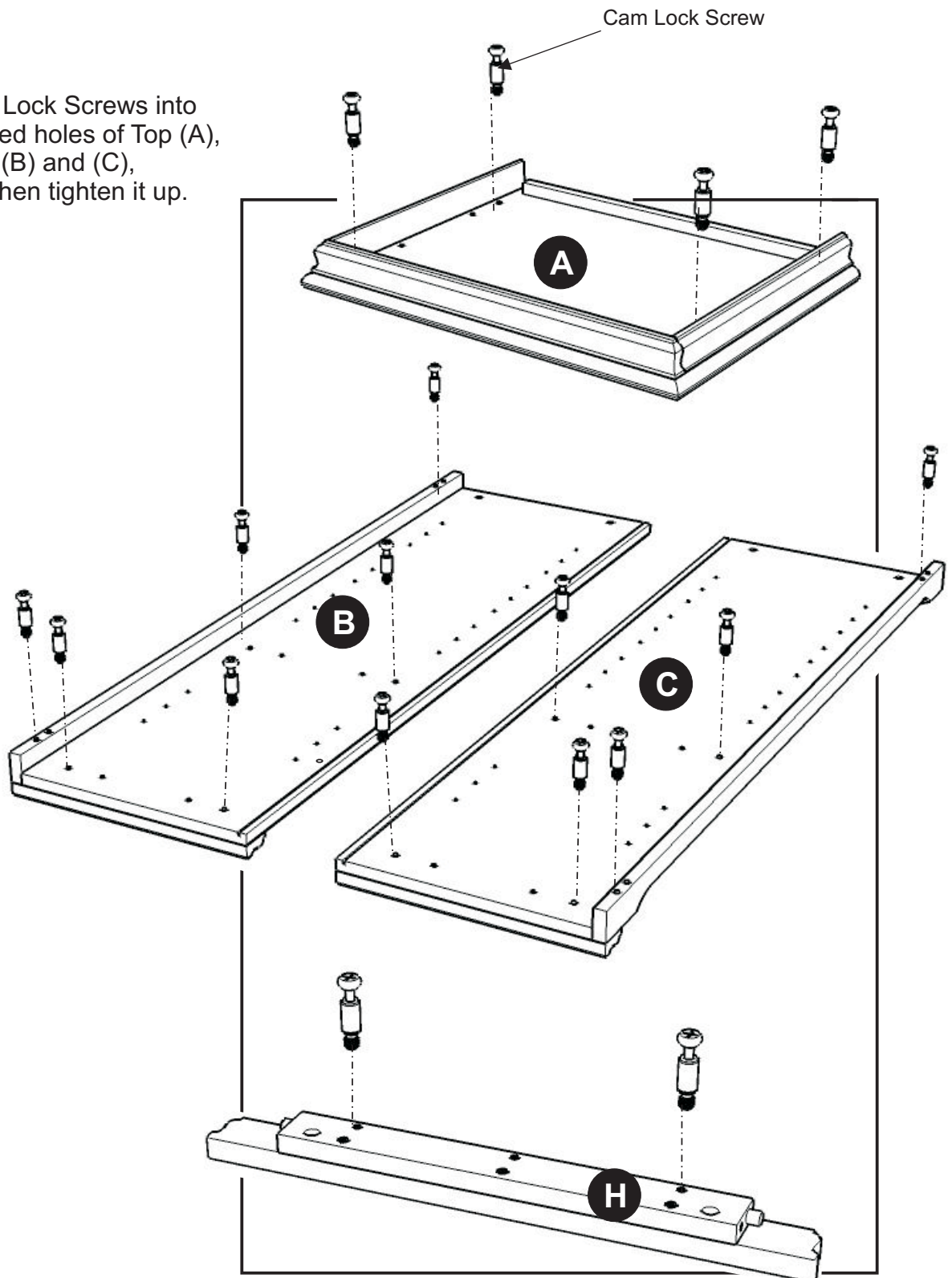
Home Styles Consumer Assistance Line 888-680-7460 and 877-831-0319
servicedesk@homestyles-furniture.com

IMPORTANT

Do not tighten up all the screws until each part is properly assembled.

STEP 1

Insert Cam Lock Screws into the pre-drilled holes of Top (A), Side Panel (B) and (C), Plinth (H), then tighten it up.



STEP 2

Attach Plinth (H) to Base (G) with Cam Locks.

Attach Front Piece (E), Fixed Shelf (F), and Base (G) to Side Panel (B) with Cam Locks. (See figure 1)

Slide Back Panel (D) into place.

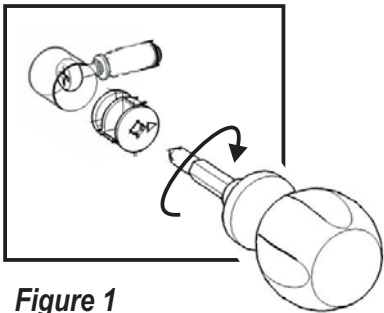
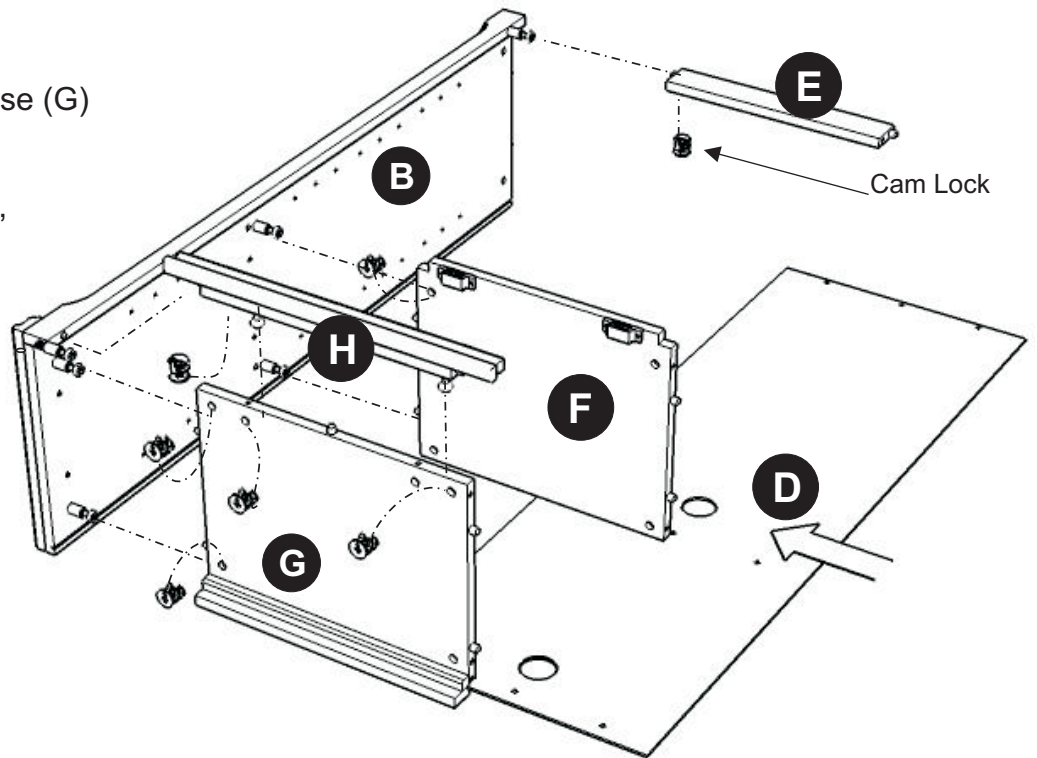


Figure 1

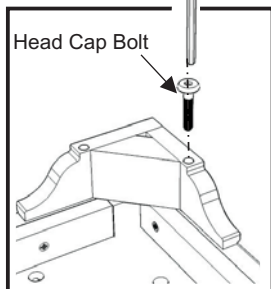
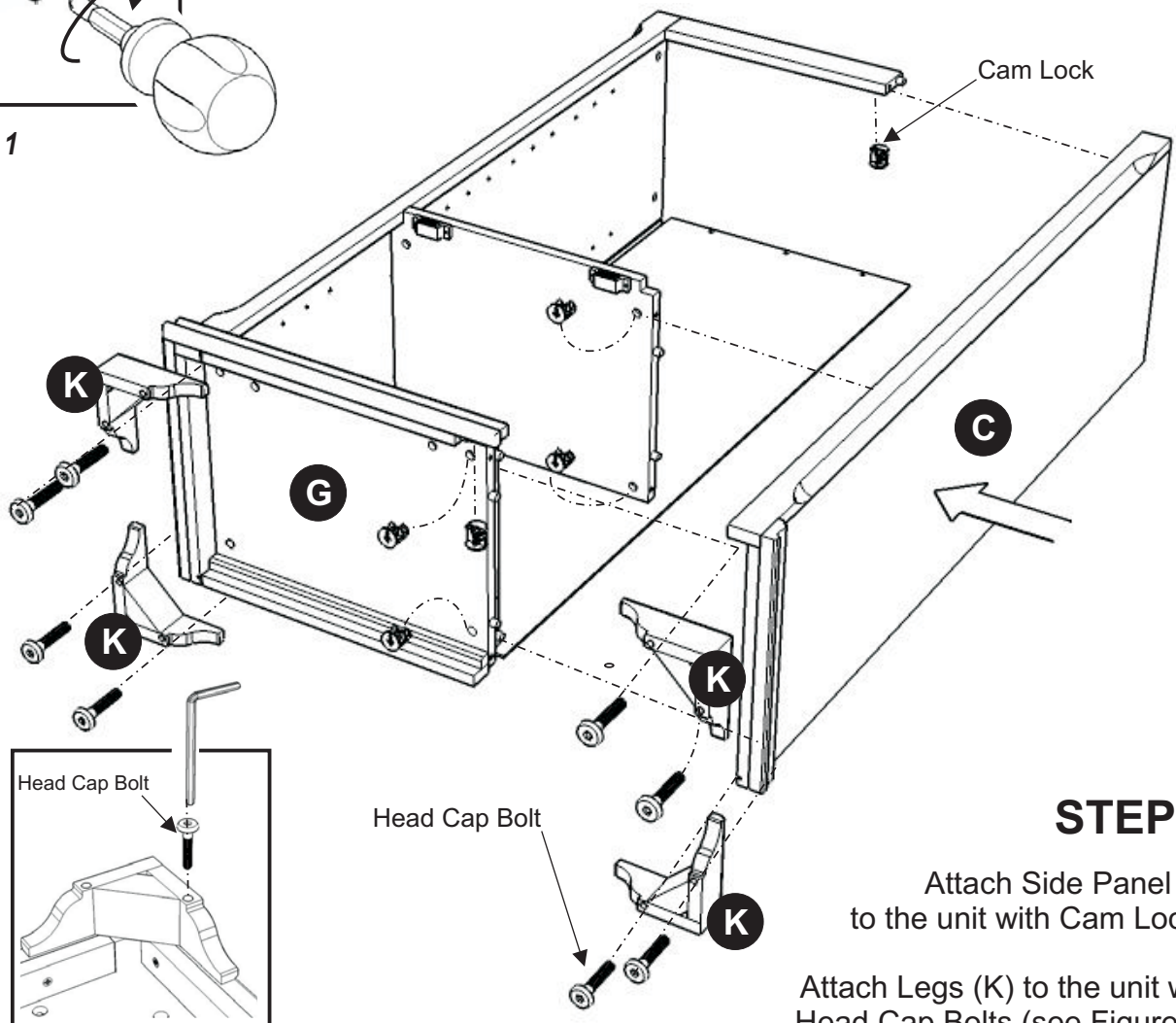


Figure 2

STEP 3

Attach Side Panel (C) to the unit with Cam Locks.

Attach Legs (K) to the unit with Head Cap Bolts (see Figure 2).

STEP 4

Turn the unit to its upright position.

Place Top (A) onto the unit with Cam Locks.

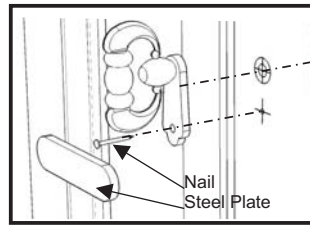


Figure 3

Customer Option:

The door can be attached on the unit so that it opens either to the left or to the right.

Attach Pull Handle to the door, using Machine Screw.

Use the Steel Plate to firmly push the nail through the hole in the Pull Handle and into the pre-drilled hole in the door (see Figure 3).

Attach Door (J) to the unit by attaching the hinges to the side panel with Wood Screws (See figure 4).

Insert Adjustable Pins into side panels at the desired level.

Place Shelves (I) into position.

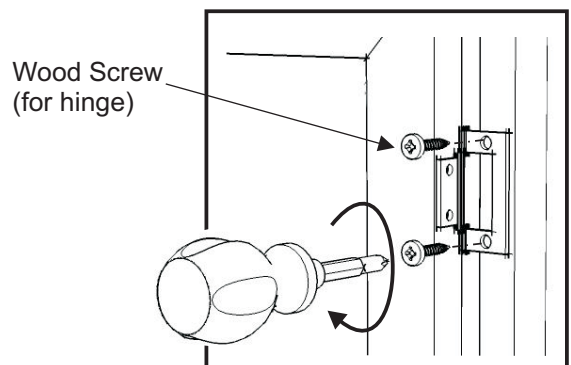
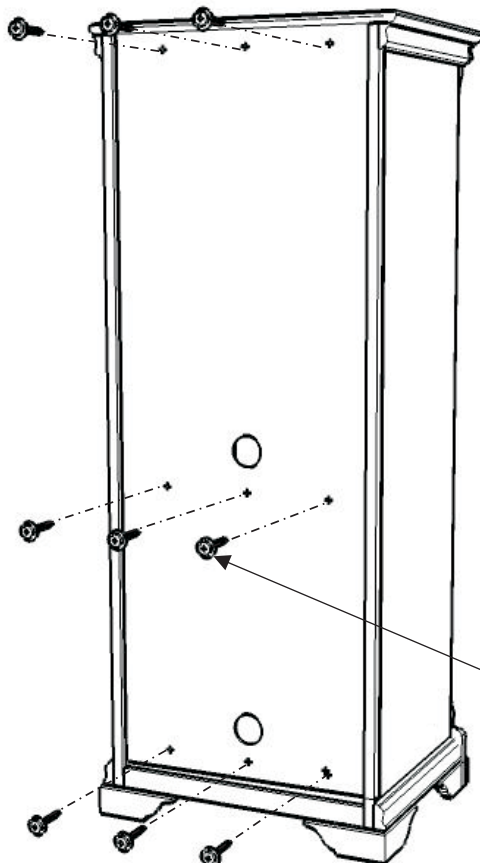
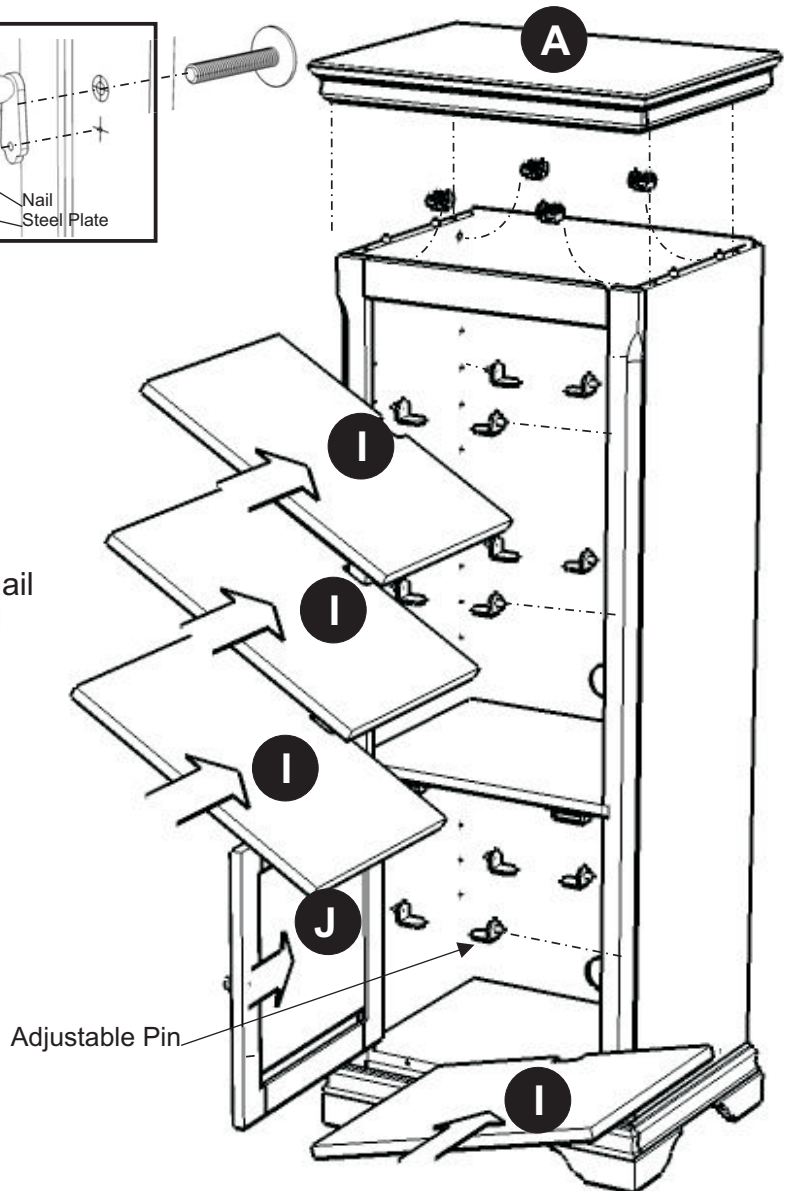


Figure 4

STEP 5

Insert 9X Wood Screws into the pre-drilled holes of back panel.