

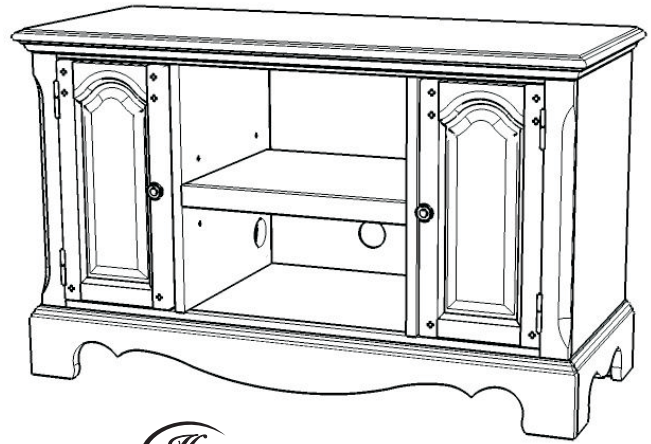
# 88 5538 09

## Country Casual Entertainment Stand

### IMPORTANT NOTE

Carefully remove all the parts from the carton and put them individually on a soft cloth to prevent scratches or other damages occurring to the wood parts.

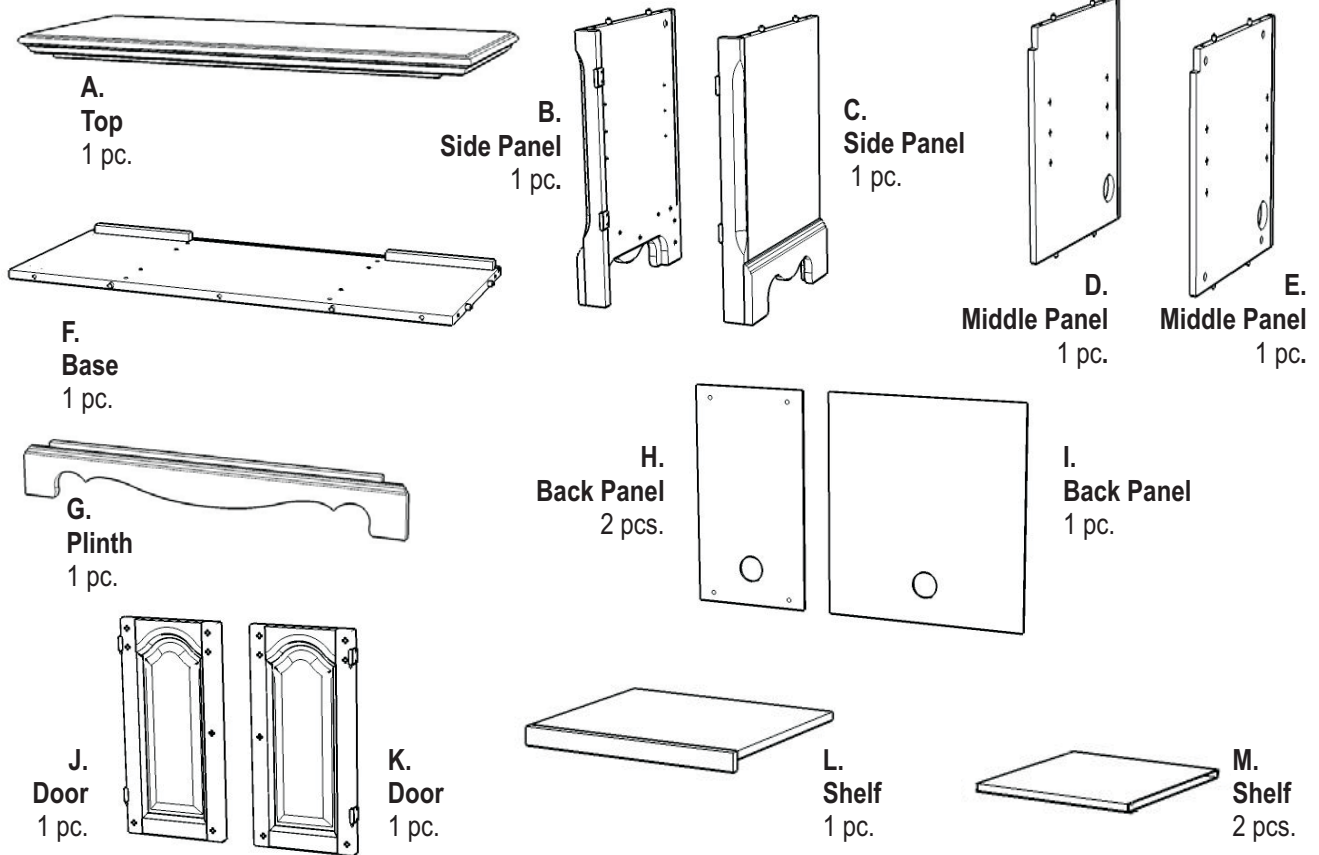
We have taken great care in the design of this product and request that you carefully and strictly follow our assembly instructions to ensure a completed product as it was designed.



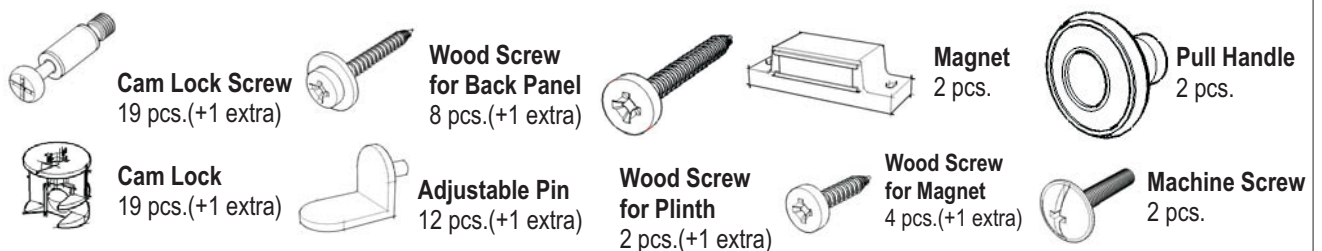
*Home  
Styles*

Casual Attire For Today's Home

### Part List



### Hardware List

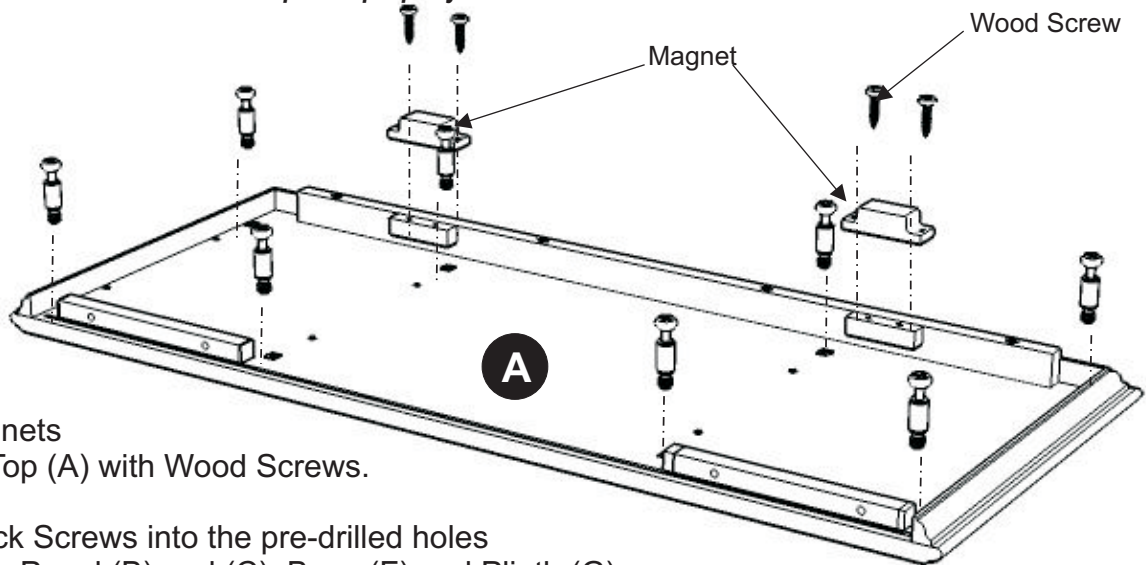


Tools required for assembly: **Phillips** screwdriver

**Home Styles Consumer Assistance Line 888-680-7460 and 877-831-0319**  
**servicedesk@homestyles-furniture.com**

**IMPORTANT**

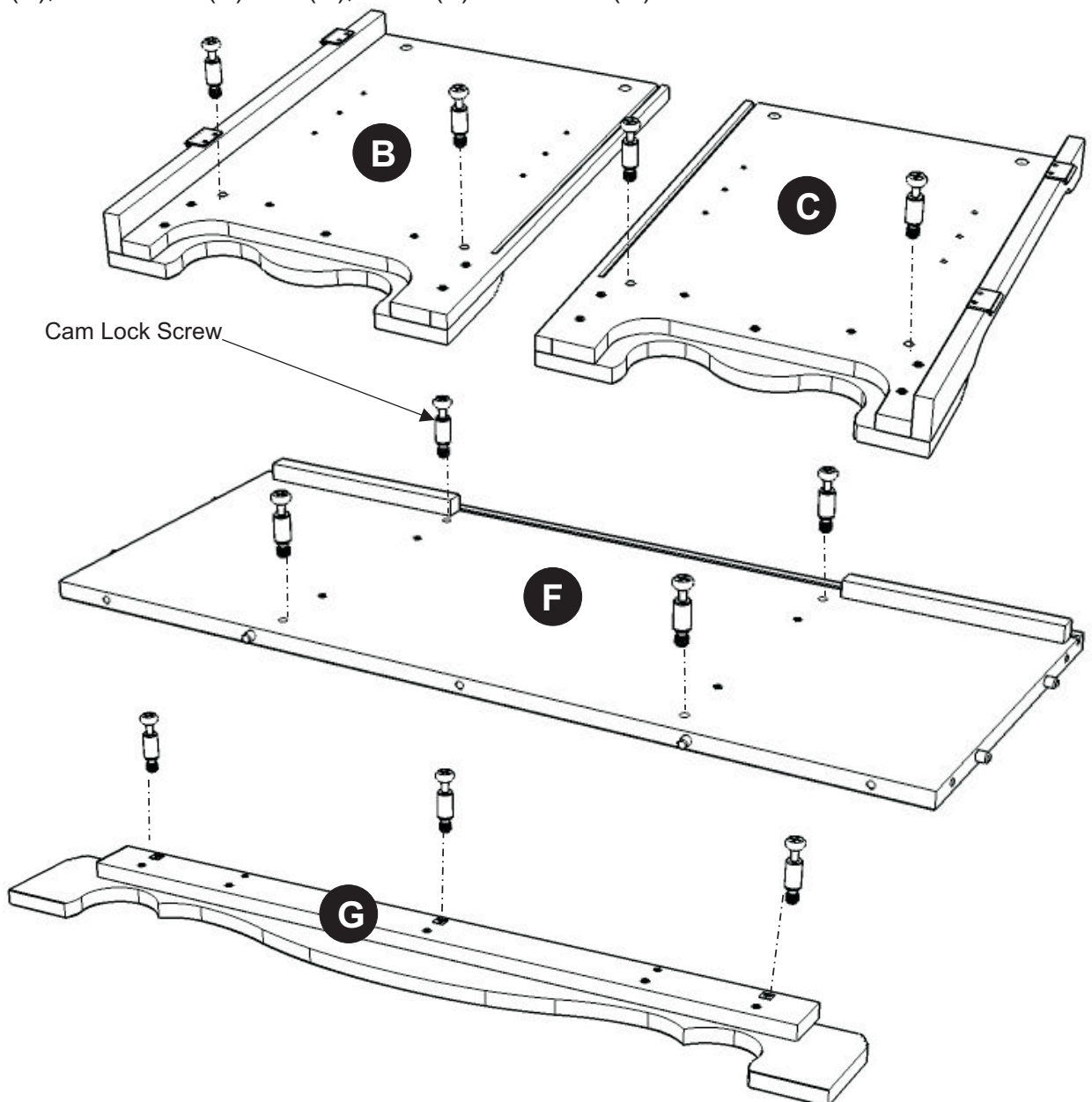
*Do not tighten up all the screws until each part is properly assembled.*



## STEP 1

Attach 2X Magnets to front rail of Top (A) with Wood Screws.

Insert Cam Lock Screws into the pre-drilled holes of Top (A), Side Panel (B) and (C), Base (F) and Plinth (G).



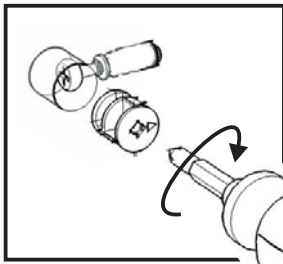
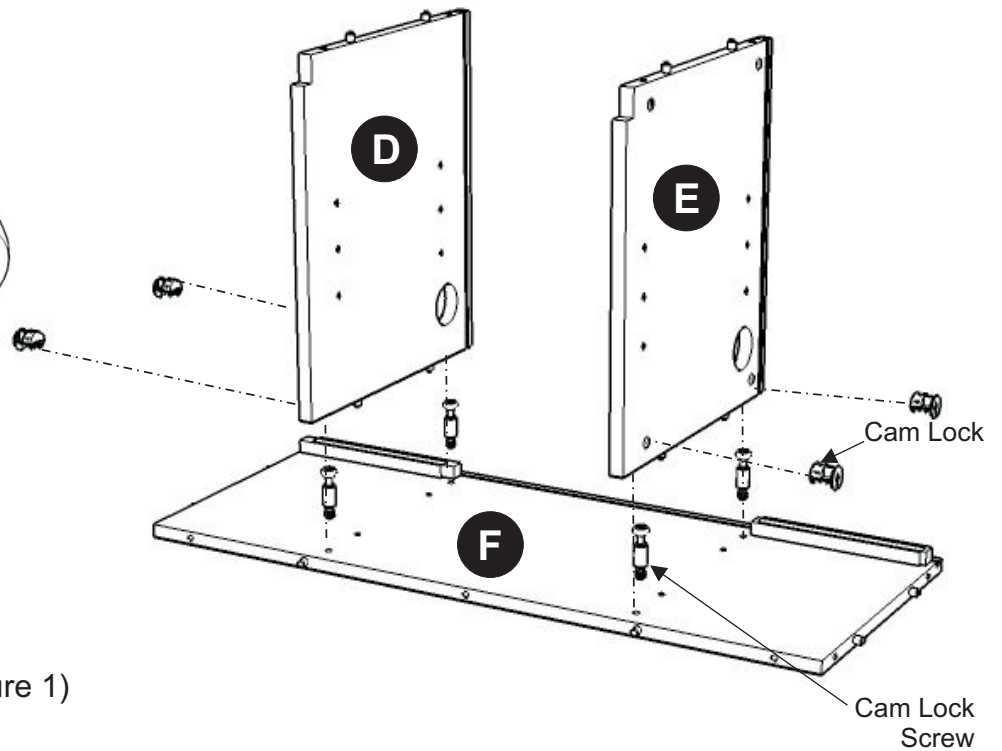
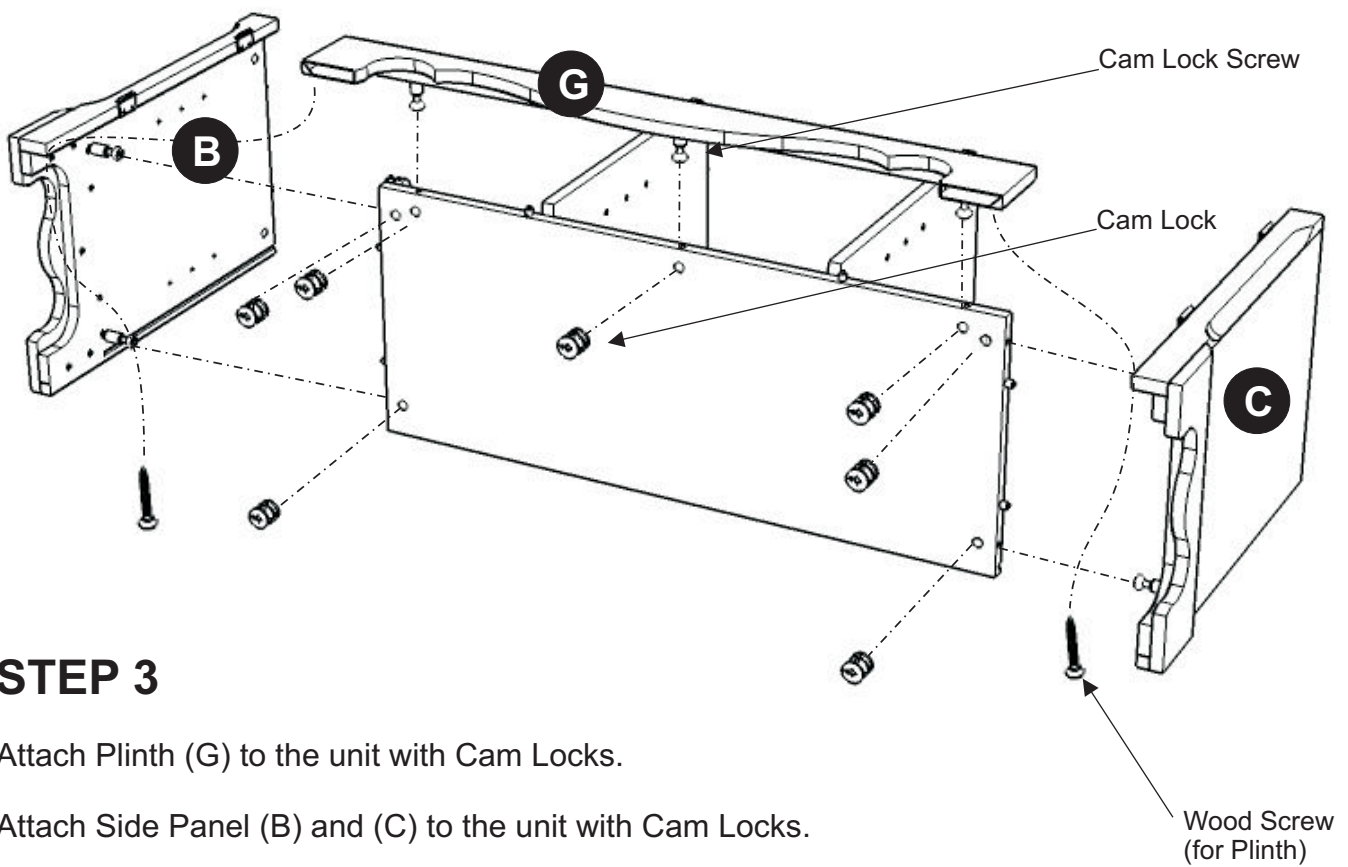


Figure 1



## STEP 2

Attach Middle Panel (D) and (E) onto Base (F) with Cam Locks. (see Figure 1)



## STEP 3

Attach Plinth (G) to the unit with Cam Locks.

Attach Side Panel (B) and (C) to the unit with Cam Locks.

Tighten 2X wood screws into Plinth.

## STEP 4

Slide Back Panels (H) and (I) into place.

Place Top (A) onto the unit, using Cam Locks.

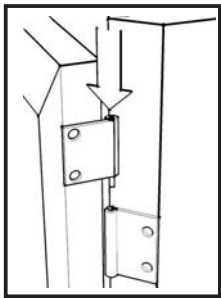


Figure 2

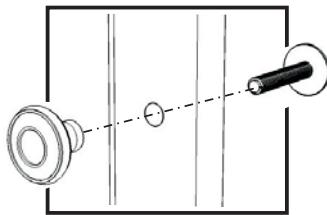
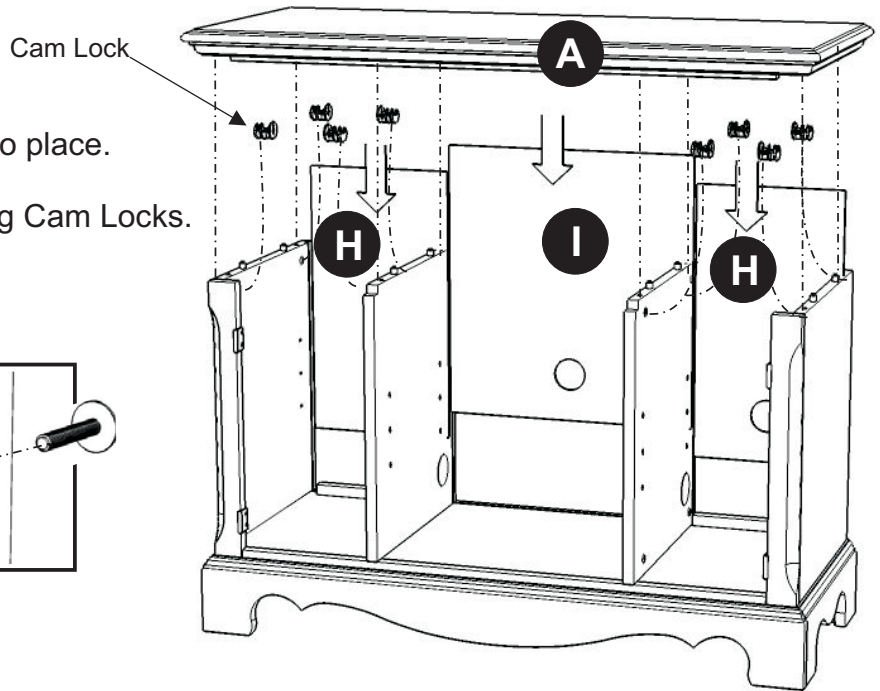


Figure 3



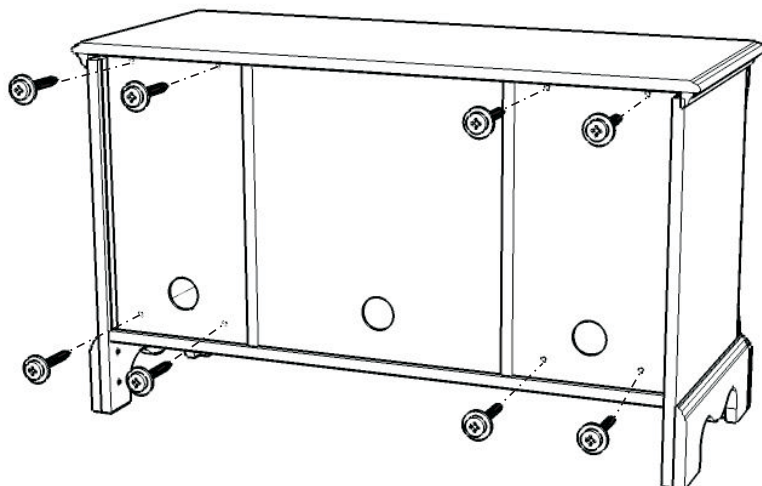
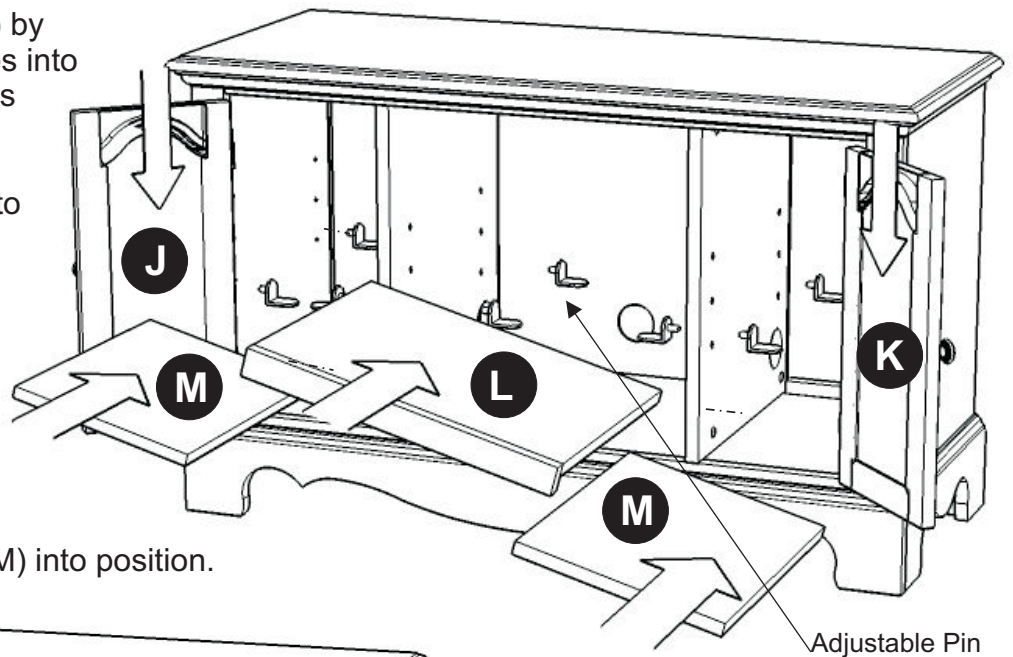
## STEP 5

Attach Doors (J) and (K) by sliding the door lift hinges into the side panels lift hinges (see Figure 2).

Assemble Pull Handles to Doors (J) and (K) with Machine Screws (see Figure 3).

Insert Adjustable Pins into side panels and middle panels at the desired level.

Place Shelves (L) and (M) into position.



## STEP 6

Insert 8X Wood Screws from the back of the unit, tighten up all the Wood Screws.

**Note:** Please make sure unit is level before tightening these screws.