

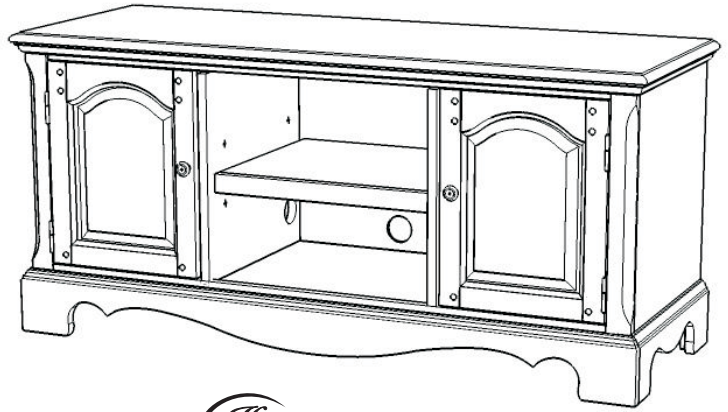
88 5538 121

Country Casual Entertainment Stand

IMPORTANT NOTE

Carefully remove all the parts from the carton and put them individually on a soft cloth to prevent scratches or other damages occurring to the wood parts.

We have taken great care in the design of this product and request that you carefully and strictly follow our assembly instructions to ensure a completed product as it was designed.



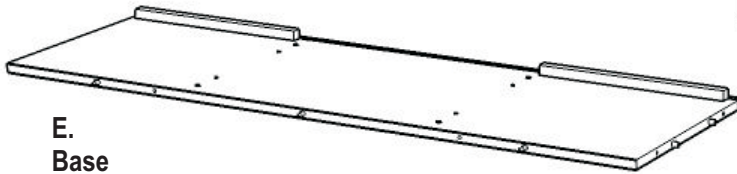
*Home
Styles™*

Casual Attire For Today's Home

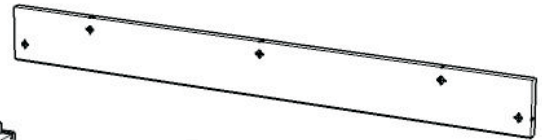
Part List



A.
Top
1 pc.



E.
Base
1 pc.



F.
Back Support
1 pc.



G.
Plinth
1 pc.



M.
Shelf
2 pcs.

Hardware List



Cam Lock Screw
24 pcs.(+1 extra)



Cam Lock
24 pcs.(+1 extra)



Adjustable Pin
12 pcs.(+1 extra)



**Wood Screw
for Plinth**
2 pcs.(+1 extra)



**Wood Screw
for Back Panel**
12 pcs.(+1 extra)



Pull Handle
2 pcs.



Machine Screw
2 pcs.

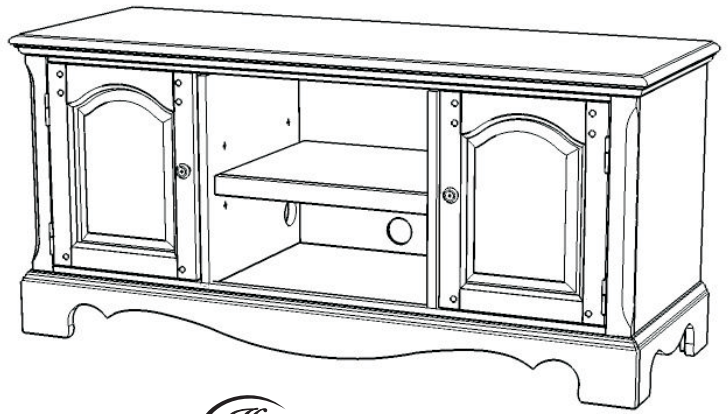
For assembly see instructions in carton 88 5538 122

Tools required for assembly : Phillips screwdriver

Home Styles Consumer Assistance Line 888-680-7460 and 877-831-0319
servicedesk@homestyles-furniture.com

88 5538 122

Country Casual Entertainment Stand



IMPORTANT NOTE

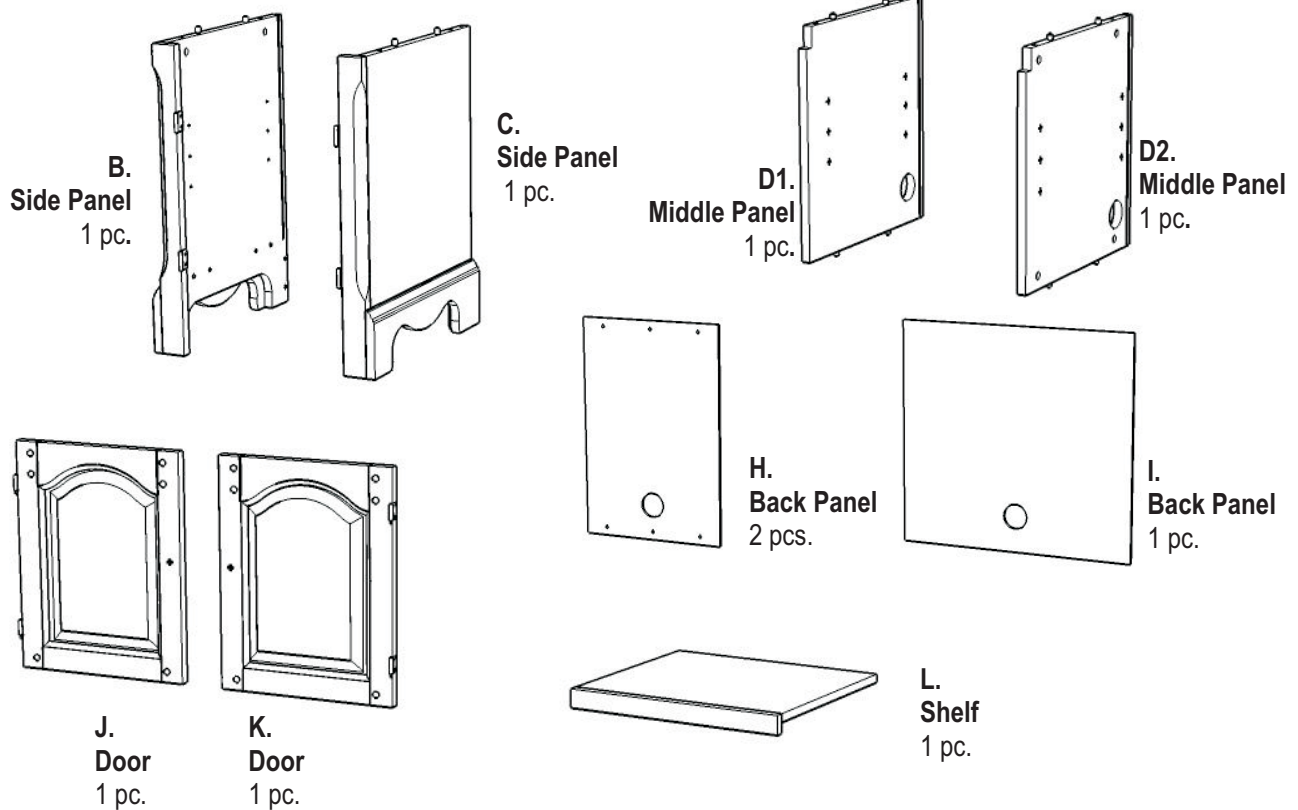
Carefully remove all the parts from the carton and put them individually on a soft cloth to prevent scratches or other damages occurring to the wood parts.

We have taken great care in the design of this product and request that you carefully and strictly follow our assembly instructions to ensure a completed product as it was designed.



Casual Attire For Today's Home

Part List (in this carton)



Also need the following from carton 88 5538 121 :

Part List in carton 88 5538 121

Top (A)	1 pc.
Base (E)	1 pc.
Back Support (F)	1 pc.
Plinth (G)	1 pc.
Shelf (M)	2 pcs.

Hardware List in carton 88 5538 121

Cam Lock Screw	25 pcs.
Cam Lock	25 pcs.
Wood Screw for Plinth	3 pcs.
Wood Screw for Back Panels	13 pcs.
Adjustable Pin	13 pcs.
Pull Handle	2 pcs.
Machine Screw for Pull Handle	2 pcs.

Tools required for assembly : Phillips screwdriver

Home Styles Consumer Assistance Line 888-680-7460 and 877-831-0319
servicedesk@homestyles-furniture.com

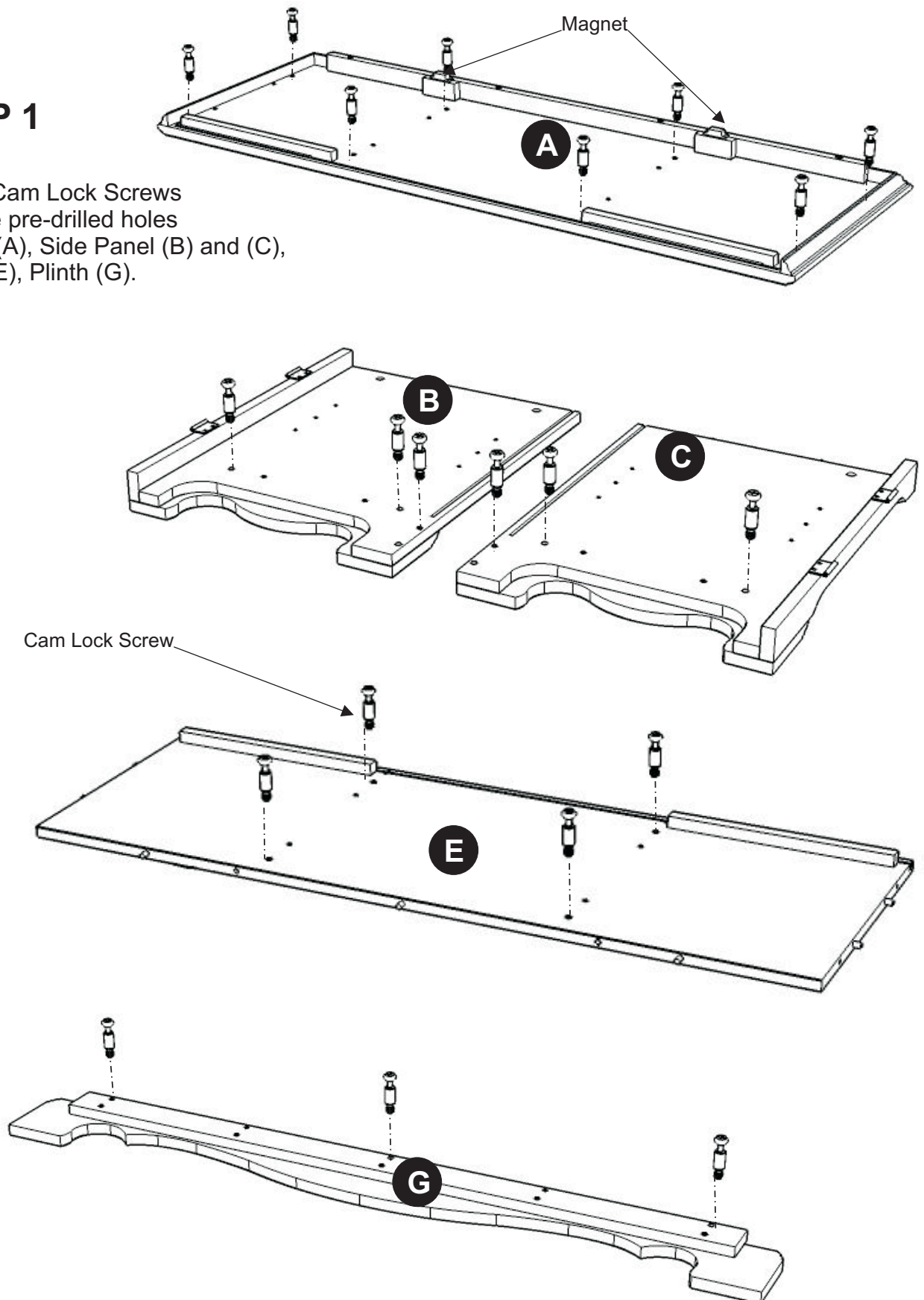
Assembly Instructions 2/5

IMPORTANT

Do not tighten up all the screws until each part is properly assembled.

STEP 1

Insert Cam Lock Screws into the pre-drilled holes of Top (A), Side Panel (B) and (C), Base (E), Plinth (G).



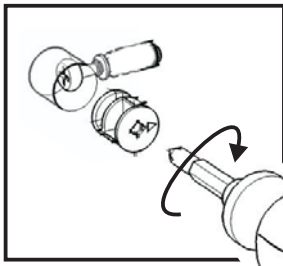
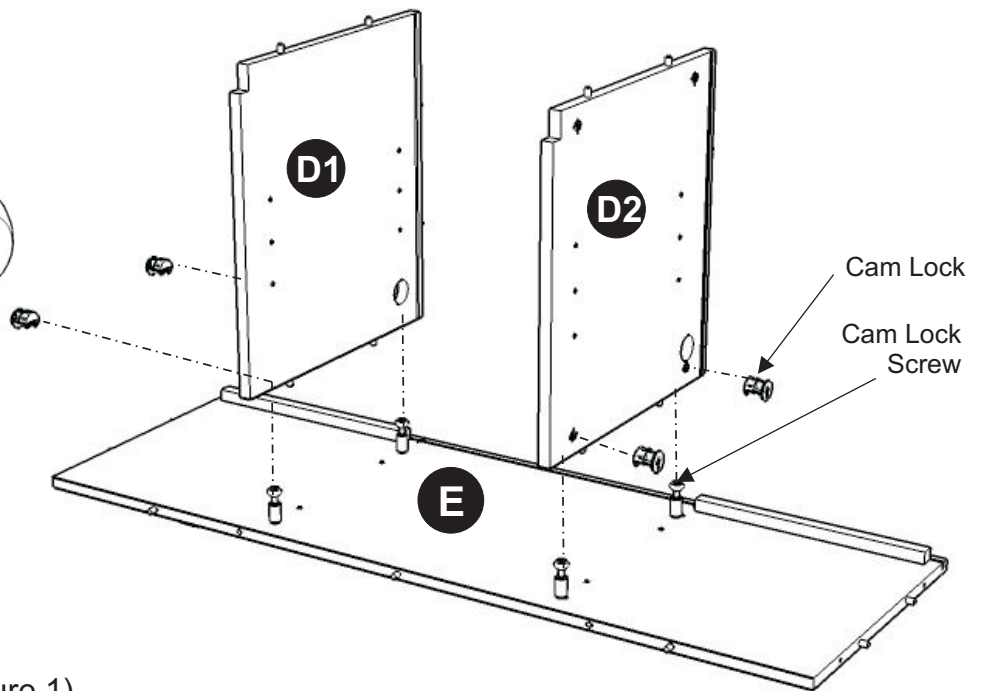
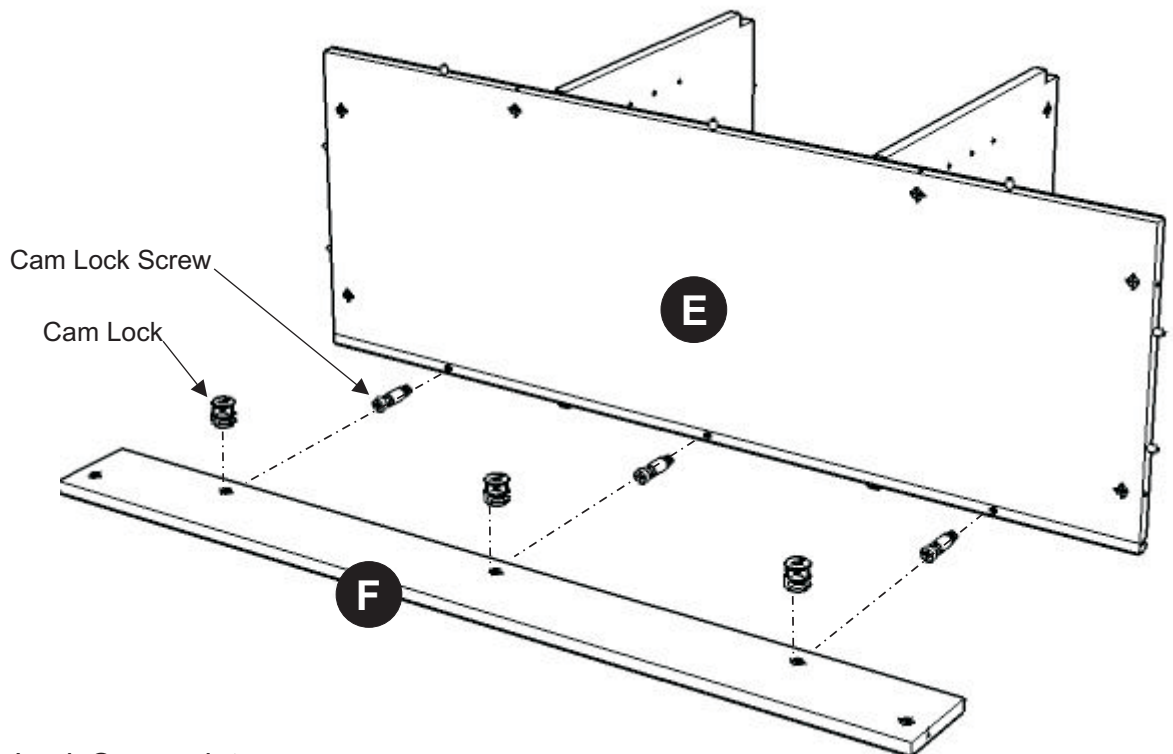


Figure 1



STEP 2

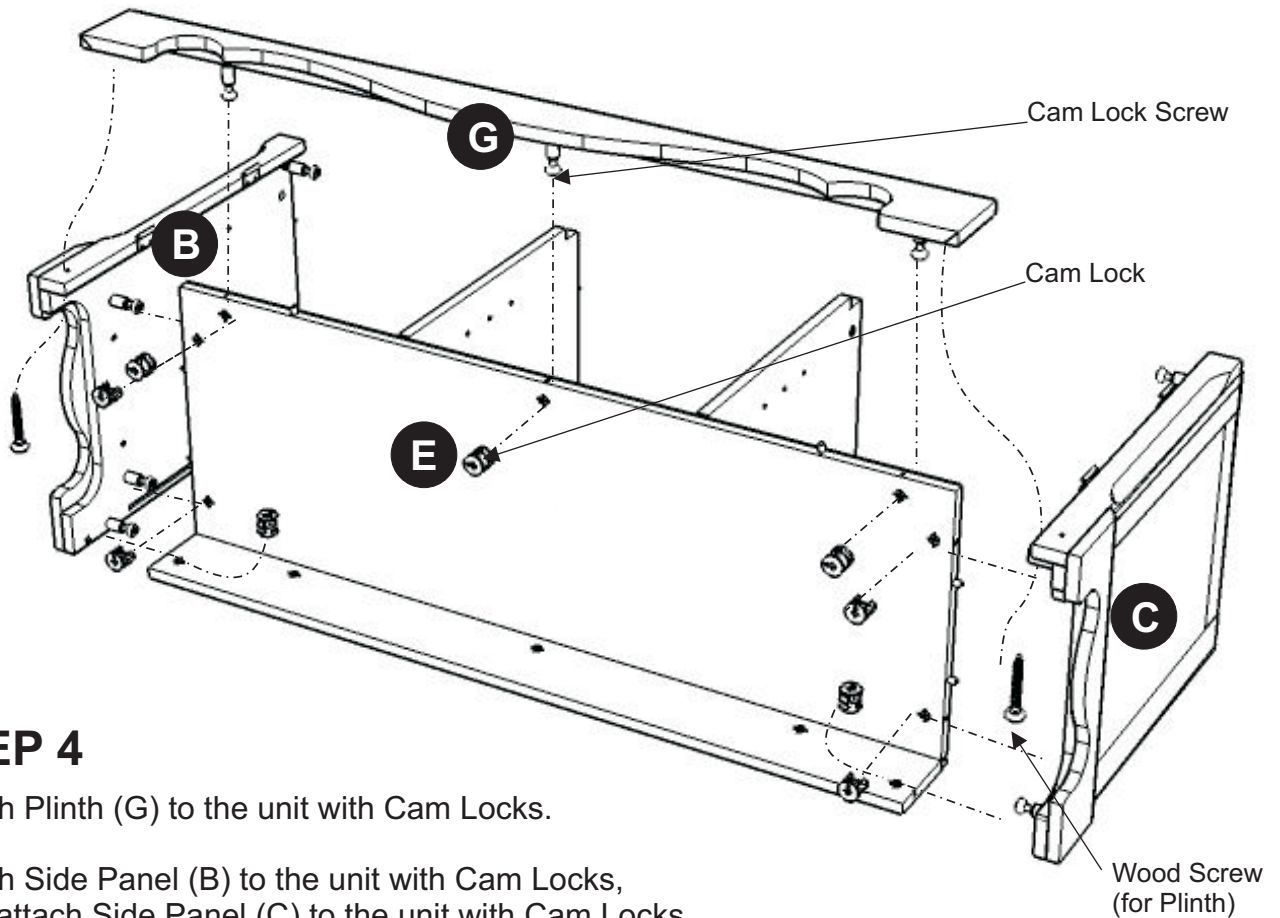
Attach Middle Panel (D1) and (D2) onto Base (E) with Cam Locks. (see Figure 1)



STEP 3

Put the Cam Lock Screws into the pre-drilled holes at the underside of Base (E).

Attach Back Support (F) to the unit with Cam Locks.



STEP 4

Attach Plinth (G) to the unit with Cam Locks.

Attach Side Panel (B) to the unit with Cam Locks, then attach Side Panel (C) to the unit with Cam Locks.

Tighten 2X wood screws into Plinth.

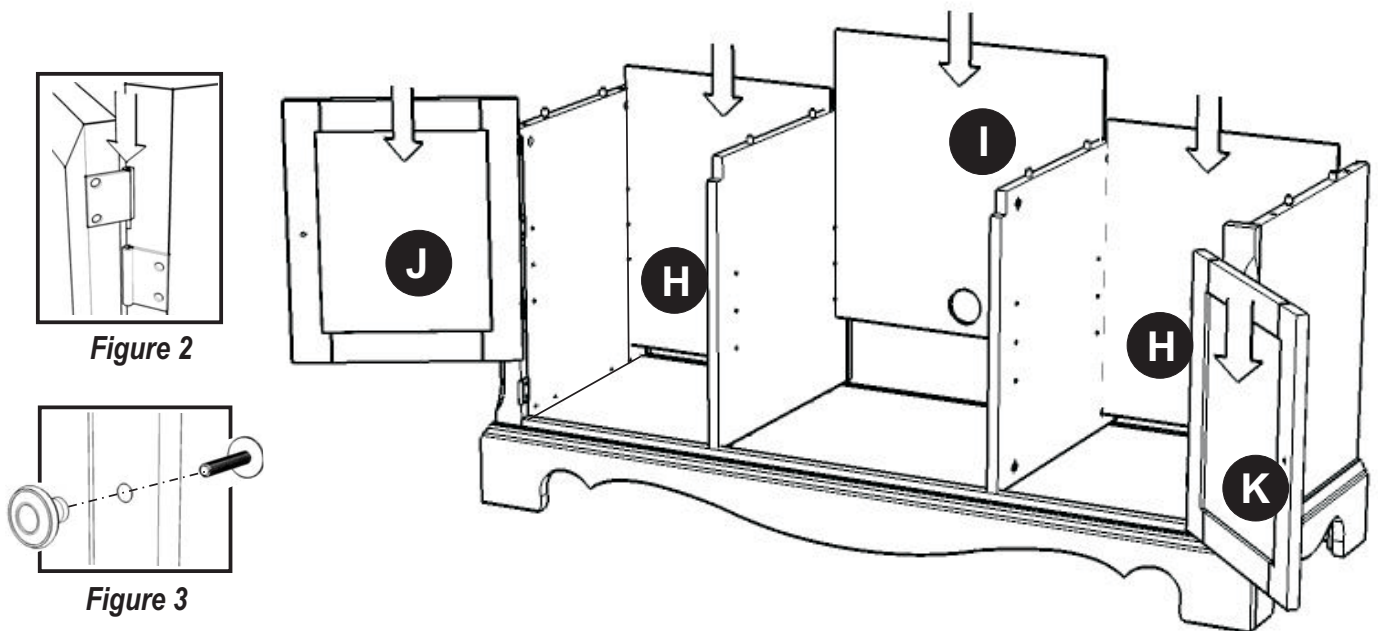


Figure 2

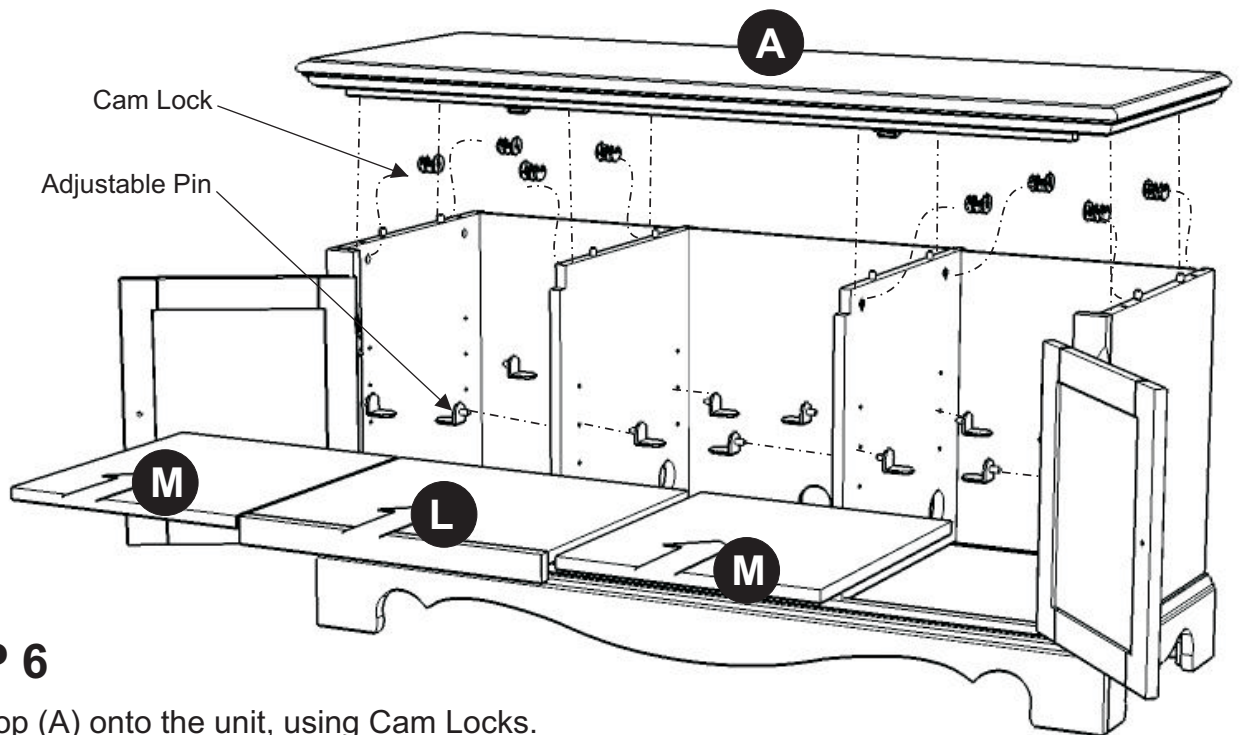
Figure 3

STEP 5

Slide Back Panels (H) and (I) into place.

Attach Doors (J) and (K) by sliding the door lift hinges into the side panels lift hinges (see Figure 2).

Assemble Pull Handles to Doors (J) and (K) with Machine Screws (see Figure 3).

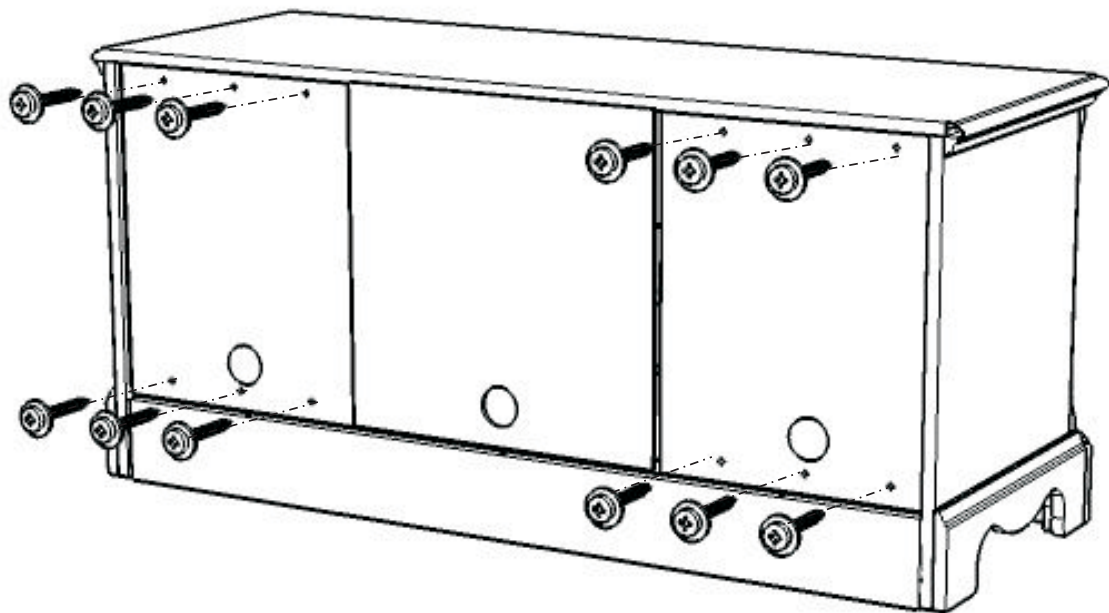


STEP 6

Place Top (A) onto the unit, using Cam Locks.

Insert Adjustable Pins into side panels and middle panels at the desired level.

Place Shelves (L) and (M) into position.



STEP 7

Insert 12X Wood Screws from the back of the unit, tighten up all the Wood Screws (See figure 4).

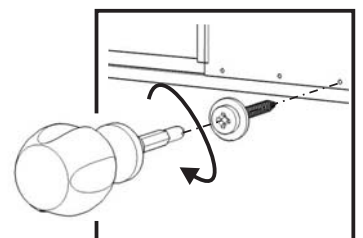


Figure 4

Note: Please make sure unit is level before tightening these screws.