

88 5540 121

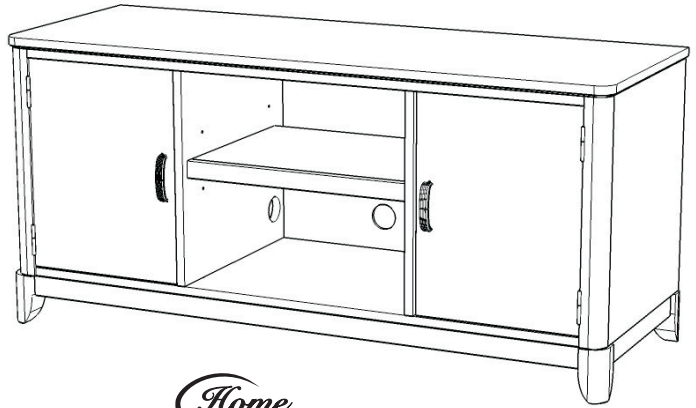
Paris

Entertainment Stand

IMPORTANT NOTE

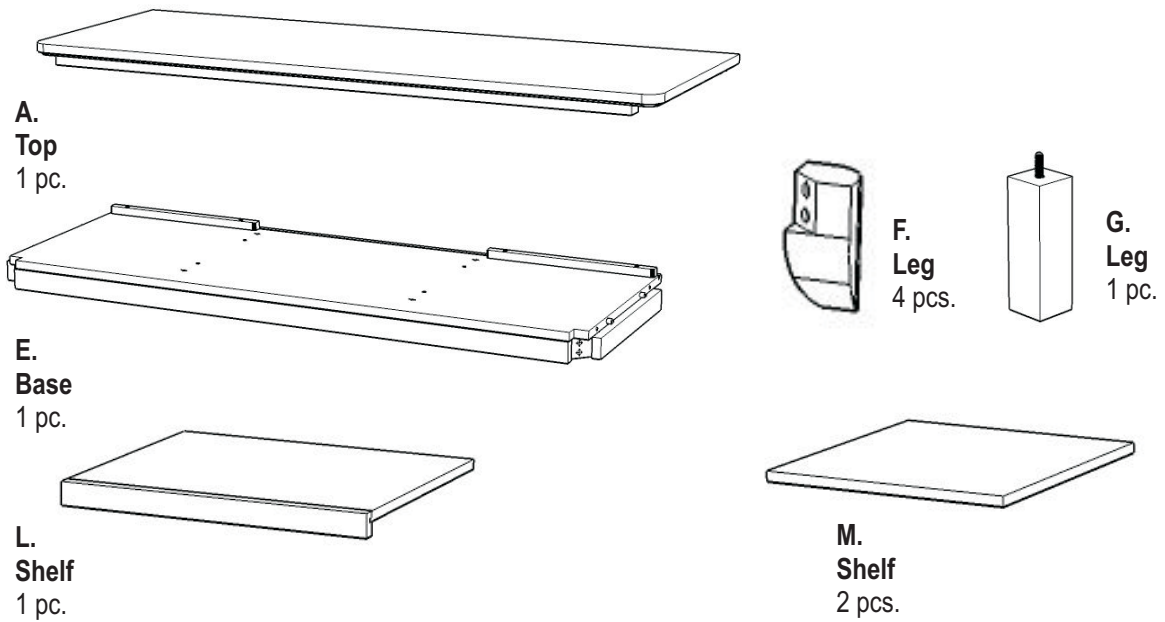
Carefully remove all the parts from the carton and put them individually on a soft cloth to prevent scratches or other damages occurring to the wood parts.

We have taken great care in the design of this product and request that you carefully and strictly follow our assembly instructions to ensure a completed product as it was designed.

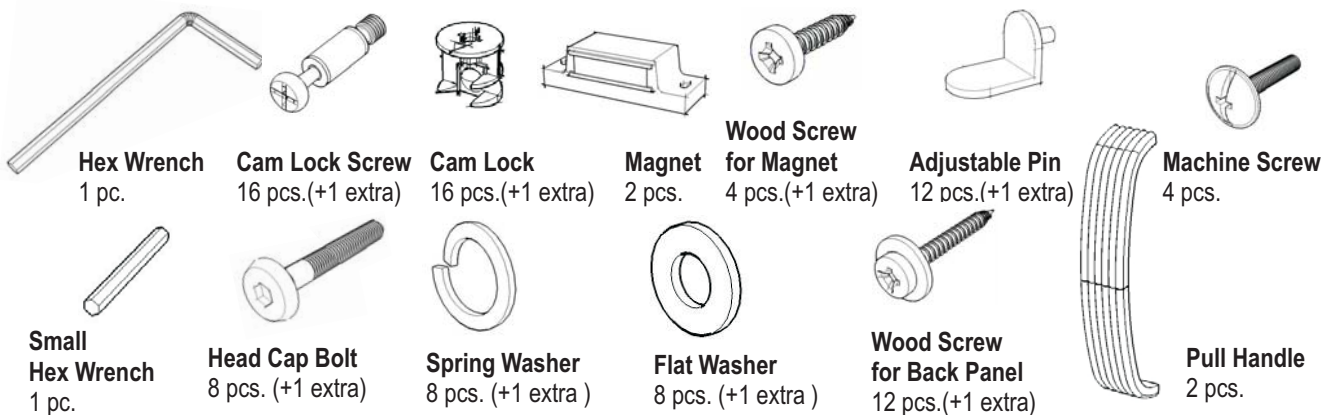


Casual Attire For Today's Home

Part List



Hardware List



For assembly see instructions in carton 88 5540 122

Tools required for assembly : Phillips screwdriver

Home Styles Consumer Assistance Line 888-680-7460 and 877-831-0319
servicedesk@homestyles-furniture.com

88 5540 122

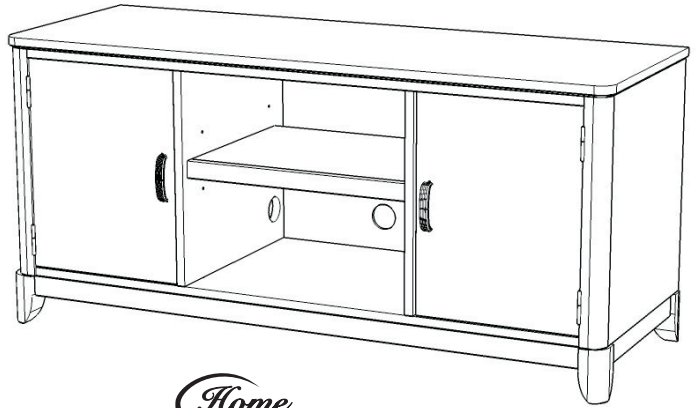
Paris

Entertainment Stand

IMPORTANT NOTE

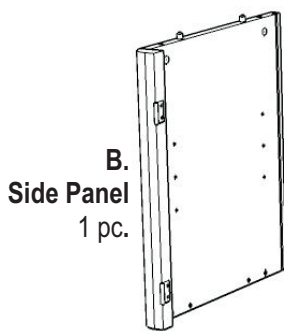
Carefully remove all the parts from the carton and put them individually on a soft cloth to prevent scratches or other damages occurring to the wood parts.

We have taken great care in the design of this product and request that you carefully and strictly follow our assembly instructions to ensure a completed product as it was designed.

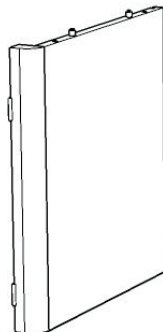


Casual Attire For Today's Home

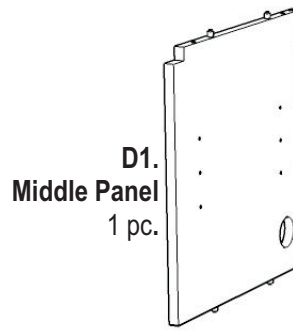
Part List



B.
Side Panel
1 pc.



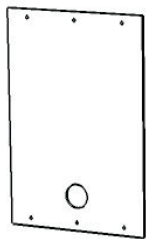
C.
Side Panel
1 pc.



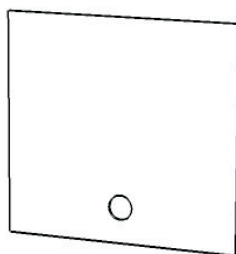
D1.
Middle Panel
1 pc.



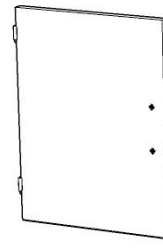
D2.
Middle Panel
1 pc.



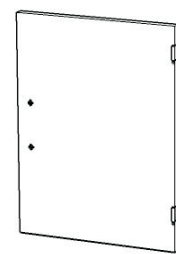
H.
Back Panel
2 pcs.



I.
Back Panel
1 pc.



J.
Door
1 pc.



K.
Door
1 pc.

Also need the following from carton 88 5540 121 :

Part List in carton 88 5540 121

Top (A)	1 pc.
Base (E)	1 pc.
Leg (F)	4 pcs.
Leg (G)	1 pc.
Shelf (L)	1 pc.
Shelf (M)	2 pcs.

Hardware List in carton 88 5540 121

Hex Wrench	1 pc.	Cam Lock Screw	17 pcs.
Small Hex Wrench	1 pc.	Cam Lock	17 pcs.
Head Cap Bolt	9 pcs.	Wood Screw for Back Panels	13 pcs.
Spring Washer	9 pcs.	Adjustable Pin	13 pcs.
Flat Washer	9 pcs.	Pull Handle	2 pcs.
Magnet	2 pcs.	Machine Screw for Pull Handle	4 pcs.
Wood Screw for Magnet	5 pcs.		

Tools required for assembly : **Phillips** screwdriver

Home Styles Consumer Assistance Line 888-680-7460 and 877-831-0319
servicedesk@homestyles-furniture.com

Assembly Instructions 2/4

IMPORTANT

You should keep Hex Wrench in a safe place as you may need to tighten up the Head Cap Bolts in the future. Do not tighten up all the screws until each part is properly assembled.

STEP 1

Attach 2X Magnets to Top (A) by using Wood Screws in the pre-drilled holes (see Figure 1).

Insert Cam Lock Screws into the pre-drilled holes of Top (A), Side Panel (B) and (C), Base (E).

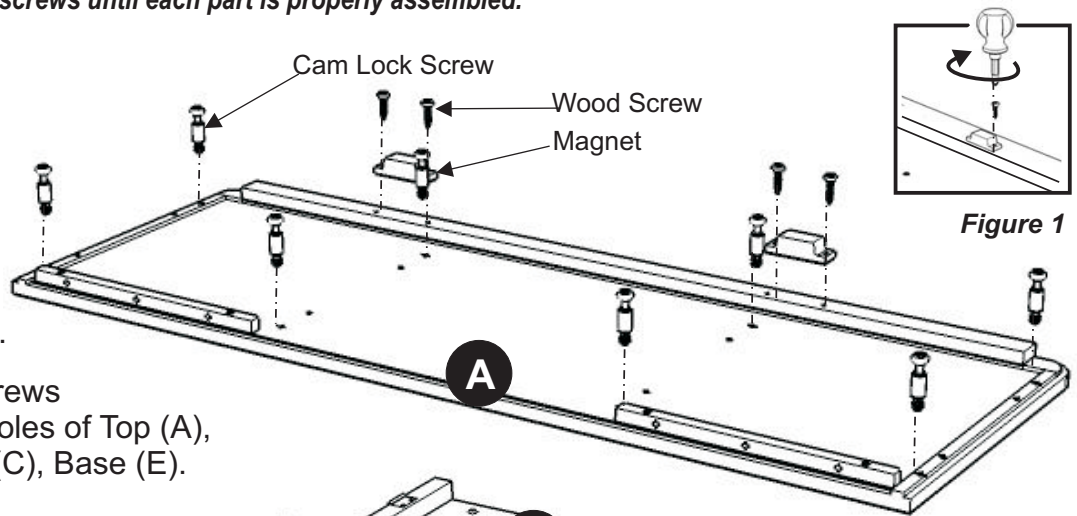


Figure 1

Cam Lock Screw

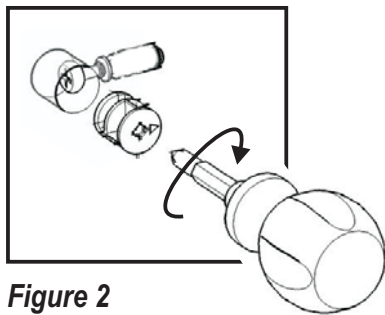
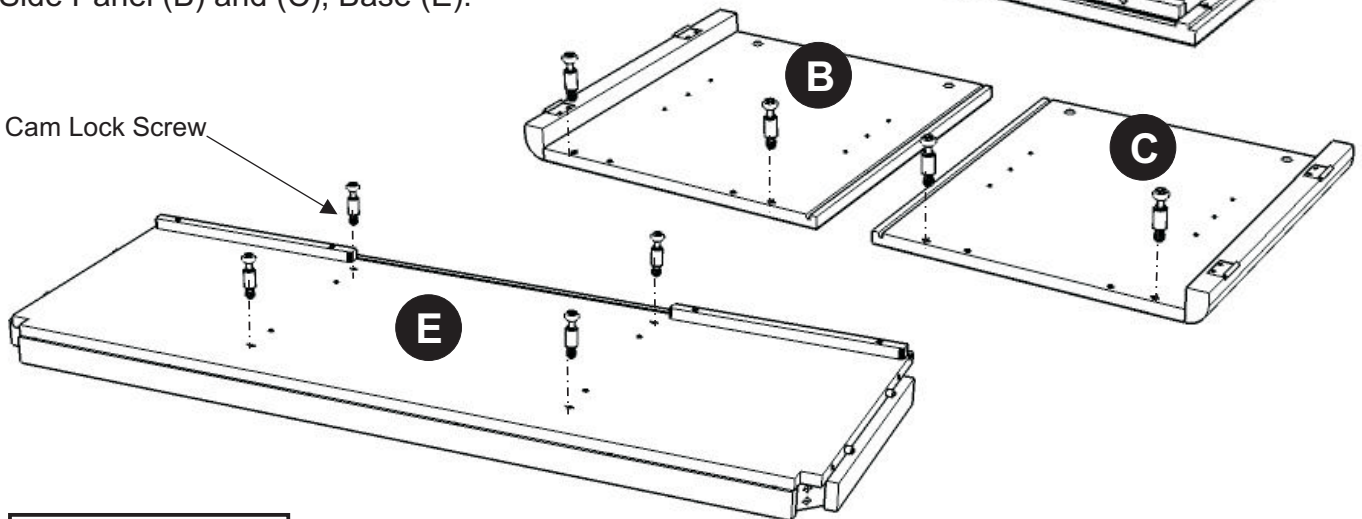
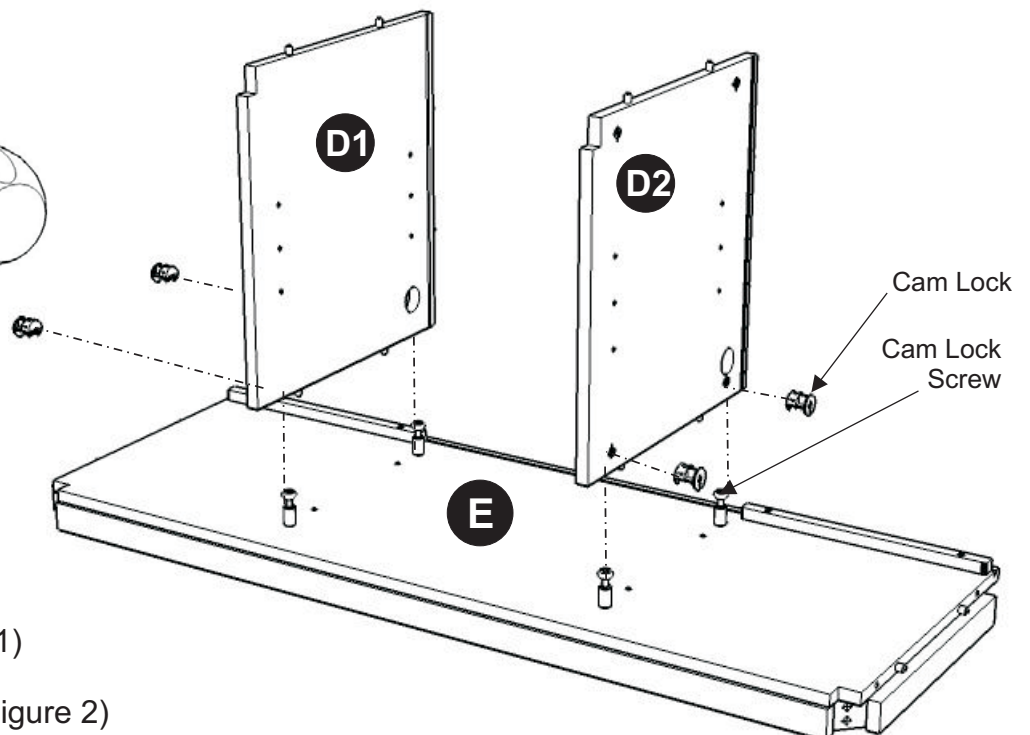


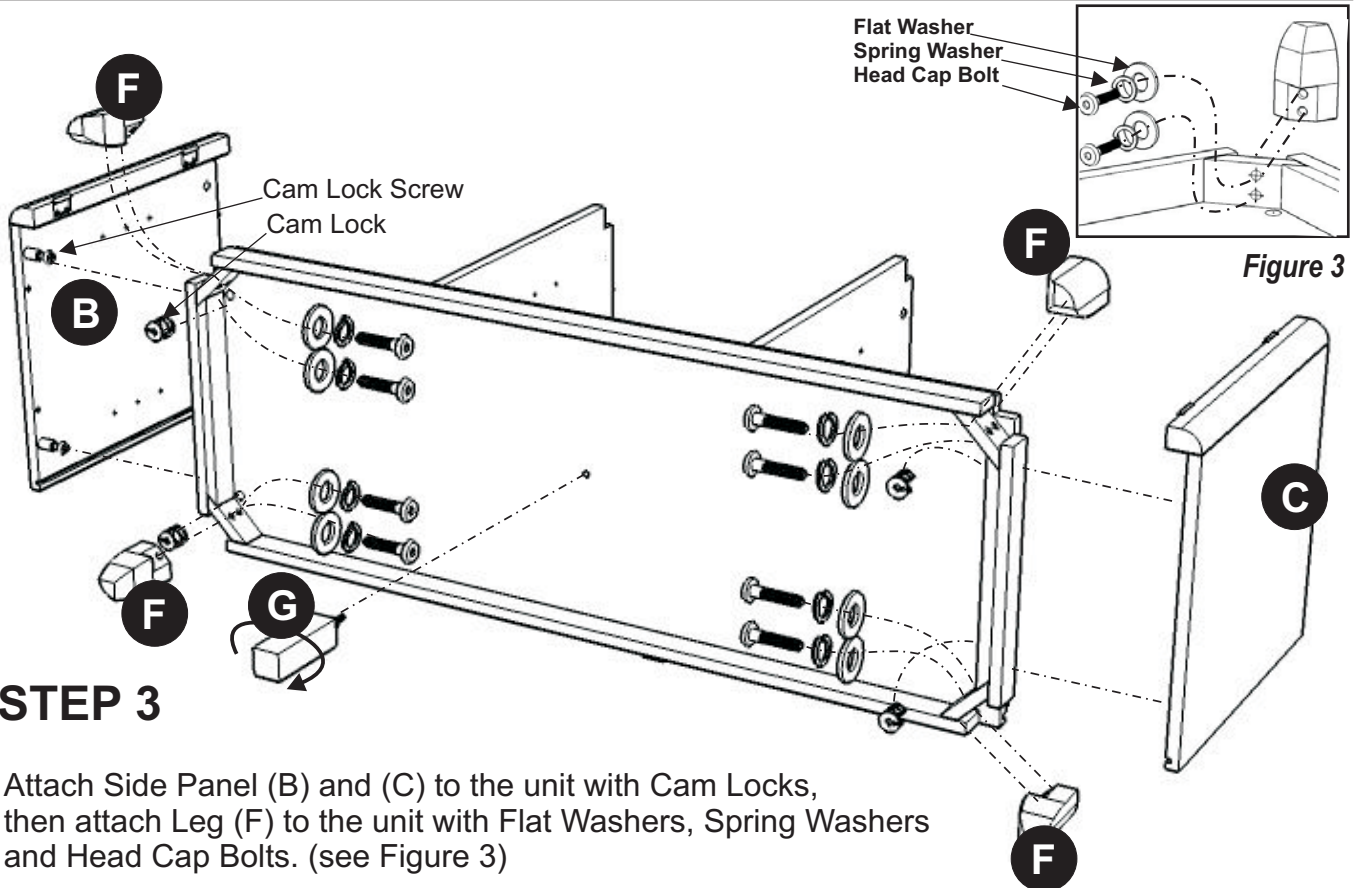
Figure 2

STEP 2

Attach Middle Panel (D1) and (D2) onto Base (E) with Cam Locks. (see Figure 2)

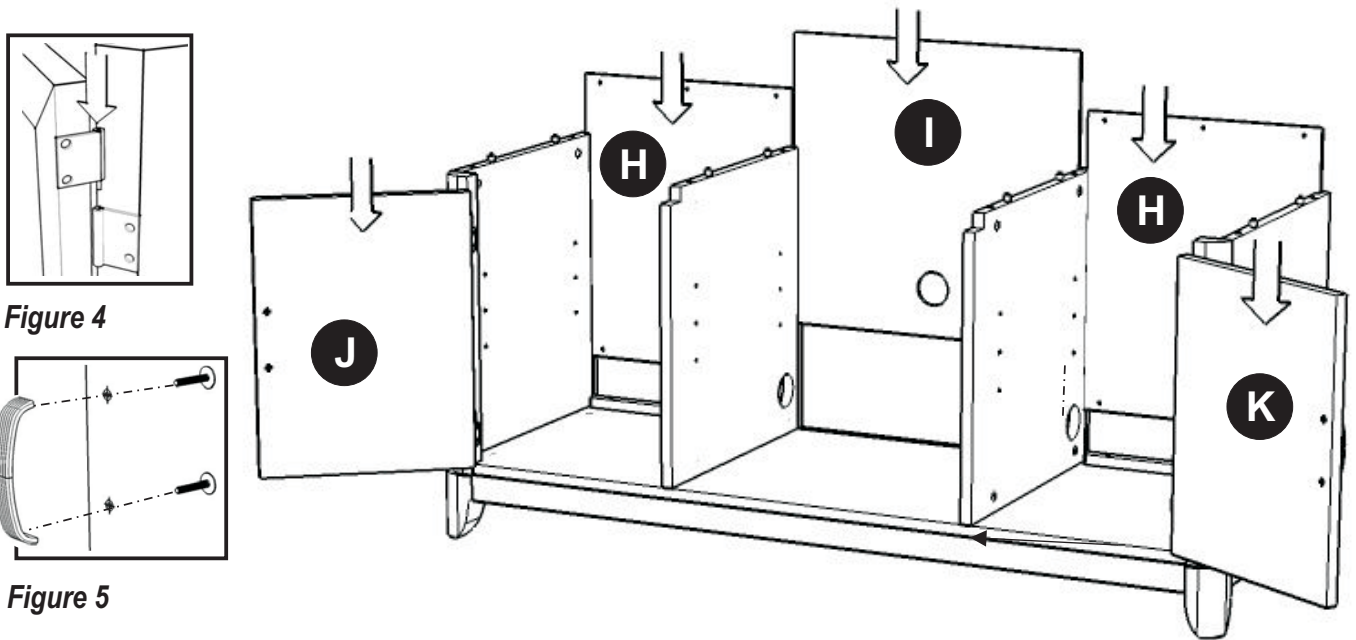


Assembly Instructions 3/4



Attach Side Panel (B) and (C) to the unit with Cam Locks, then attach Leg (F) to the unit with Flat Washers, Spring Washers and Head Cap Bolts. (see Figure 3)

Attach Leg (G) to the pre-drilled hole of base and tighten.

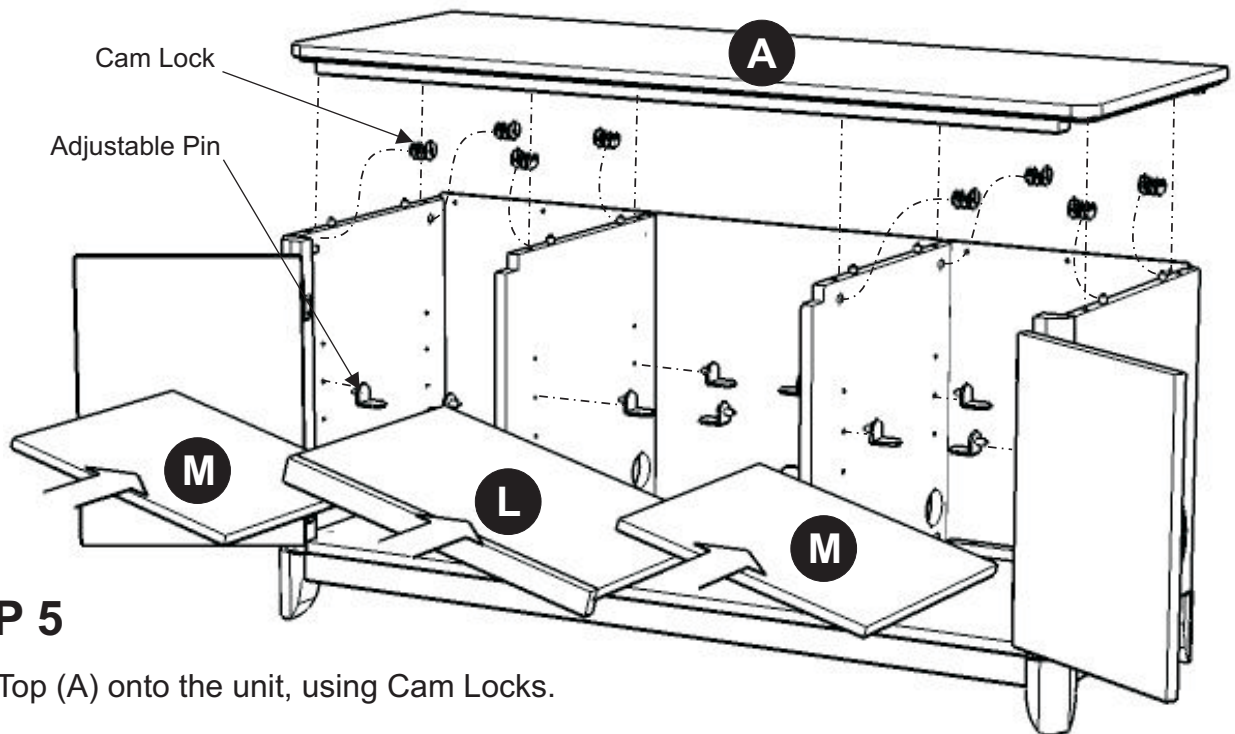


STEP 4

Slide Back Panels (H) and (I) into place.

Attach Doors (J) and (K) by sliding the door lift hinges into the side panels lift hinges. (see Figure 4)

Assemble Pull Handles to Doors (J) and (K) with Machine Screws. (see Figure 5)

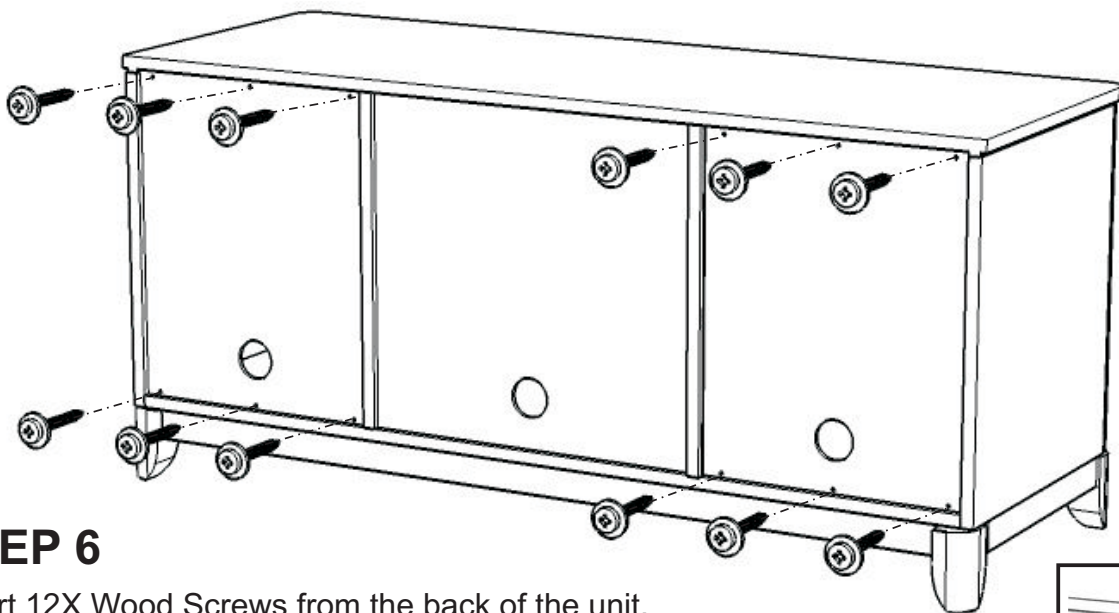


STEP 5

Place Top (A) onto the unit, using Cam Locks.

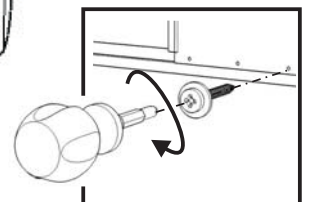
Insert Adjustable Pins into side panels and middle panels at the desired level.

Place Shelves (L) and (M) into position.



STEP 6

Insert 12X Wood Screws from the back of the unit, tighten up all the Wood Screws. (See figure 6)



Note: Please make sure unit is level before tightening these screws.

Figure 6