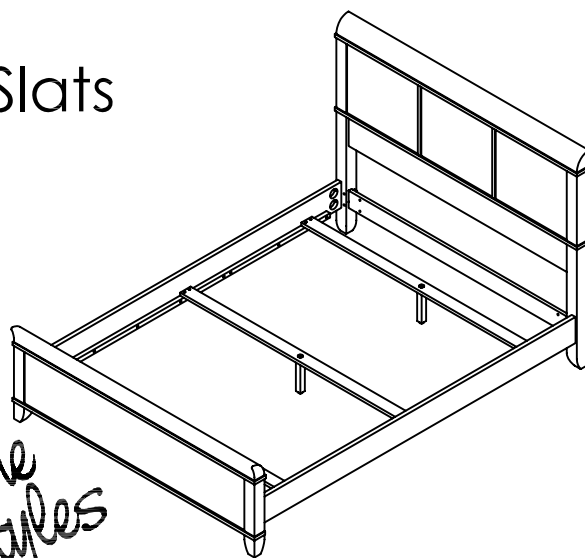


# 88 5540 503 Paris Queen Bed Rails with Slats

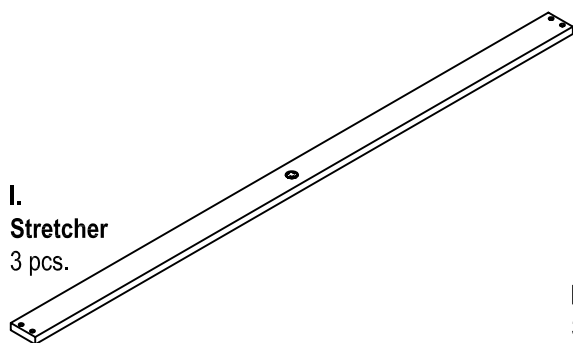


## IMPORTANT NOTE

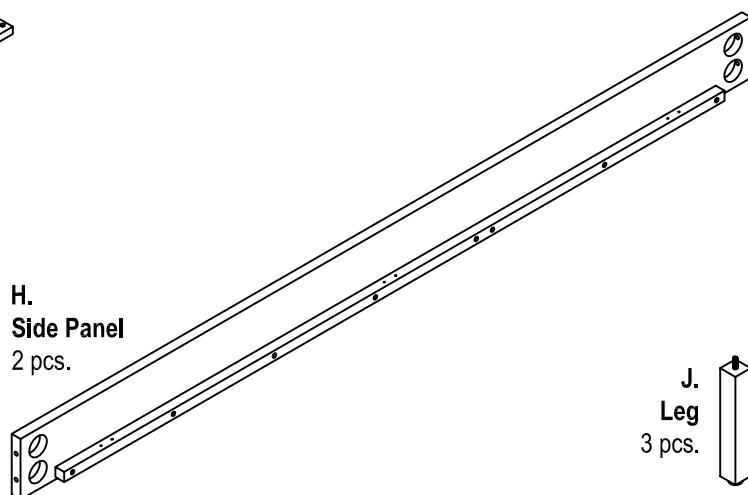
Carefully remove all the parts from the carton and put them individually on a soft cloth to prevent scratches or other damages occurring to the wood parts.

We have taken great care in the design of this product and request that you carefully and strictly follow our assembly instructions to ensure a completed product as it was designed.

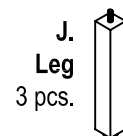
## Part List



**I.**  
**Stretcher**  
3 pcs.



**H.**  
**Side Panel**  
2 pcs.



**J.**  
**Leg**  
3 pcs.

## Hardware List



**Bolt**  
8 pcs. (+1 extra)



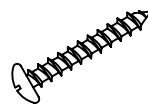
**Square Washer**  
8 pcs. (+1 extra)



**Nut**  
8 pcs. (+1 extra)



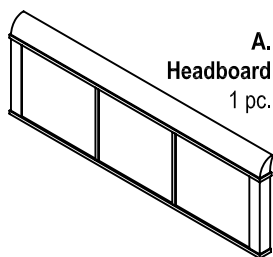
**Key Wrench**  
1 pc.



**Wood Screw**  
12 pcs. (+1 extra)

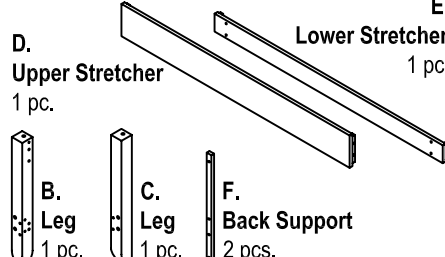
## For assembly also need the following :

**88 5540 5011 Paris Queen Hdbd Panel**  
Carton quantity: 1



**A.**  
**Headboard**  
1 pc.

**88 5540 5012 Paris Queen Hdbd Post**  
Carton quantity: 1



**D.**  
**Upper Stretcher**  
1 pc.

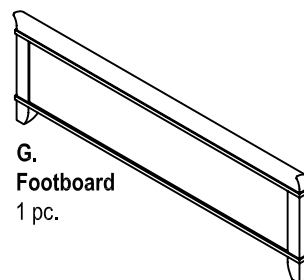
**E.**  
**Lower Stretcher**  
1 pc.

**B.**  
**Leg**  
1 pc.

**C.**  
**Leg**  
1 pc.

**F.**  
**Back Support**  
2 pcs.

**88 5540 502 Paris Queen Footboard**  
Carton quantity: 1



**G.**  
**Footboard**  
1 pc.

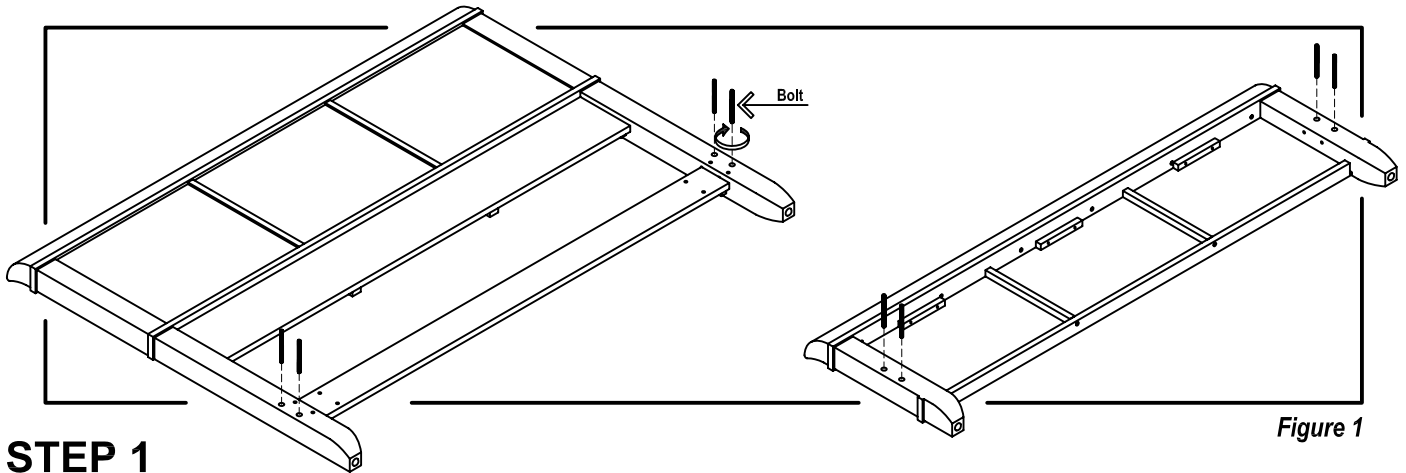
Tools Required For Assembly : Phillips screwdriver

**Home Styles Consumer Assistance Line 888-680-7460 and 877-831-0319**  
**servicedesk@homestyles-furniture.com**

# Assembly Instructions 2/2

## IMPORTANT

- \* Do not tighten up all the bolts & screws until each part is properly assembled.
- \* You should keep Hex Wrench in a safe place as you may need to tighten up the Nuts in the future.



Insert Bolts into the pre-drilled holes of Headboard and Footboard. (See figure 1)

Assemble Side Panels (H) to Headboard and Footboard using Square Washers and Nuts. Tighten all the Bolts with Key Wrench. (See figure 2)

Insert Leg (J) into pre-drilled holes of Stretchers (I) and tighten.

Attach Stretchers (I) to the unit with Wood Screws.

