

88 5691 99 Steamer Trunk Bar (Ebony Finish)

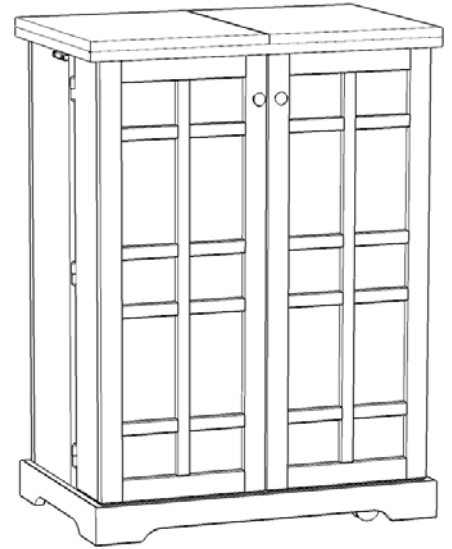
IMPORTANT NOTE

Carefully remove all the parts from the carton and put them individually on a soft cloth to prevent scratches or other damages occurring to the wood parts.

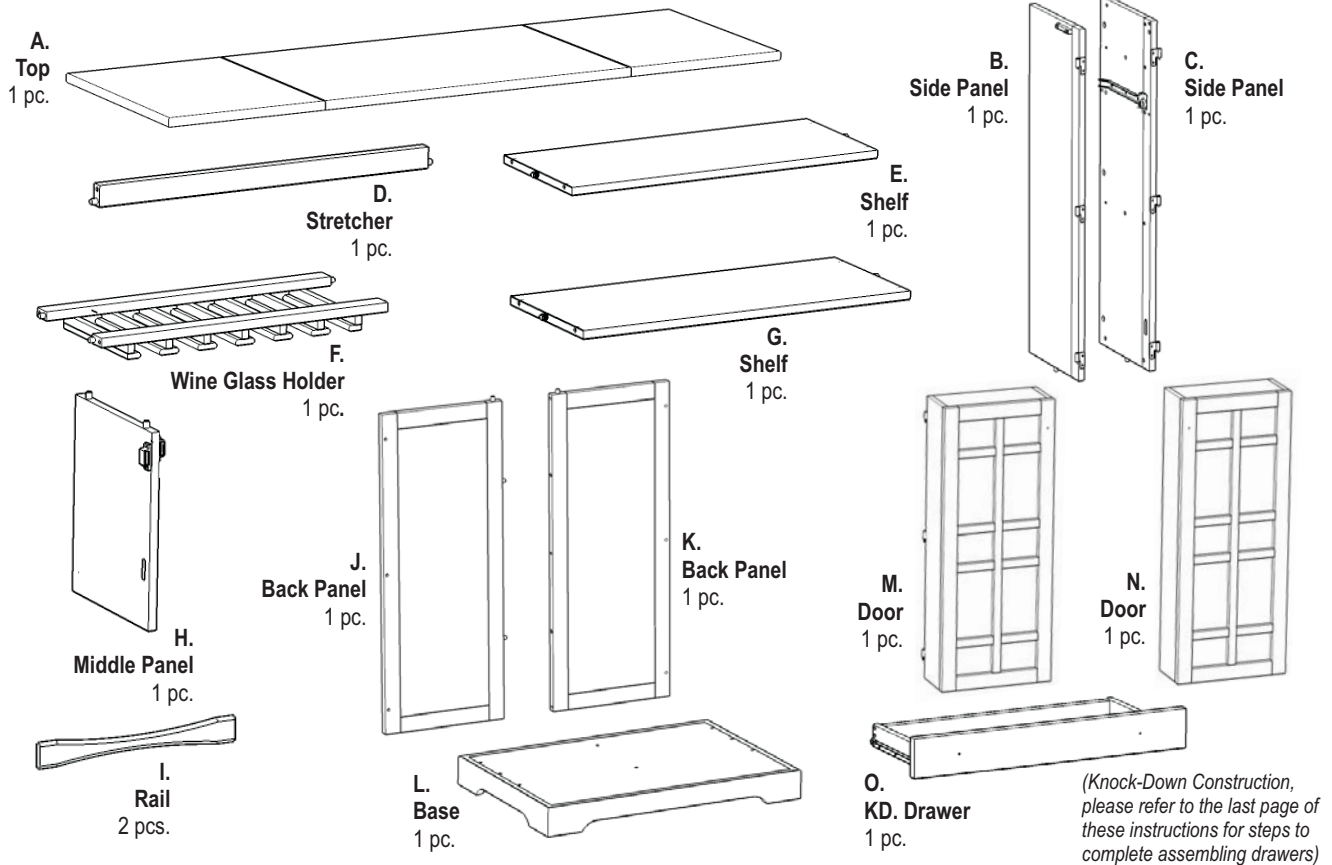
We have taken great care in the design of this product and request that you carefully and strictly follow our assembly instructions to ensure a completed product as it was designed.



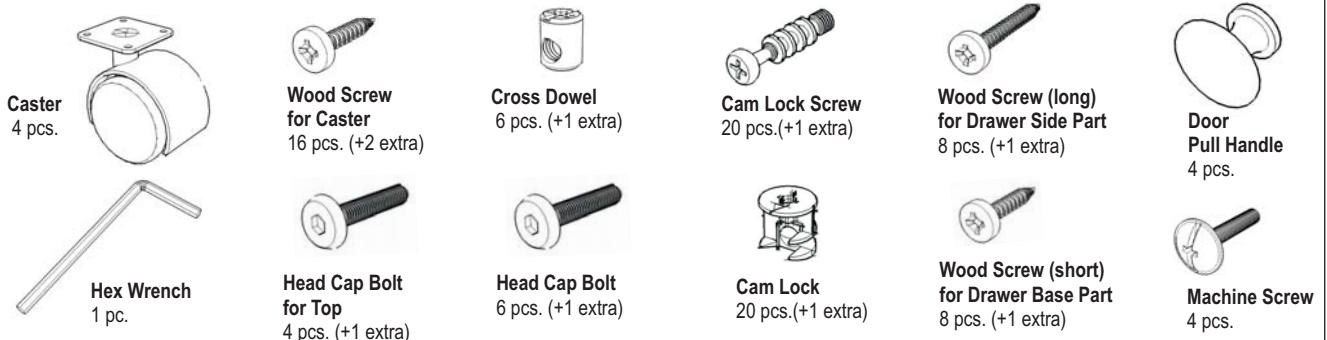
Casual Attire For Today's Home



PART LIST



HARDWARE LIST



Tools Required For Assembly : Phillips screwdriver

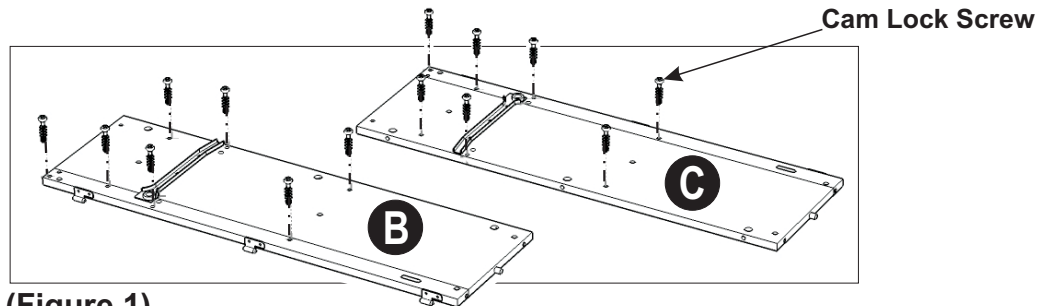
Home Styles Consumer Assistance Line 888-680-7460 and 877-831-0319
servicedesk@homestyles-furniture.com

Assembly Instructions 2/5

IMPORTANT

Do not tighten up all the screws until each part is properly assembled.

You should keep Hex Wrench in a safe place as you may need to tighten up the Head Cap Bolts in the future.



(Figure 1)

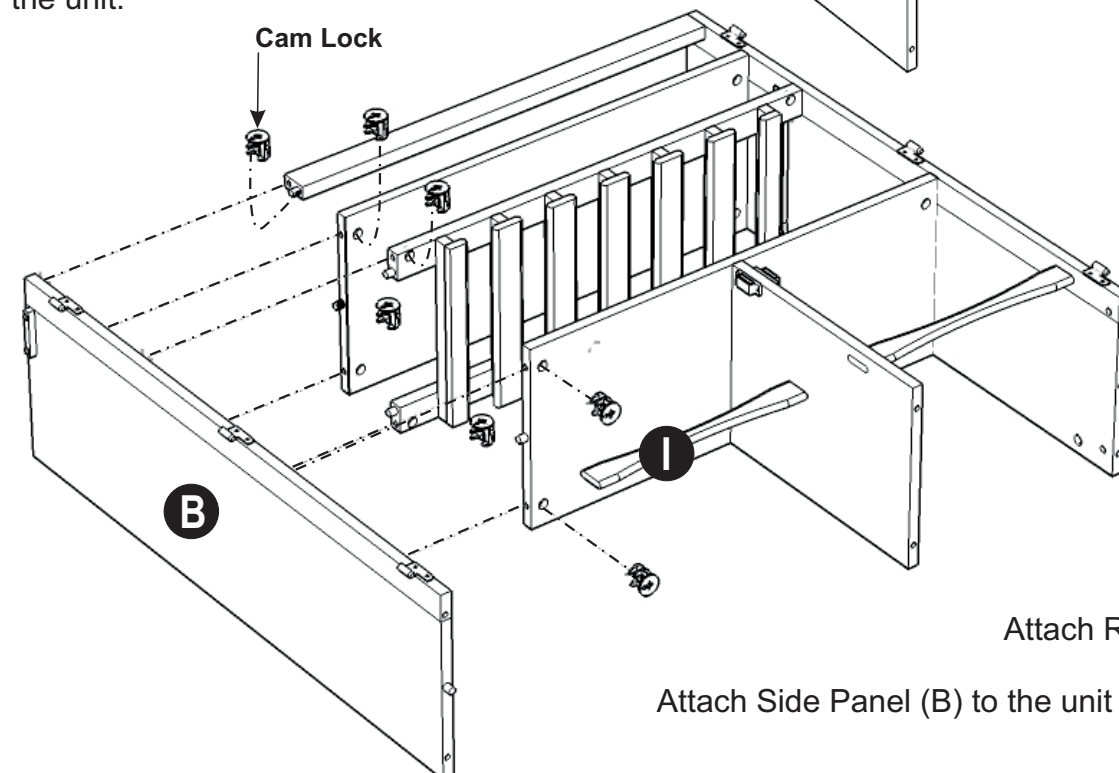
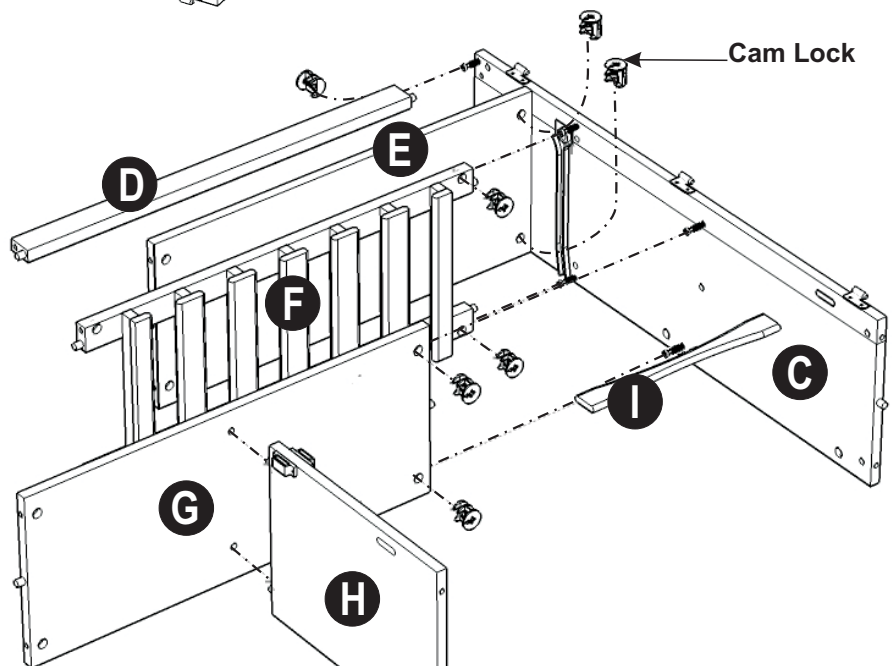
STEP 1

Put Cam Lock Screws into the pre-drilled holes of Side Panel (B) and (C), and tighten. (See figure 1)

Attach Stretcher (D), Shelf (E), Wine Glass Holder (F), Shelf (G) to Side Panel (C) using Cam Locks.

Attach Rail (I) to Side Panel (C).

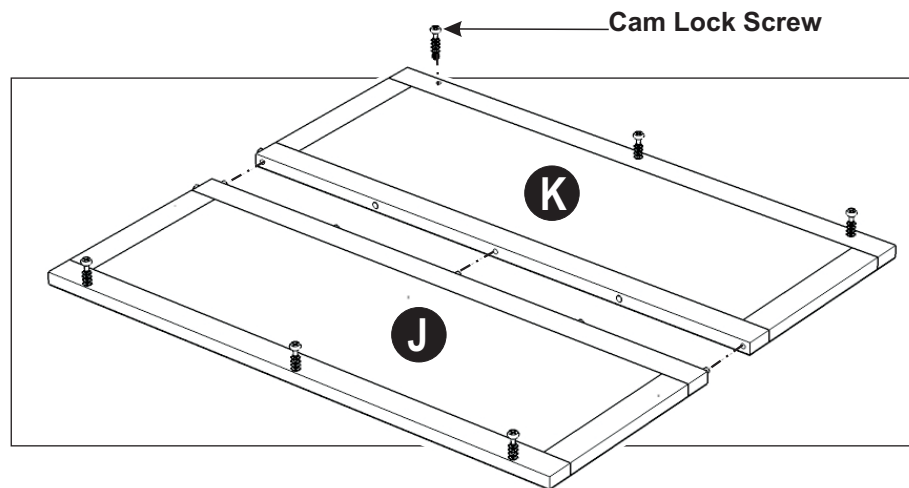
Attach Middle Panel (H) to the unit.



STEP 2

Attach Rail (I) to the unit.

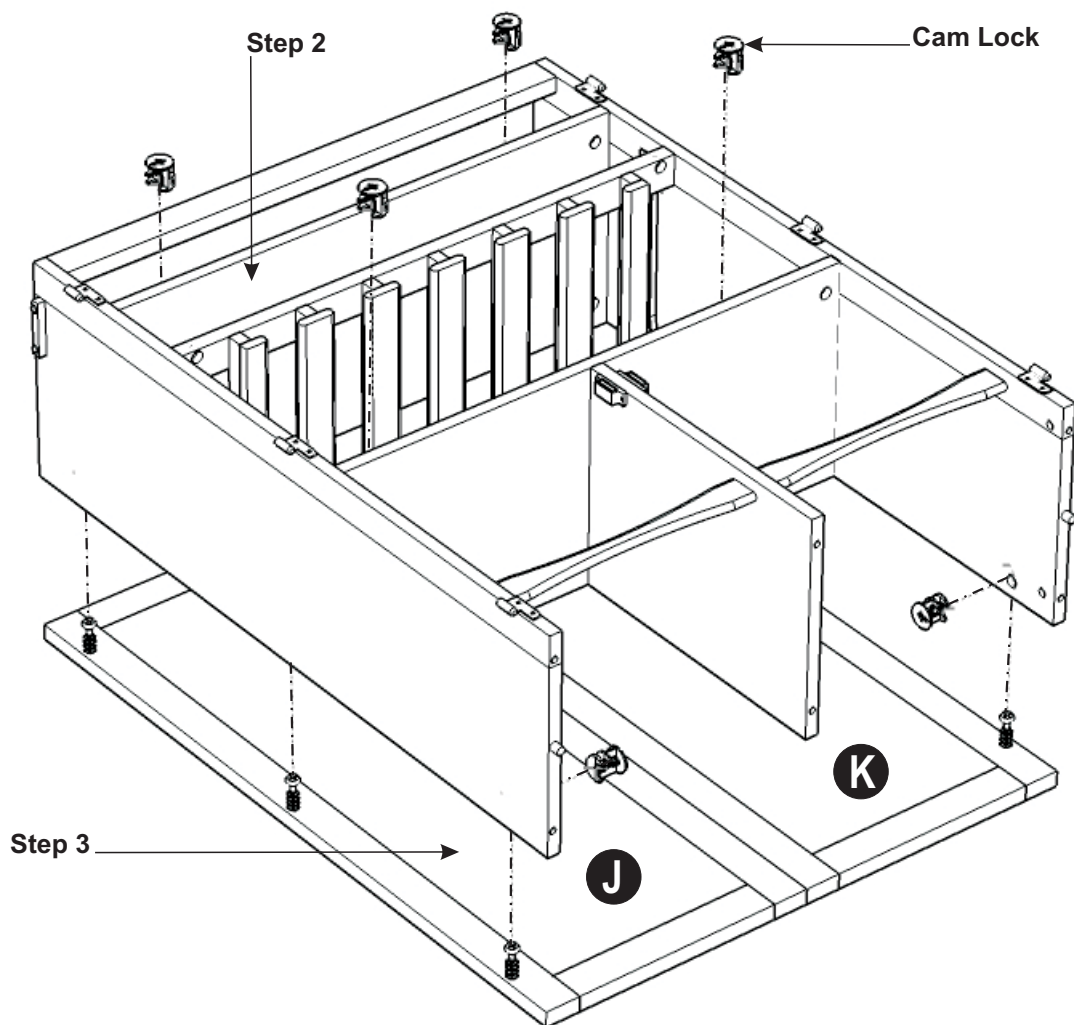
Attach Side Panel (B) to the unit with Cam Locks.



STEP 3

Attach Back Panel (J) to Back Panel (K).

Put the Cam Lock Screws into the pre-drilled of the unit.



STEP 4

Attach unit from Step 2 onto the unit from Step 3, using Cam Locks.

STEP 5

Attach Base (L) to the unit with Head Cap Bolts and Cross Dowels.
(See figure 2)

Attach four Casters to Base (L) with Wood Screws.
(See figure 3)

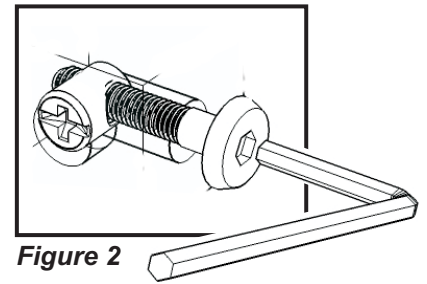


Figure 2

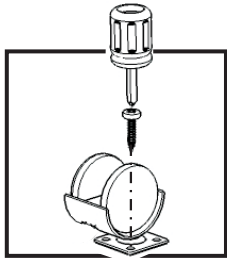


Figure 3

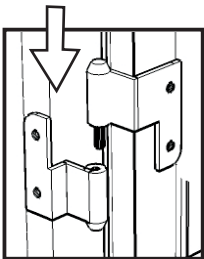


Figure 4

Cross Dowel

Head Cap Bolt

Head Cap Bolt

Wood Screw

L

A

Machine Screw

Pull Handle

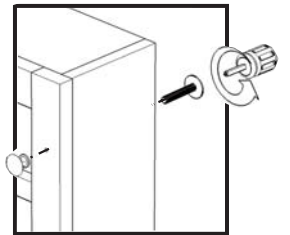


Figure 5

STEP 6

Turn the unit to its upright position.

Attach the Door (M) and (N) by sliding the door lift hinges into the unit lift hinges.
(See figure 4)

Attach Pull Handles to the Door (M) and (N) using Machine Screws.
(See figure 5)

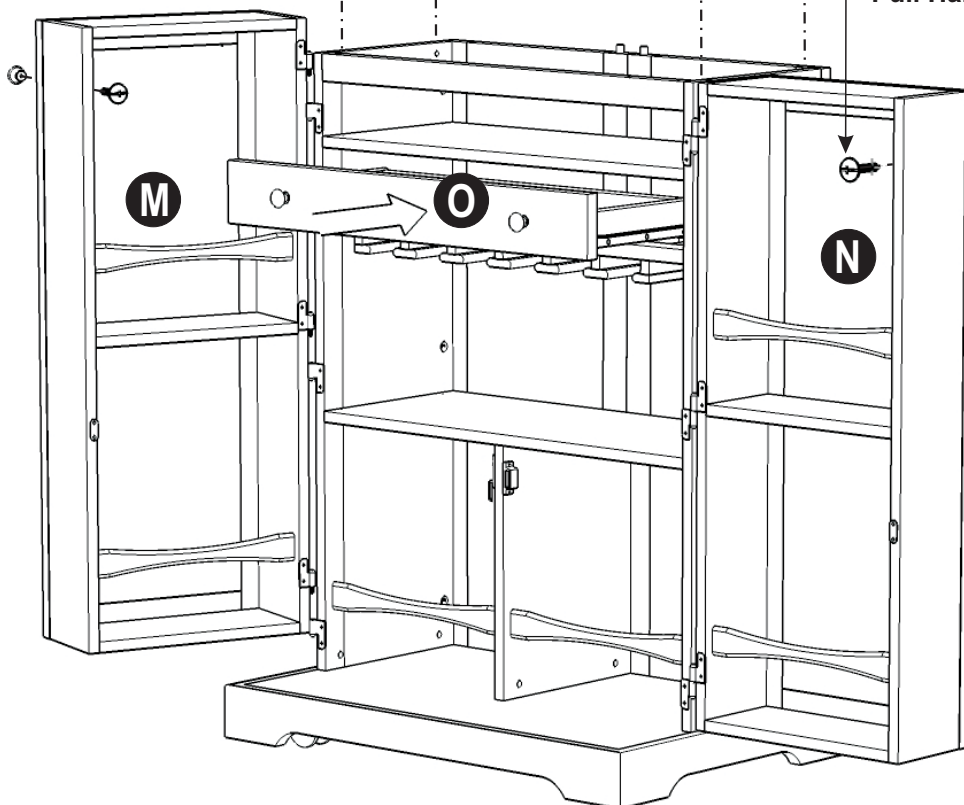
Place Top (A) onto the unit with Head Cap Bolts.

Slide the Drawers (O) into place.

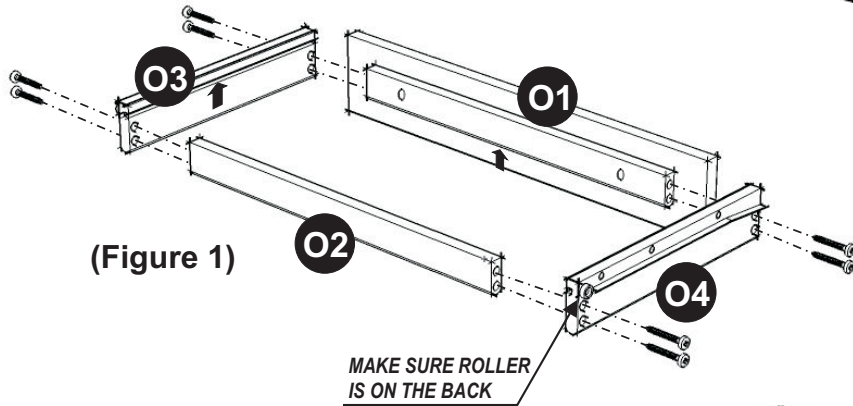
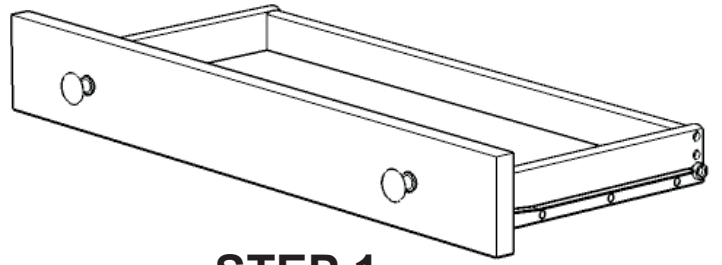
M

O

N



Drawer



(Figure 1)

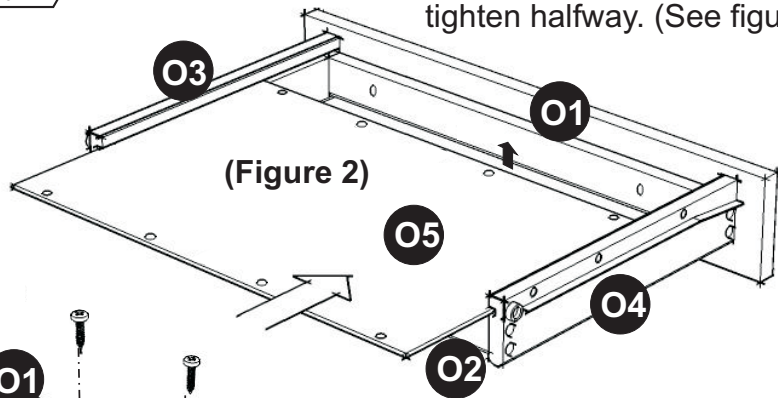
STEP 1

Attach O1 to O3 and O4, using a Phillips screwdriver and the long wood screws (4X), tighten halfway.

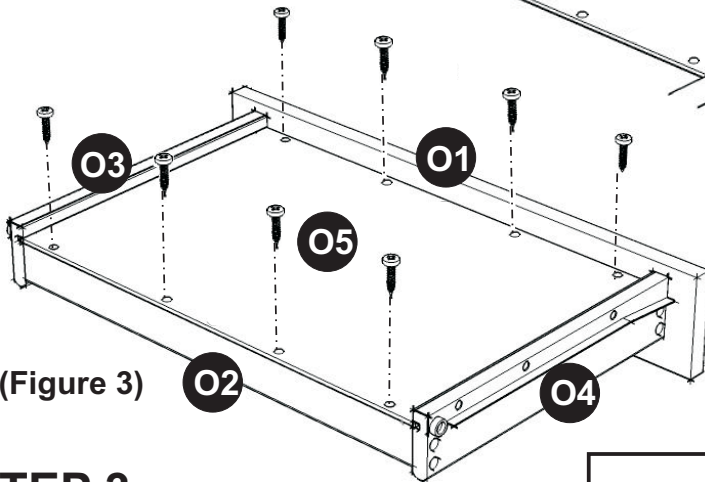
Attach O2 to O3 and O4 using the long wood screws (4X), tighten halfway. (See figure 1)

STEP 2

Slide O5 into the grooves in O3 and O4. Be sure to push O5 all the way forward so it meets O1. (See figure 2)



(Figure 2)



(Figure 3)

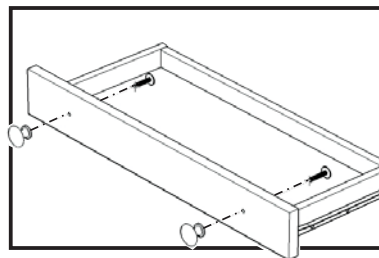
(Figure 4)

* If you are missing any of these parts, please contact our DMI Customer Service Department at 1-877-831-0319 or fax us at 1-800-755-2878.

STEP 3

Insert the short wood screws (8X) into the pre-drilled holes in O5, tighten screws. (See figure 3)

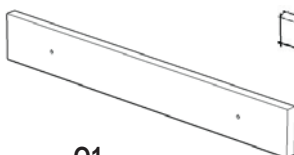
Tighten all screws used in drawer assembly.



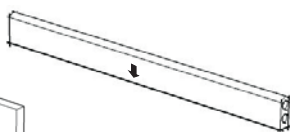
STEP 4

Attach hardware pulls with machine screws. (See figure 4)

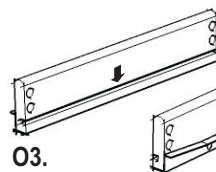
Part List



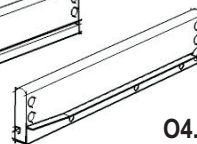
O1.
Front Part
1 pc.



O2.
Back Part
1 pc.



O3.
Side Part
1 pc.



O4.
Side Part
1 pc.



O5.
Base Part
1 pc.