

88 5800 01

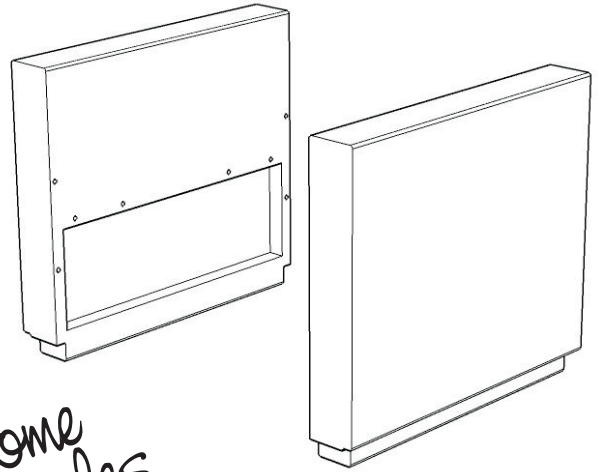
West Palm

Outdoor Resin Wicker Arm

IMPORTANT NOTE

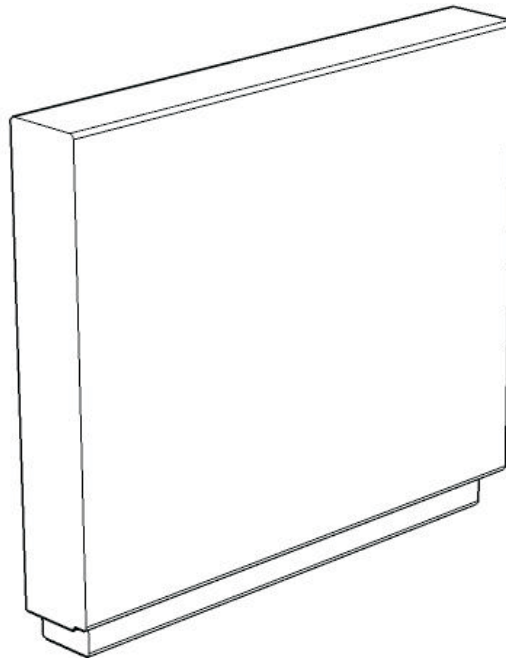
Carefully remove all the parts from the carton and put them individually on a soft cloth to prevent scratches or other damages occurring to the parts.

We have taken great care in the design of this product and request that you carefully and strictly follow our assembly instructions to ensure a completed product as it was designed.



Home Styles

Part List



A.
Arm
2 pcs.

Hardware List



Key Wrench
1 pc.



Small Hex Wrench
1 pc.



Head Cap Bolt (middle)
10 pcs.(+1 extra)



Spring Washer
10 pcs.(+1 extra)



Flat Washer
10 pcs.(+1 extra)

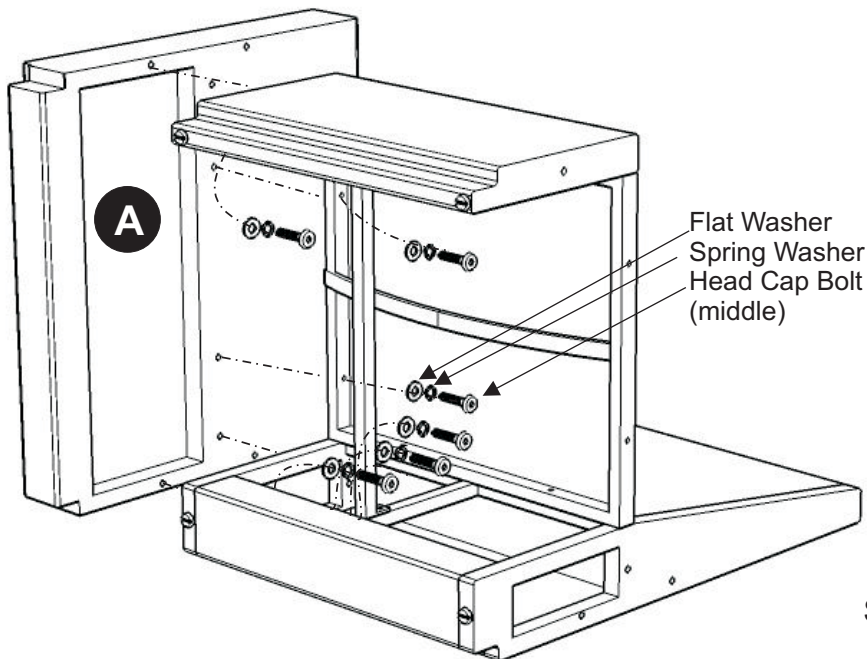
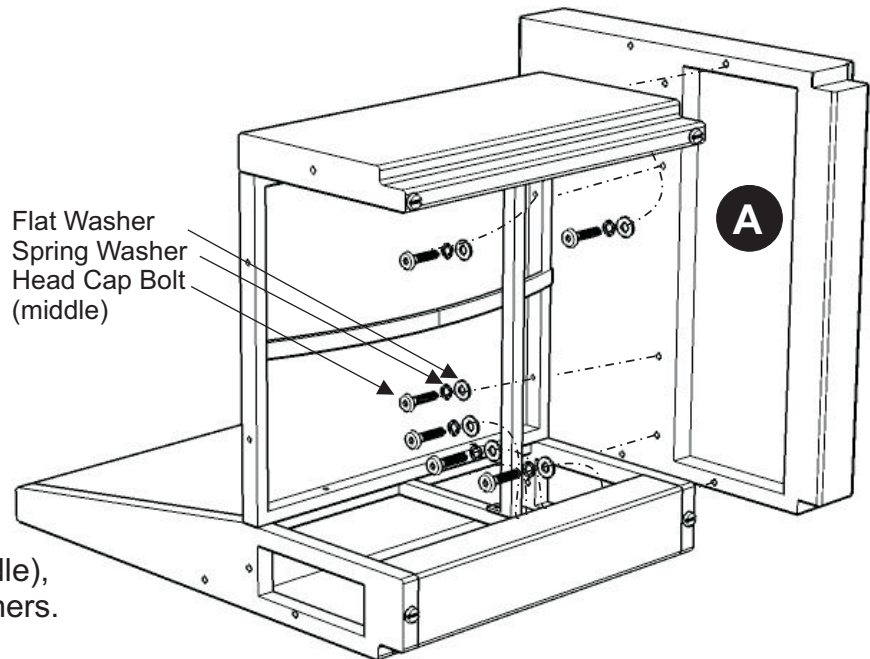
Assembly Instructions

IMPORTANT

- * Do not tighten up all the bolts until each part is properly assembled.
- * You should keep Hex Wrench in a safe place as you may need to tighten up the Head Cap Bolts in the future.
- * After assembly, item must be level to work properly. Use the included adjustable levelers to level.
- * Use a soft cloth between these parts and the floor.

Arm Assembly for right side

Attach Arm (A) to side chair unit with Head Cap Bolts (middle), Spring Washers and Flat Washers.



Arm Assembly for left side

Attach Arm (A) to side chair unit with Head Cap Bolts (middle), Spring Washers and Flat Washers.