

88 5800 02

West Palm

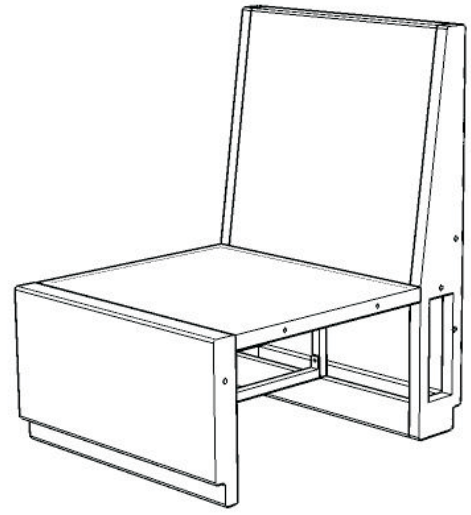
Outdoor Resin Wicker Chair

IMPORTANT NOTE

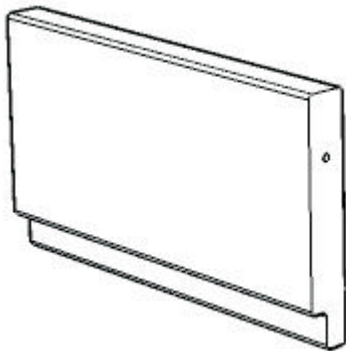
Carefully remove all the parts from the carton and put them individually on a soft cloth to prevent scratches or other damages occurring to the parts.

We have taken great care in the design of this product and request that you carefully and strictly follow our assembly instructions to ensure a completed product as it was designed.

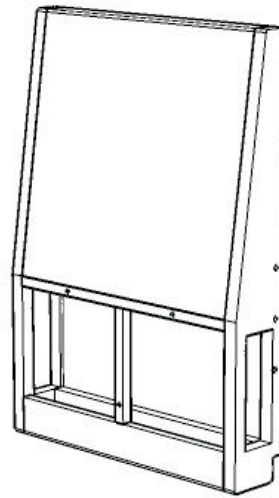
Home Styles



Part List



A.
Front Frame
1 pc.



B.
Back Frame
1 pc.



C.
Support
1 pc.



D.
Seat
1 pc.

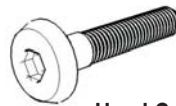
Hardware List



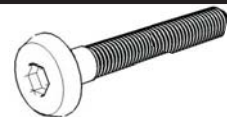
Key Wrench
1 pc.



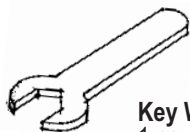
Small Hex Wrench
1 pc.



Head Cap Bolt (middle)
4 pcs.(+1 extra)



Head Cap Bolt (long)
6 pcs.(+1 extra)



Key Wrench
1 pc.



Head Cap Bolt (short)
2 pcs.(+1 extra)



Spring Washer
12 pcs.(+1 extra)



Flat Washer
12 pcs.(+1 extra)



Nut
6 pcs.(+1 extra)

Tools recommended for assembly : Level

Home Styles Consumer Assistance Line 888-680-7460 and 877-831-0319
servicedesk@homestyles-furniture.com

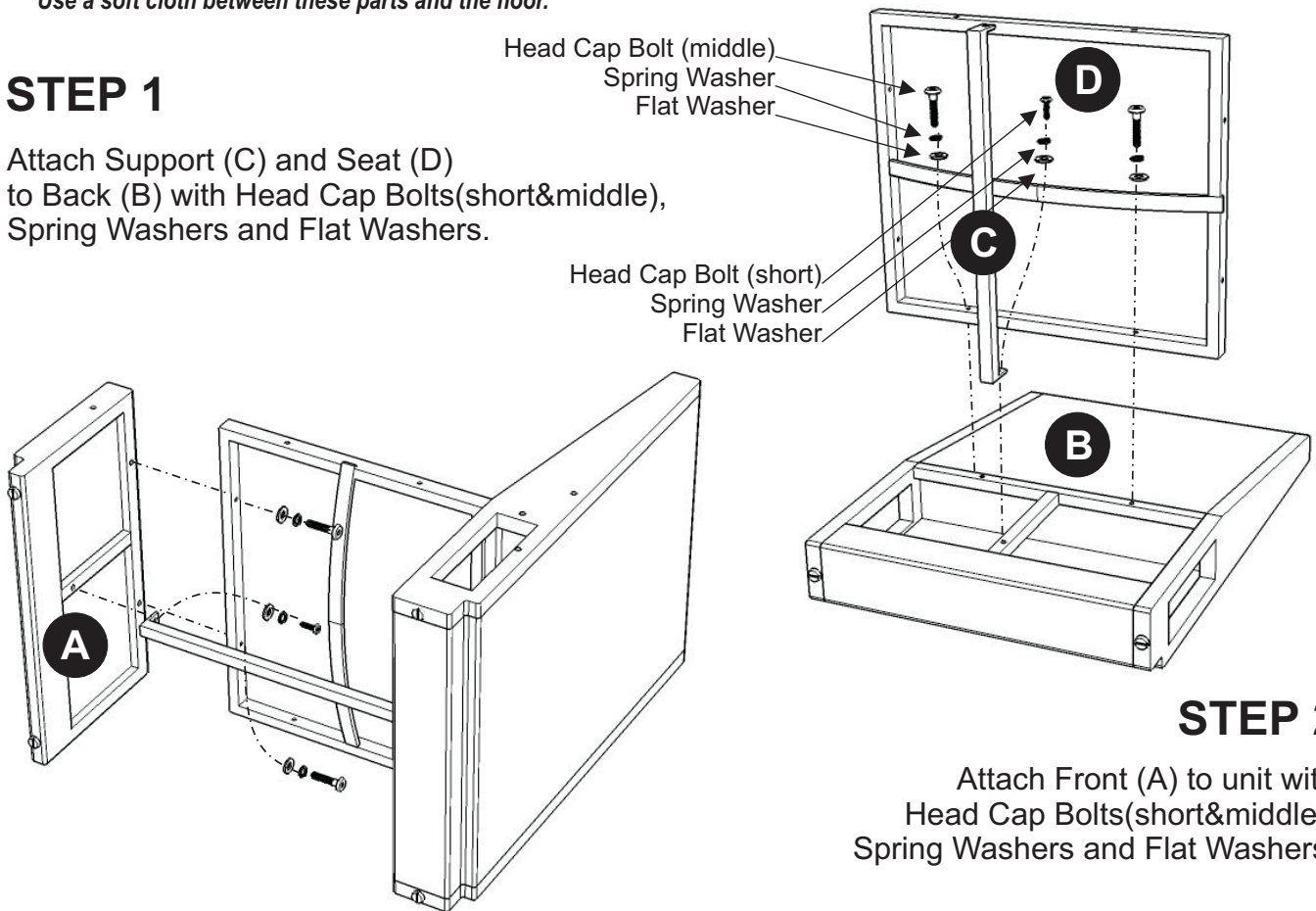
Assembly Instructions

IMPORTANT

- * Do not tighten up all the bolts until each part is properly assembled.
- * You should keep Hex Wrench in a safe place as you may need to tighten up the Head Cap Bolts in the future.
- * After assembly, item must be level to work properly. Use the included adjustable levelers to level.
- * Use a soft cloth between these parts and the floor.

STEP 1

Attach Support (C) and Seat (D) to Back (B) with Head Cap Bolts(short&middle), Spring Washers and Flat Washers.



STEP 2

Attach Front (A) to unit with Head Cap Bolts(short&middle), Spring Washers and Flat Washers.

STEP 3 (If necessary)

To attach side chair unit to another side chair unit use Head Cap Bolts (long), Spring Washers, Flat Washers and Nuts.

Turn the unit to its' upright position.

To level the unit, adjust the adjustable levelers on the bottom of unit.
(See figure 1)

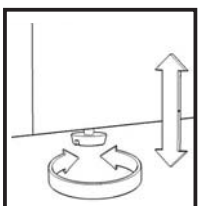
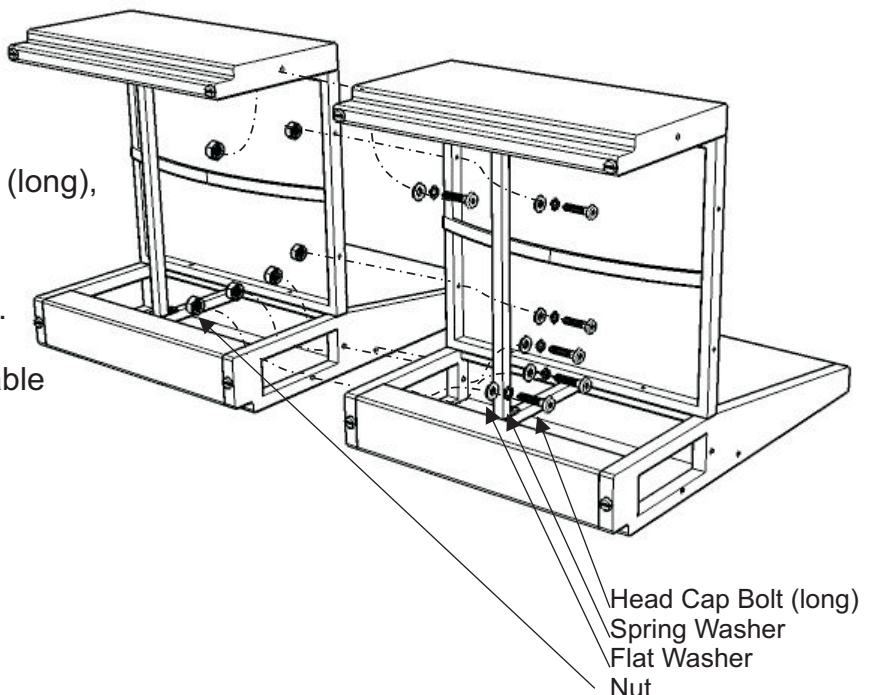


Figure 1



Noted: Please keep any remaining hardware as it may be required to complete your unit.
Noted: To attach Arms to unit please see instructions in 88 5800 01 Arm carton.

88 5800 01

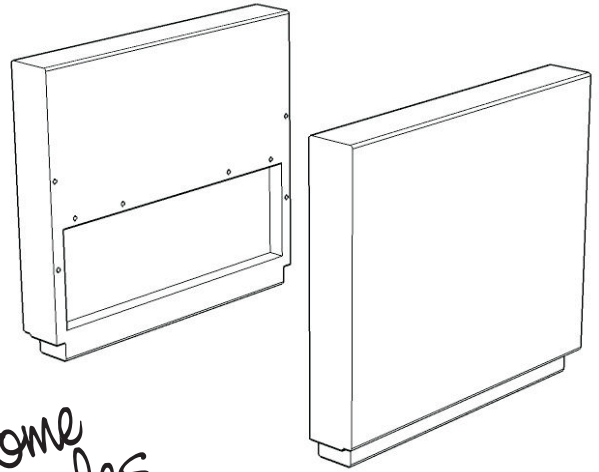
West Palm

Outdoor Resin Wicker Arm

IMPORTANT NOTE

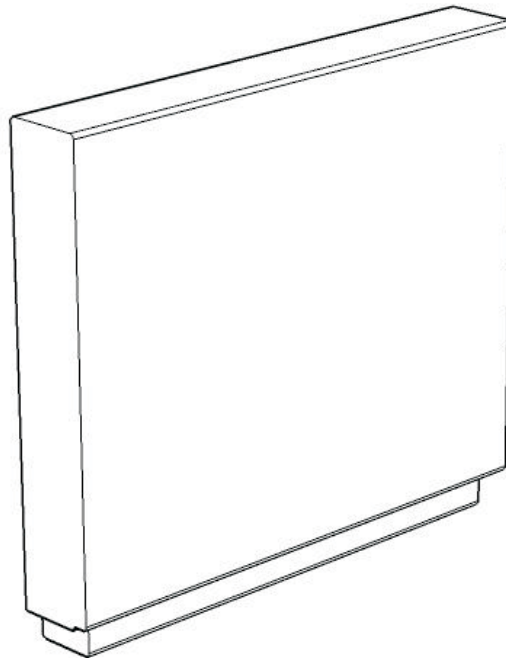
Carefully remove all the parts from the carton and put them individually on a soft cloth to prevent scratches or other damages occurring to the parts.

We have taken great care in the design of this product and request that you carefully and strictly follow our assembly instructions to ensure a completed product as it was designed.



Home Styles

Part List



A.
Arm
2 pcs.

Hardware List



Key Wrench
1 pc.



Small Hex Wrench
1 pc.



Head Cap Bolt (middle)
10 pcs.(+1 extra)



Spring Washer
10 pcs.(+1 extra)



Flat Washer
10 pcs.(+1 extra)

Home Styles Consumer Assistance Line 888-680-7460 and 877-831-0319
servicedesk@homestyles-furniture.com

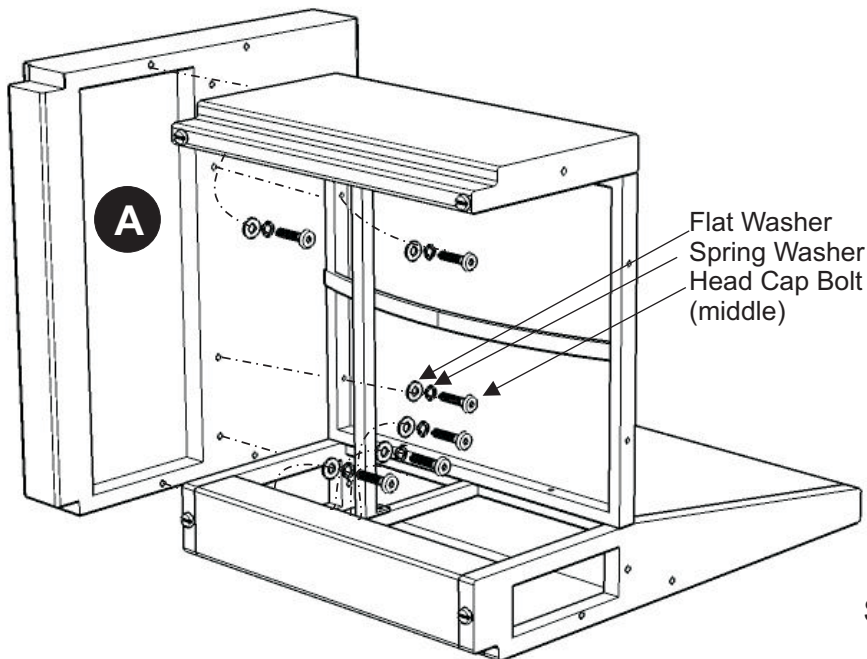
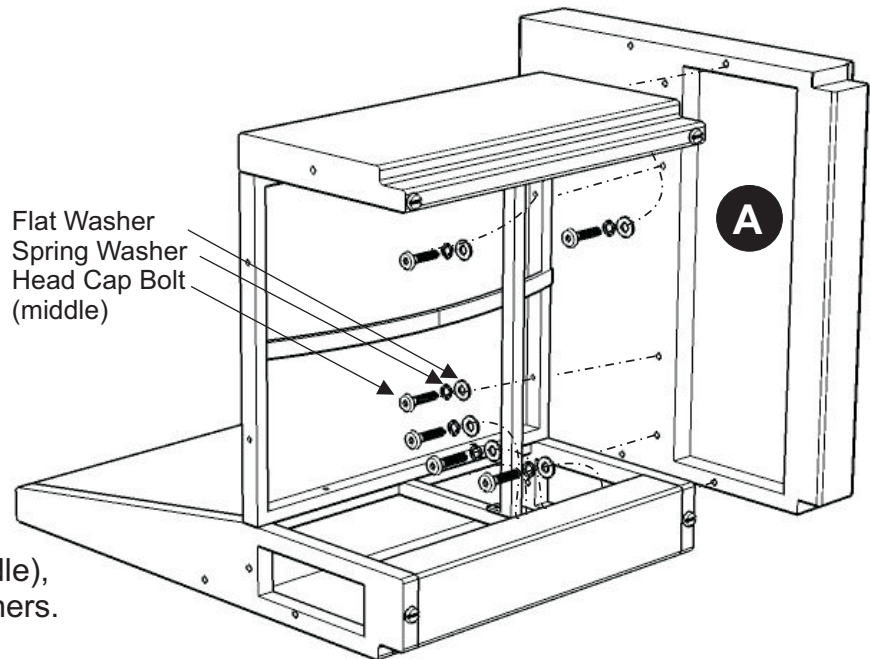
Assembly Instructions

IMPORTANT

- * Do not tighten up all the bolts until each part is properly assembled.
- * You should keep Hex Wrench in a safe place as you may need to tighten up the Head Cap Bolts in the future.
- * After assembly, item must be level to work properly. Use the included adjustable levelers to level.
- * Use a soft cloth between these parts and the floor.

Arm Assembly for right side

Attach Arm (A) to side chair unit with Head Cap Bolts (middle), Spring Washers and Flat Washers.



Arm Assembly for left side

Attach Arm (A) to side chair unit with Head Cap Bolts (middle), Spring Washers and Flat Washers.

88 5800 03

West Palm

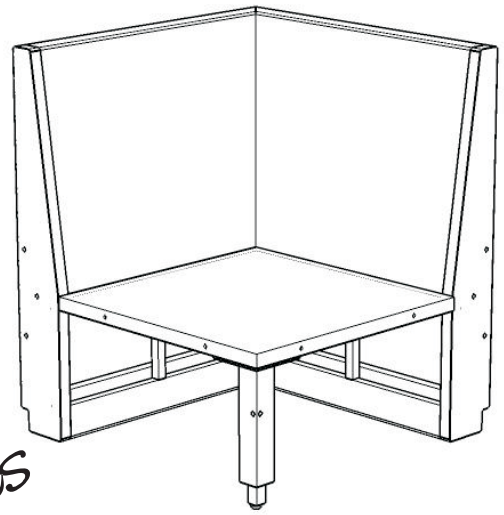
Outdoor Resin Wicker Corner Seat

IMPORTANT NOTE

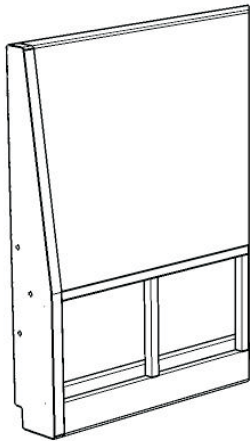
Carefully remove all the parts from the carton and put them individually on a soft cloth to prevent scratches or other damages occurring to the parts.

We have taken great care in the design of this product and request that you carefully and strictly follow our assembly instructions to ensure a completed product as it was designed.

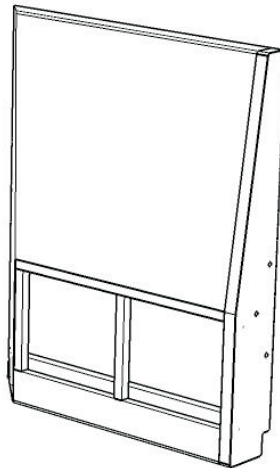
Home Styles



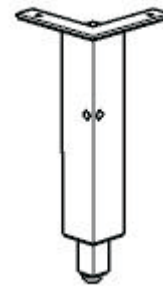
Part List



A.
Back Frame
1 pc.



B.
Back Frame
1 pc.



C.
Support
1 pc.



D.
Seat
1 pc.

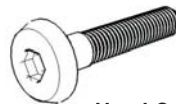
Hardware List



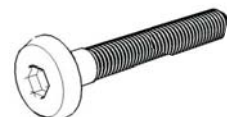
Key Wrench
1 pc.



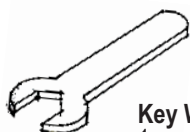
Small Hex Wrench
1 pc.



Head Cap Bolt (middle)
6 pcs.(+1 extra)



Head Cap Bolt (long)
6 pcs.(+1 extra)



Key Wrench
1 pc.



Head Cap Bolt (short)
2 pcs.(+1 extra)



Spring Washer
14 pcs.(+1 extra)



Flat Washer
14 pcs.(+1 extra)



Nut
6 pcs.(+1 extra)

Tools recommended for assembly : Level

Home Styles Consumer Assistance Line 888-680-7460 and 877-831-0319
servicedesk@homestyles-furniture.com

Assembly Instructions 2/3

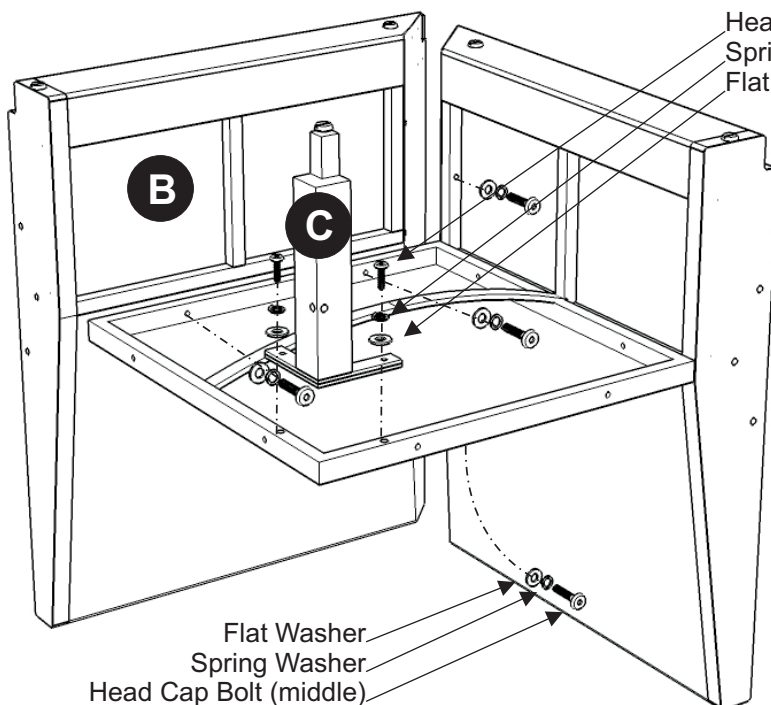
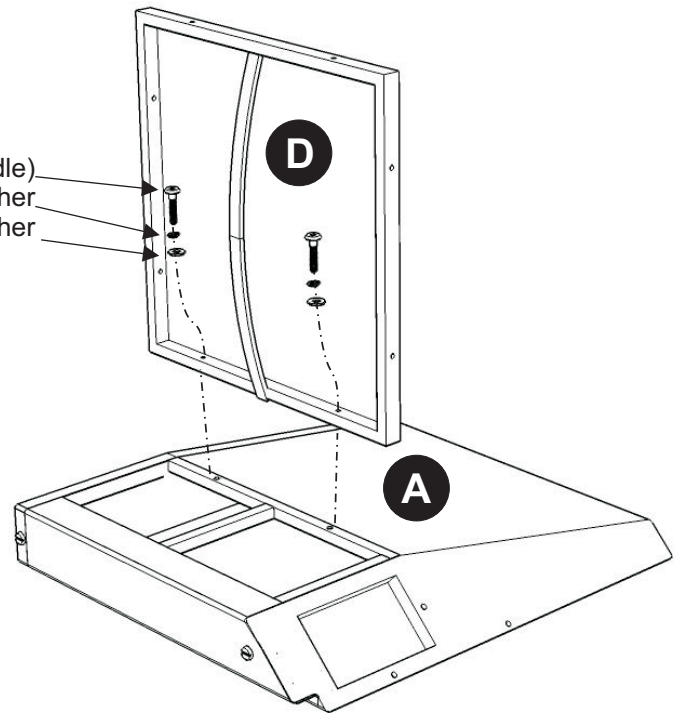
IMPORTANT

- * Do not tighten up all the bolts until each part is properly assembled.
- * You should keep Hex Wrench in a safe place as you may need to tighten up the Head Cap Bolts in the future.
- * After assembly, item must be level to work properly. Use the included adjustable levelers to level.
- * Use a soft cloth between these parts and the floor.

STEP 1

Attach Seat (D) to Back Frame (A) with Head Cap Bolts(middle), Spring Washers and Flat Washers.

Head Cap Bolt (middle)
Spring Washer
Flat Washer



Head Cap Bolt (short)
Spring Washer
Flat Washer

Flat Washer
Spring Washer
Head Cap Bolt (middle)

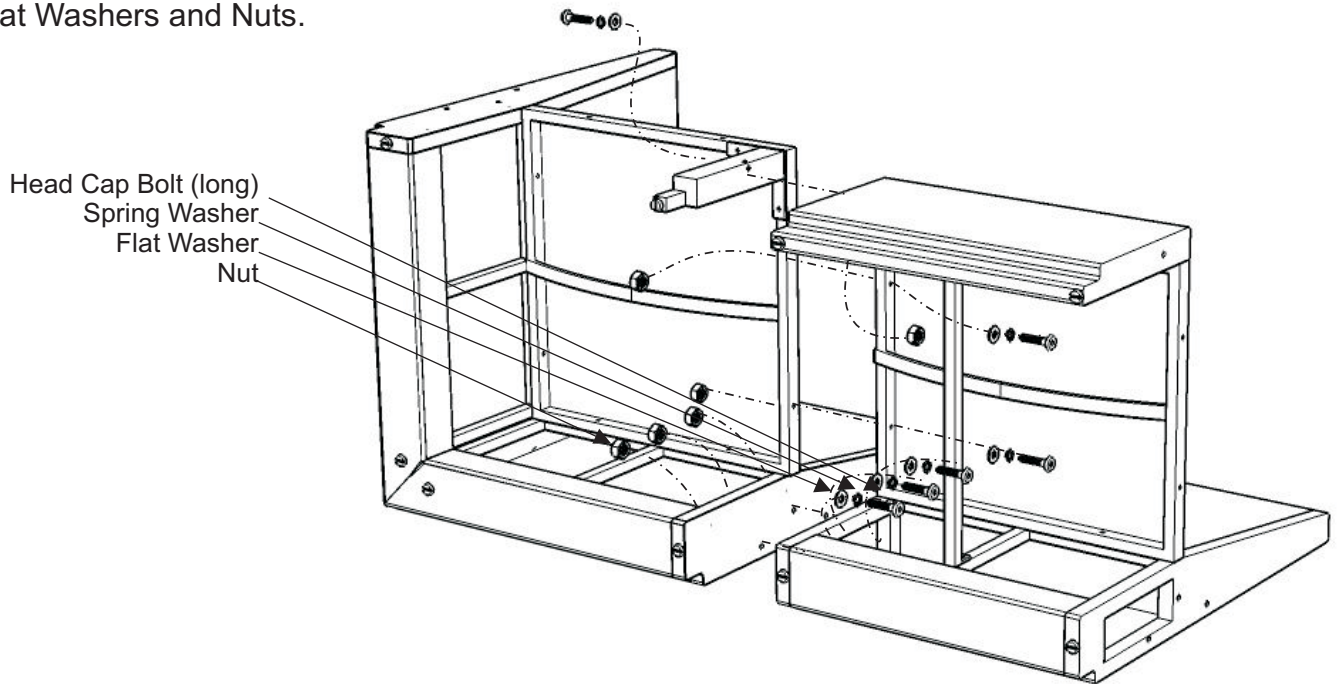
STEP 2

Attach Back Frame (B) to unit with Head Cap Bolts(middle), Spring Washers and Flat Washers.

Attach Support (C) to unit with Head Cap Bolts(short), Spring Washers and Flat Washers

STEP 3

To attach a chair unit to right side of corner unit use Head Cap Bolts (long), Spring Washers, Flat Washers and Nuts.



STEP 4

To attach a chair unit to left side of corner unit use Head Cap Bolts (long), Spring Washers, Flat Washers and Nuts, using hardware from chair unit carton.

Turn the unit to its' upright position.

To level the unit, adjust the adjustable levelers on the bottom of unit.
(See figure 1)

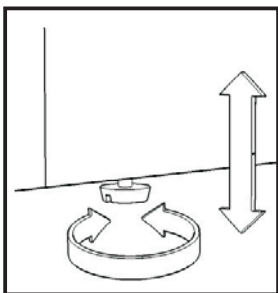
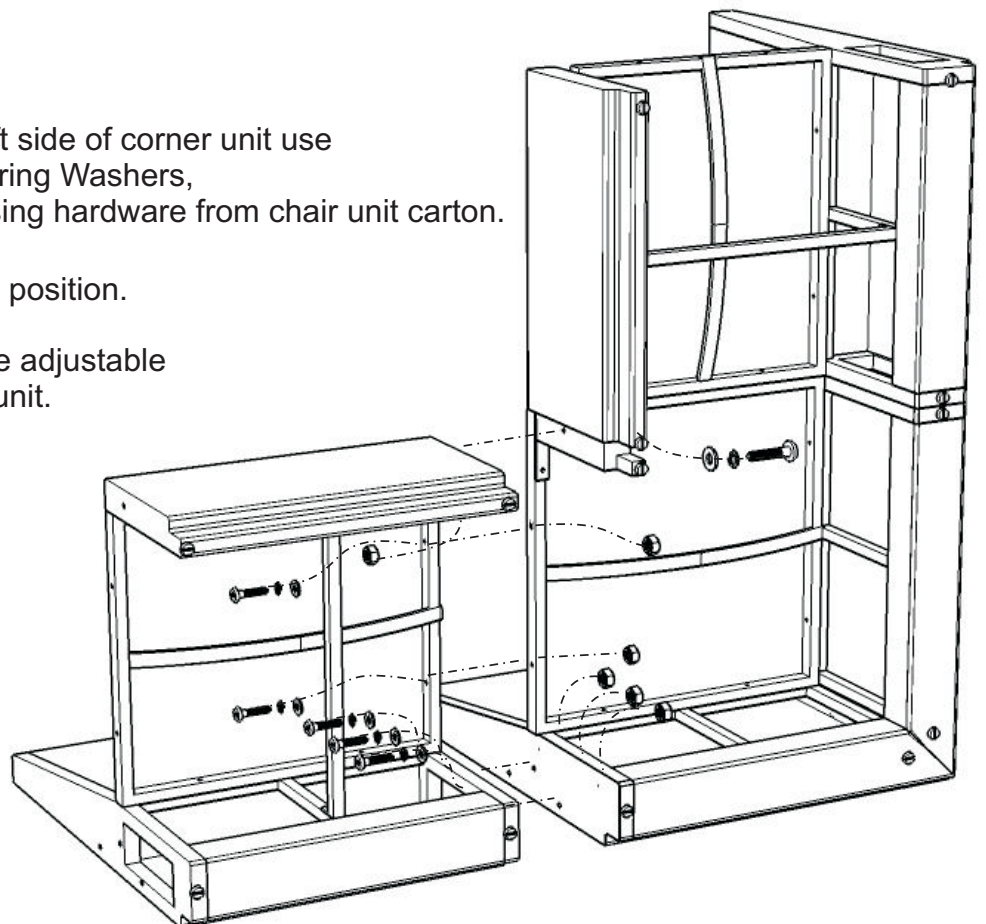


Figure 1