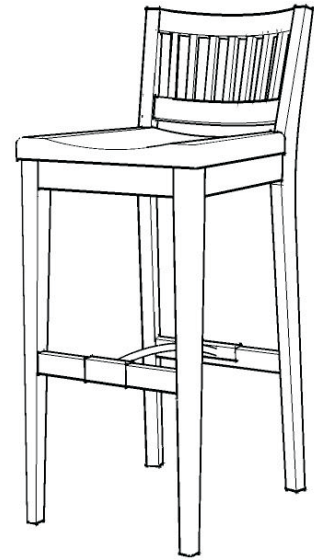


# 88 5987 88C Bar Stool with Metal Stretcher Bar (Cherry Finish)



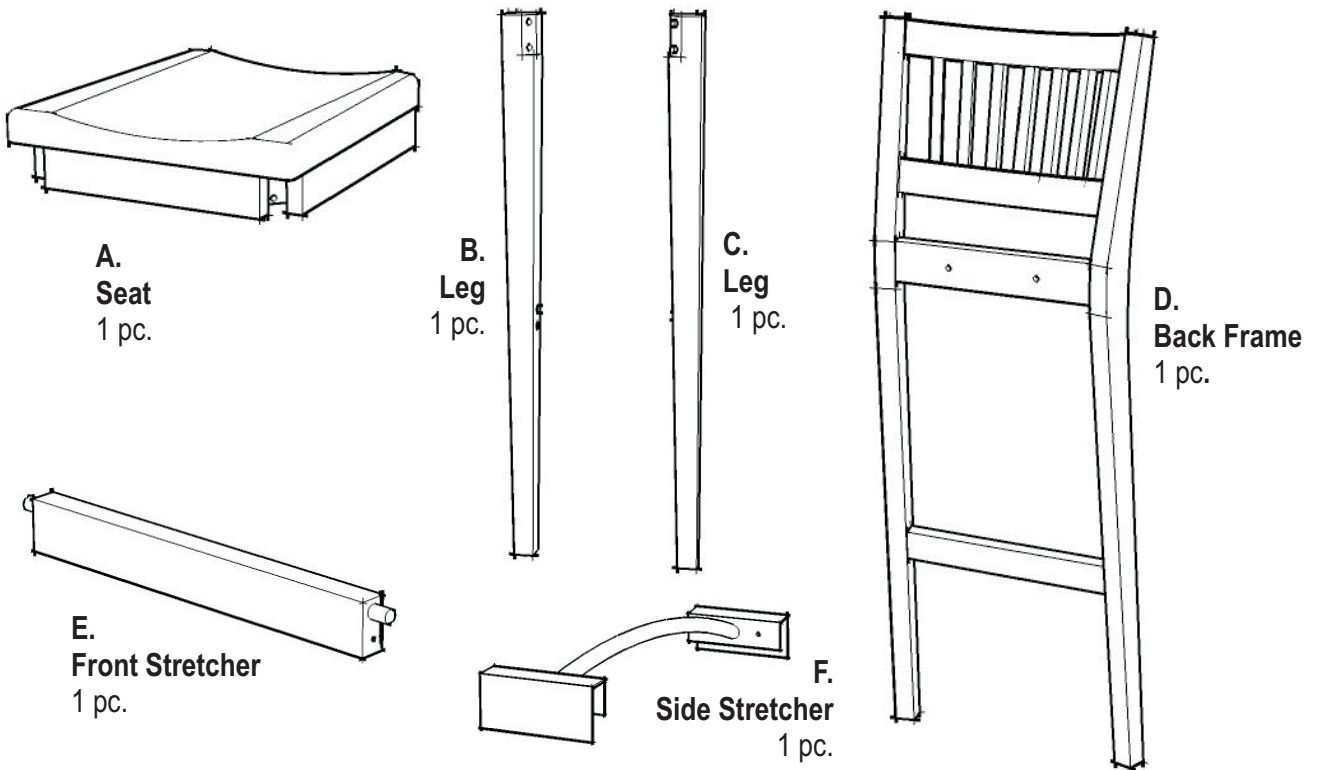
*Home  
Styles*

## IMPORTANT NOTE

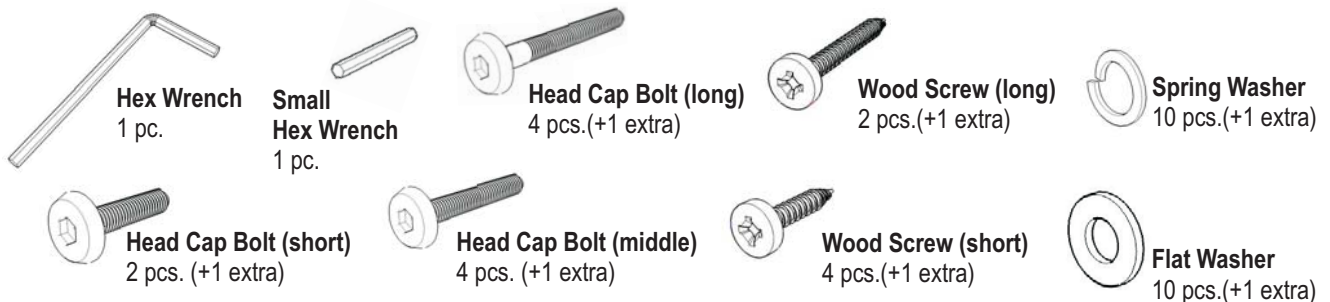
Carefully remove all the parts from the carton and put them individually on a soft cloth to prevent scratches or other damages occurring to the wood parts.

We have taken great care in the design of this product and request that you carefully and strictly follow our assembly instructions to ensure a completed product as it was designed.

## PART LIST



## HARDWARE LIST



**Tools Required For Assembly :** Phillips screwdriver

**Home Styles Consumer Assistance Line 888-680-7460 and 877-831-0319**  
**[servicedesk@homestyles-furniture.com](mailto:servicedesk@homestyles-furniture.com)**

# Assembly Instructions

## IMPORTANT

- \* Do not tighten up all the screws until each part is properly assembled.
- \* You should keep Hex Wrench in the safe place as you may need to tighten up the Head Cap Bolts in the future.

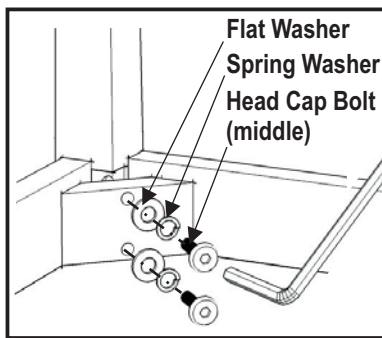
## STEP 1

Turn Seat (A) upside down and place it on a soft cloth.

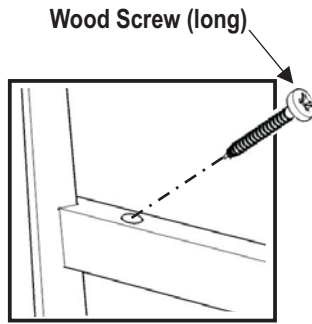
Attach Leg (B) and (C) to Seat (A), using Head Cap Bolts, Spring Washers and Flat Washers. (See figure 1)

Tighten Head Cap Bolts only half way.

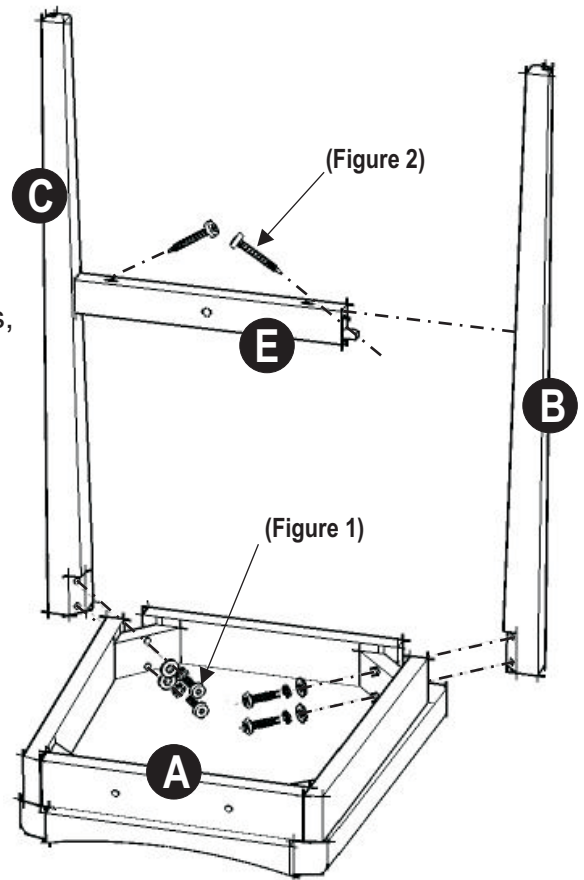
Attach Front Stretcher (E) in between Leg (B) and (C) with Wood Screws. (See figure 2)



( Figure 1)



( Figure 2)

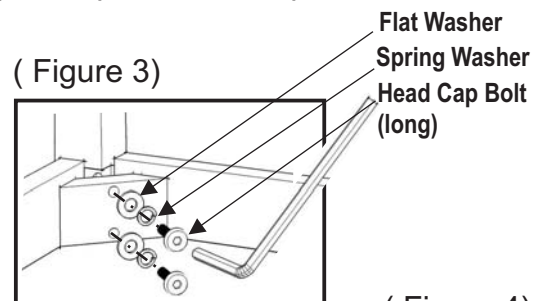
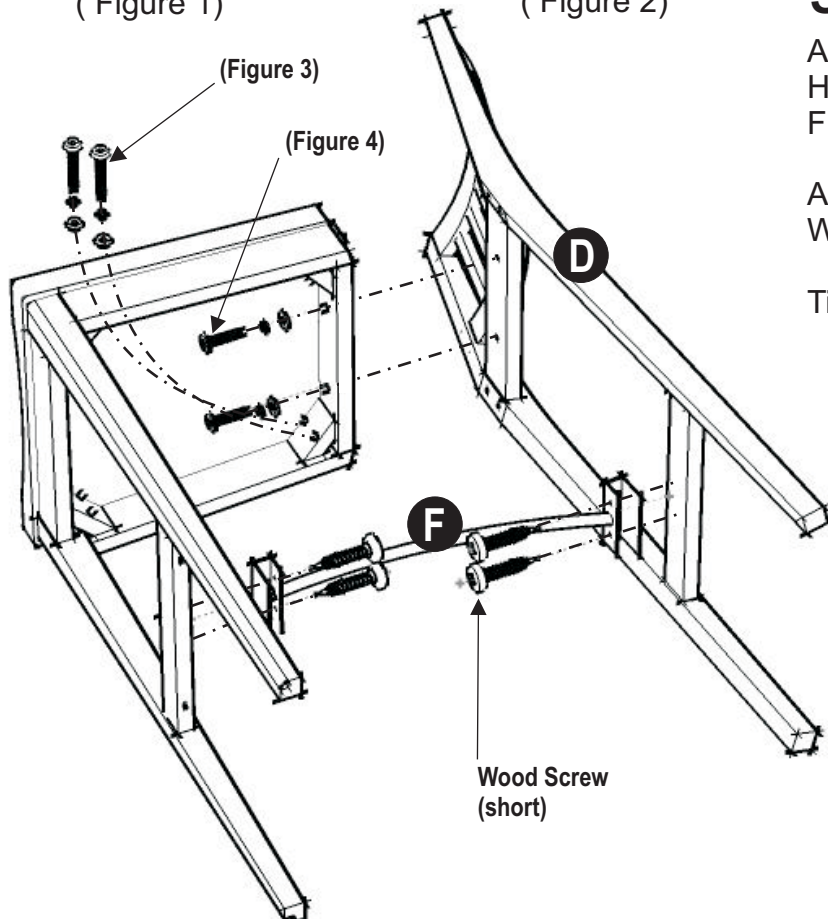


## STEP 2

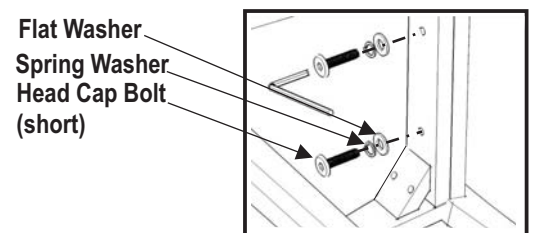
Attach Back Frame (D) to the unit, using Head Cap Bolts, Spring Washers and Flat Washers. (See figure 3-4)

Attach Side Stretcher (F) to the unit with Wood Screws.

Tighten up all Head Cap Bolts.



( Figure 4)



Flat Washer  
Spring Washer  
Head Cap Bolt  
(short)