

88 5989 88 Bar Stool 24"

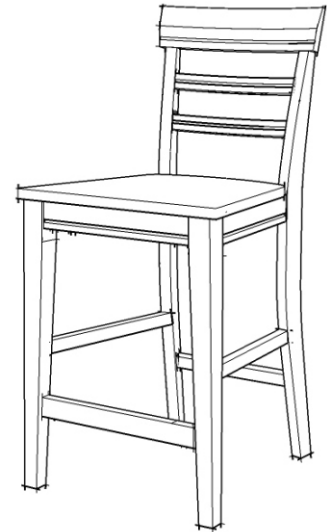
IMPORTANT NOTE

Carefully remove all the parts from the carton and put them individually on a soft cloth to prevent scratches or other damages occurring to the wood parts.

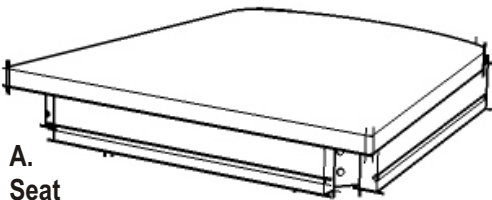
We have taken great care in the design of this product and request that you carefully and strictly follow our assembly instructions to ensure a completed product as it was designed.



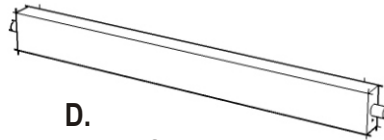
Casual Attire For Today's Home



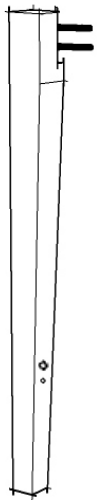
Unit Part List



A.
Seat
1 pc.



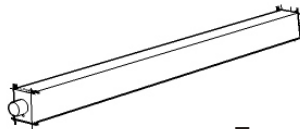
D.
Front Stretcher
1 pc.



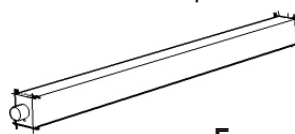
B.
Leg
1 pc.



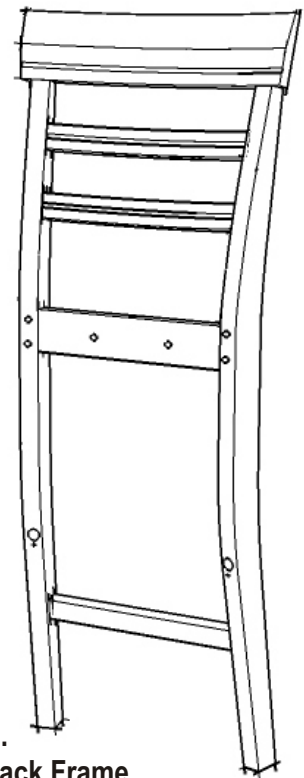
C.
Leg
1 pc.



E.
Side Stretcher
1 pc.



F.
Side Stretcher
1 pc.

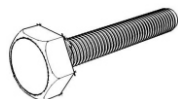


G.
Back Frame
1 pc.

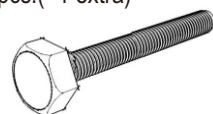
Hardware List



Key Wrench
1 piece.



Bolt
2 pcs.(+1 extra)



Bolt (long)
4 pcs.(+1 extra)



Nut
4 pcs.(+1 extra)



Wood Screw
6 pcs.(+1 extra)



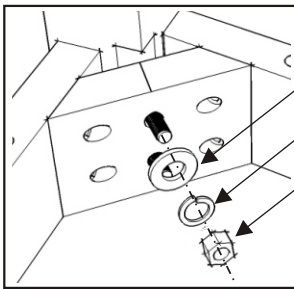
Flat Washer
10 pcs.(+1 extra)



Spring Washer
10 pcs.(+1 extra)

Tools required for assembly : Phillips screwdriver

Assembly Instructions



Flat Washer
Spring Washer
Nut

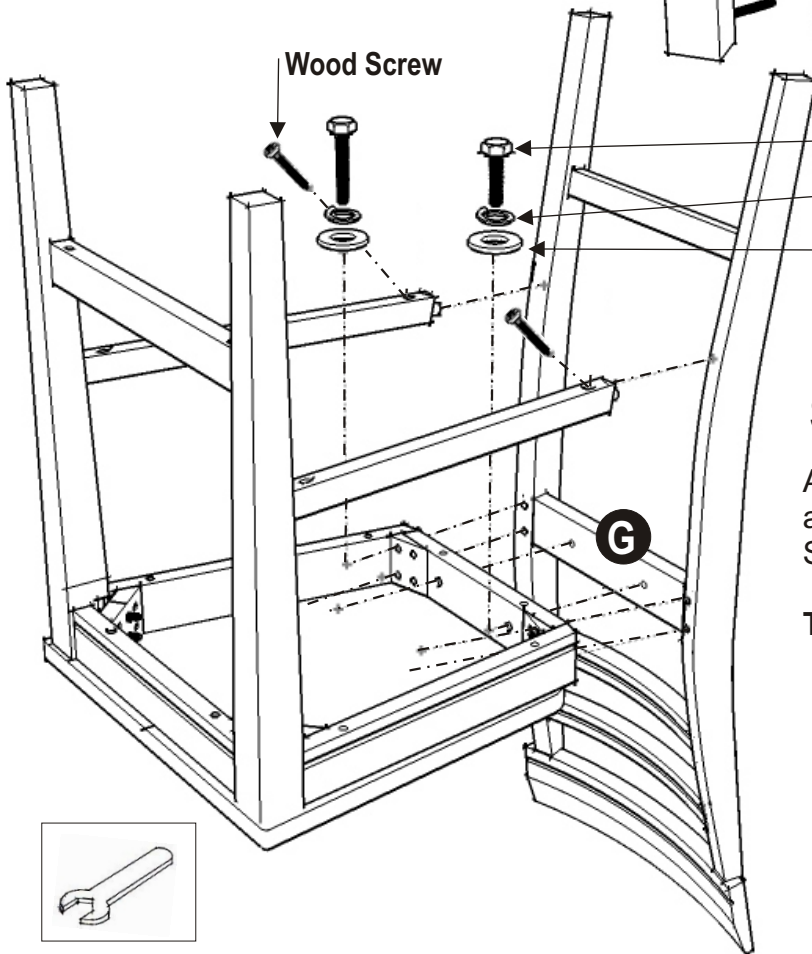
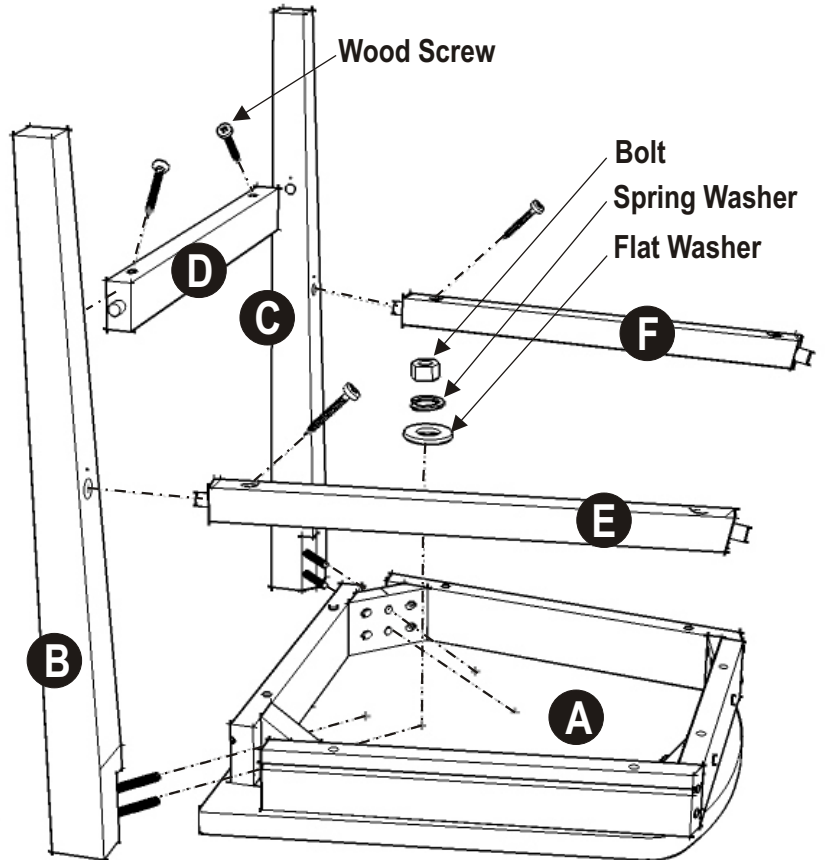
Bolt Assembly (Leg Part)

STEP 1

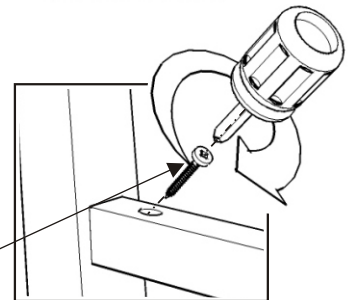
Attach Leg (B) and (C) to Seat (A) with Flat Washers, Spring Washers and Nuts. Tighten Nuts only half way.

Attach Front Stretcher (D) to the unit with Wood Screws.

Attach Side Stretcher (E) to Leg (B) and Side Stretcher (F) to Leg (C) with Wood Screws. (See figure 1).



Wood Screw
Bolt
Spring Washer
Flat Washer
Wood Screw



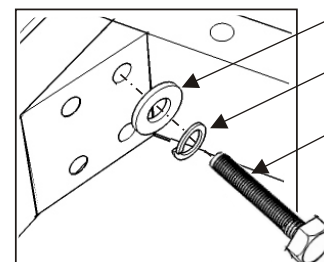
(Figure 1)

STEP 2

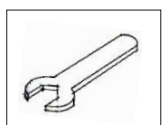
Attach the Back Frame (G) to the assembled unit with Flat Washers, Spring Washers, Bolts and Wood Screws.

Tighten up all Bolts and Nuts.

Bolt Assembly (Back Frame)



Flat Washer
Spring Washer
Bolt



Please keep the Key Wrench as you may need to retighten the Bolts in the future.