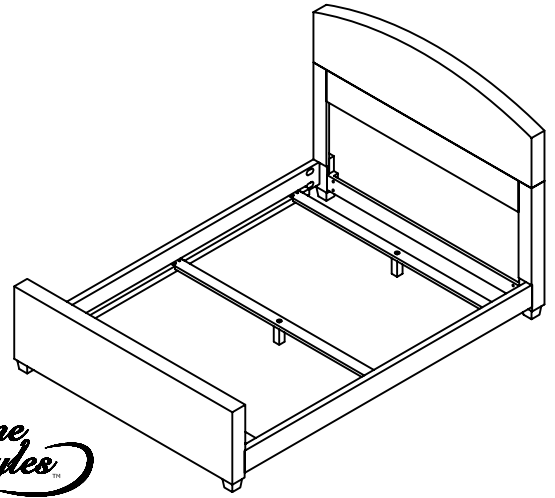


# 88 5401 403 Cabana Banana Bed Rails (Honey Finish)

## IMPORTANT NOTE

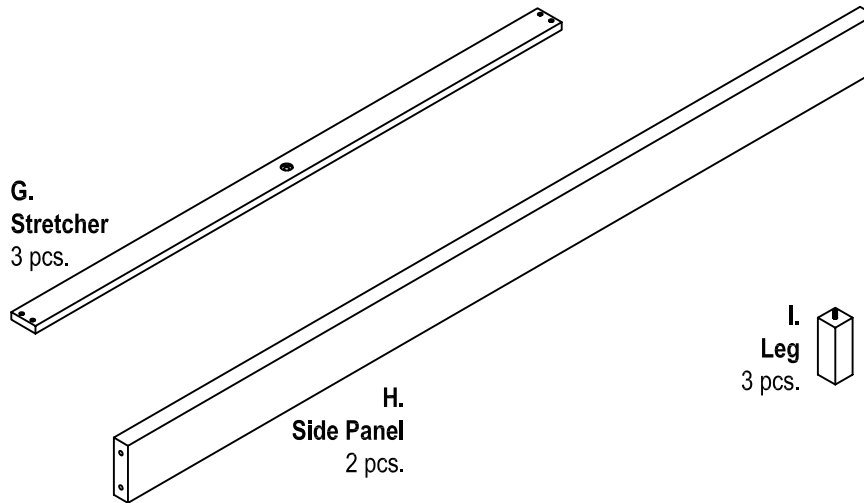
Carefully remove all the parts from the carton and put them individually on a soft cloth to prevent scratches or other damages occurring to the wood parts.

We have taken great care in the design of this product and request that you carefully and strictly follow our assembly instructions to ensure a completed product as it was designed.



Casual Attire For Today's Home

## Part List



## Hardware List



**Bolt**  
8 pcs. (+1 extra)



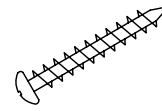
**Square Washer**  
8 pcs. (+1 extra)



**Nut**  
8 pcs. (+1 extra)



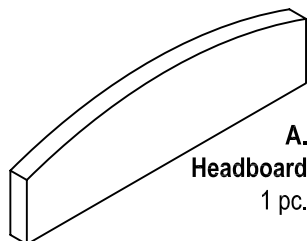
**Key Wrench**  
1 pc.



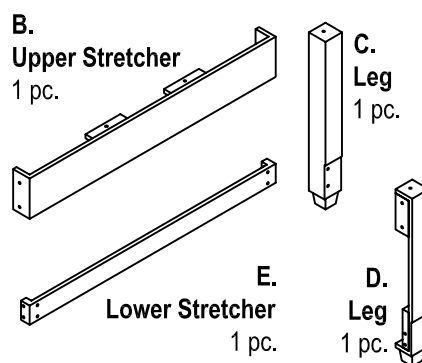
**Wood Screw**  
12 pcs. (+1 extra)

## For assembly also need the following :

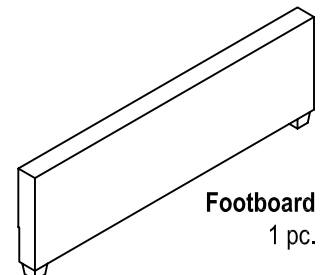
88 5401 4011 Bed Headboard Carton quantity: 1



88 5401 4012 Bed Headboard Carton quantity: 1



88 5401 402 Bed Footboard Carton quantity: 1



Tools Required For Assembly : Phillips screwdriver

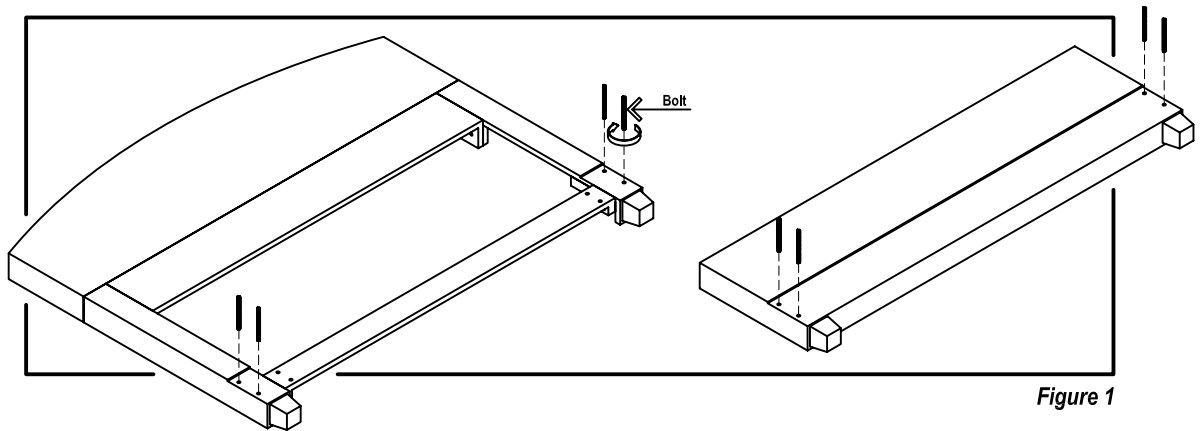
**Home Styles Consumer Assistance Line 888-680-7460 and 877-831-0319**  
**servicedesk@homestyles-furniture.com**

# Assembly Instructions 2/2

## IMPORTANT

Do not tighten up all the screws until each part is properly assembled.

You should keep Hex Wrench in a safe place as you may need to tighten up the Head Cap Bolts in the future.



## STEP 1

Insert Bolts into the pre-drilled holes of Headboard and Footboard. (See figure 1)

Assemble Side Panel (H) to Headboard and Footboard using Square Washers and Nuts.

Tighten all the Bolts with Key Wrench. (See figure 2)

Insert Leg (I) into pre-drilled holes of Stretchers (G) and tighten up.

Attach Stretchers (G) to the unit with Wood Screws.

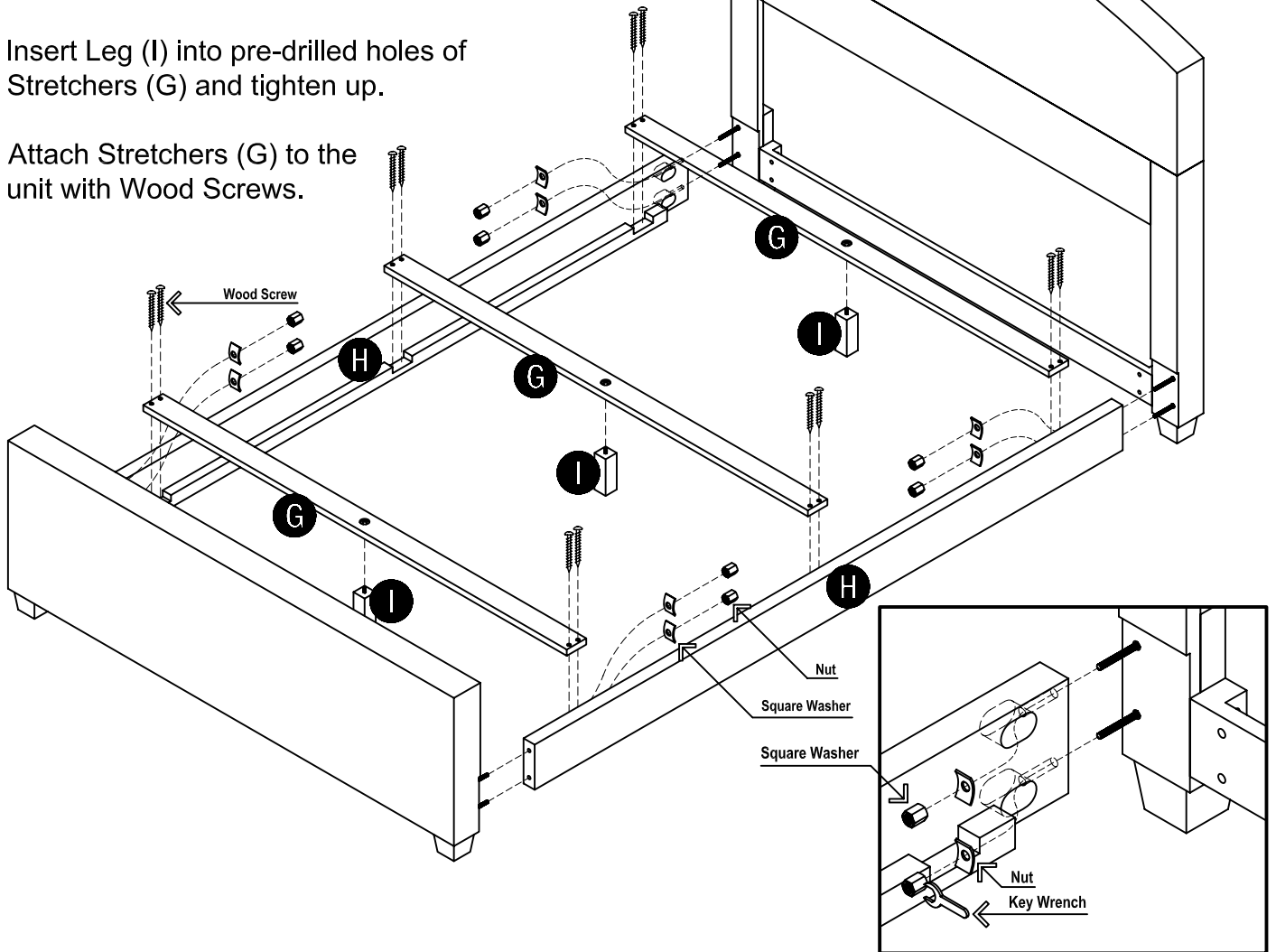


Figure 2