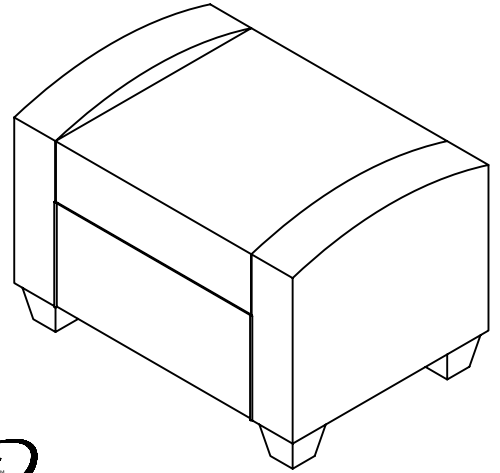


88 5402 90 Cabana Banana Ottoman (Cocoa Finish)

IMPORTANT NOTE

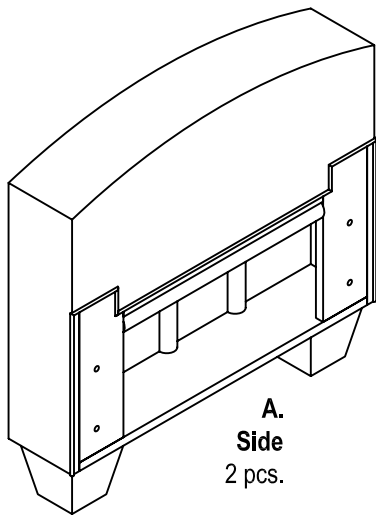
Carefully remove all the parts from the carton and put them individually on a soft cloth to prevent scratches or other damages occurring to the wood parts.

We have taken great care in the design of this product and request that you carefully and strictly follow our assembly instructions to ensure a completed product as it was designed.

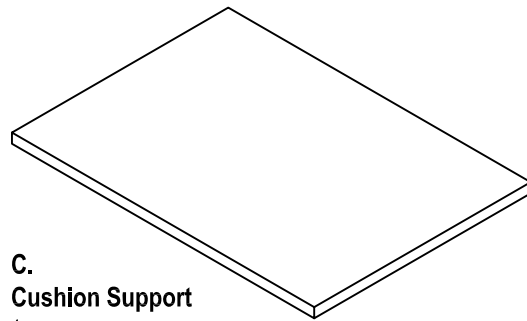


Casual Attire For Today's Home

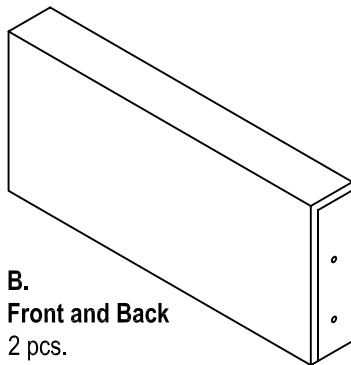
Part List



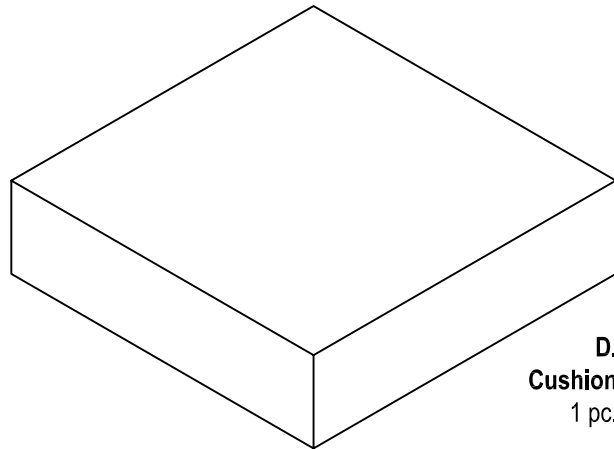
A.
Side
2 pcs.



C.
Cushion Support
1 pc.



B.
Front and Back
2 pcs.

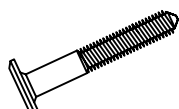


D.
Cushion
1 pc.

Hardware List



Allen Key
1 pc.



Bolt
8 pcs. (+1 extra)



Flat Washer
8 pcs. (+1 extra)



Spring Washer
8 pcs. (+1 extra)

Assembly Instructions 2/3

IMPORTANT

- * Do not tighten up all the bolts until each part is properly assembled.
- * You should keep Allen Key in a safe place as you may need to tighten up the bolts in the future.

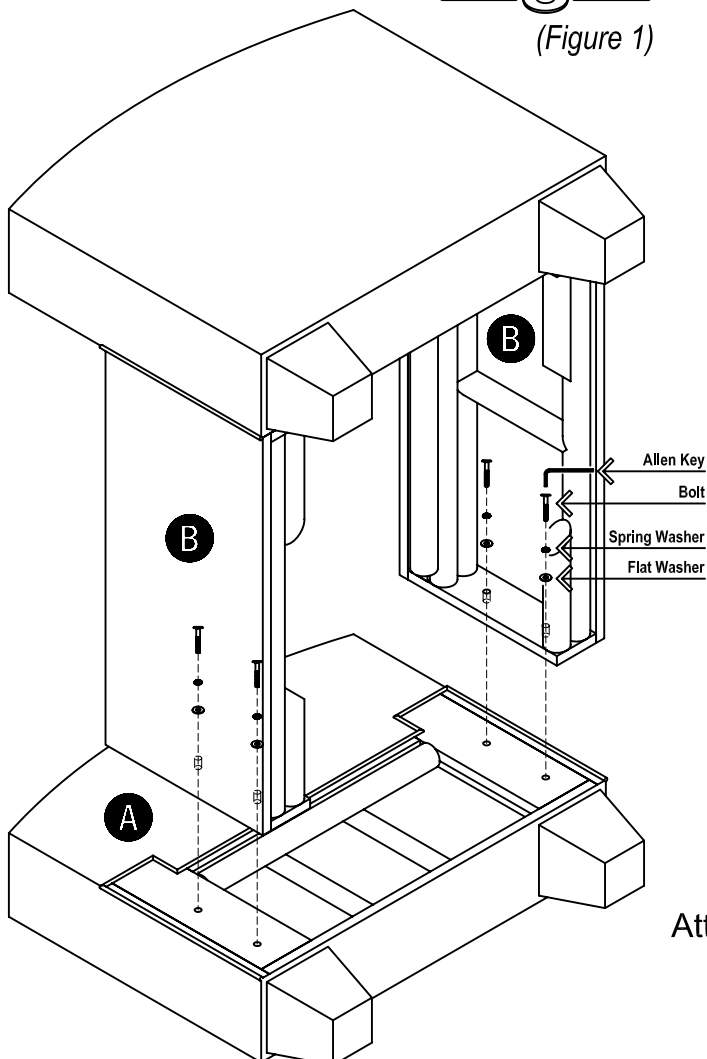
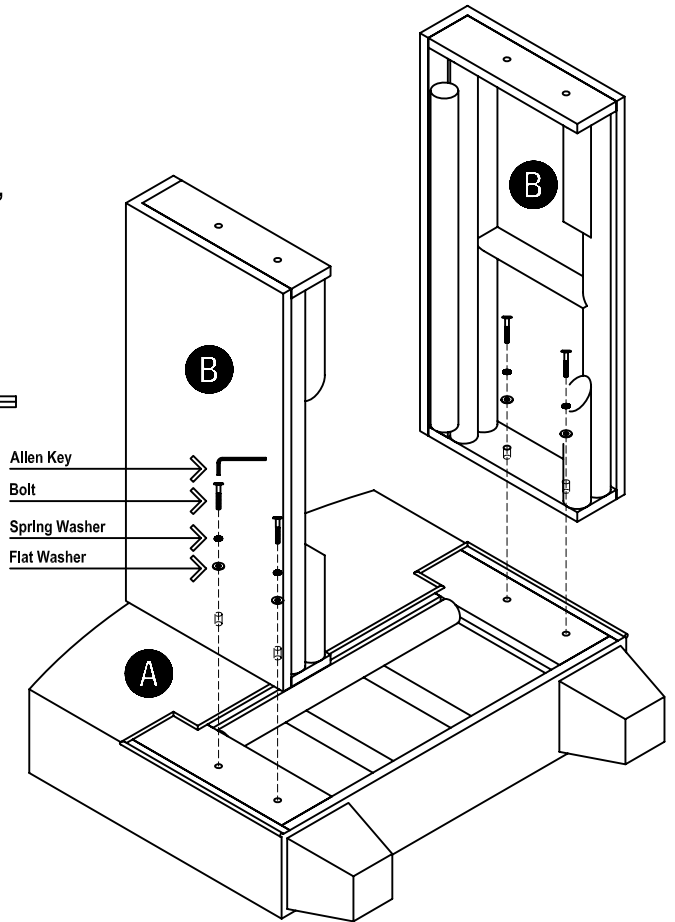
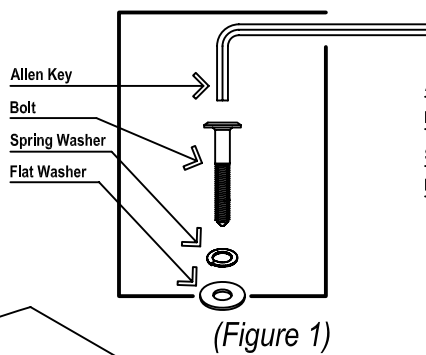
STEP 1

Place one of Side (A) on a soft cloth.

Attach Front and Back (B) to Side (A) using Bolts, Spring Washers and Flat Washers.

To tighten Bolts, turn clockwise using Allen Key.

(See figure 1).



STEP 2

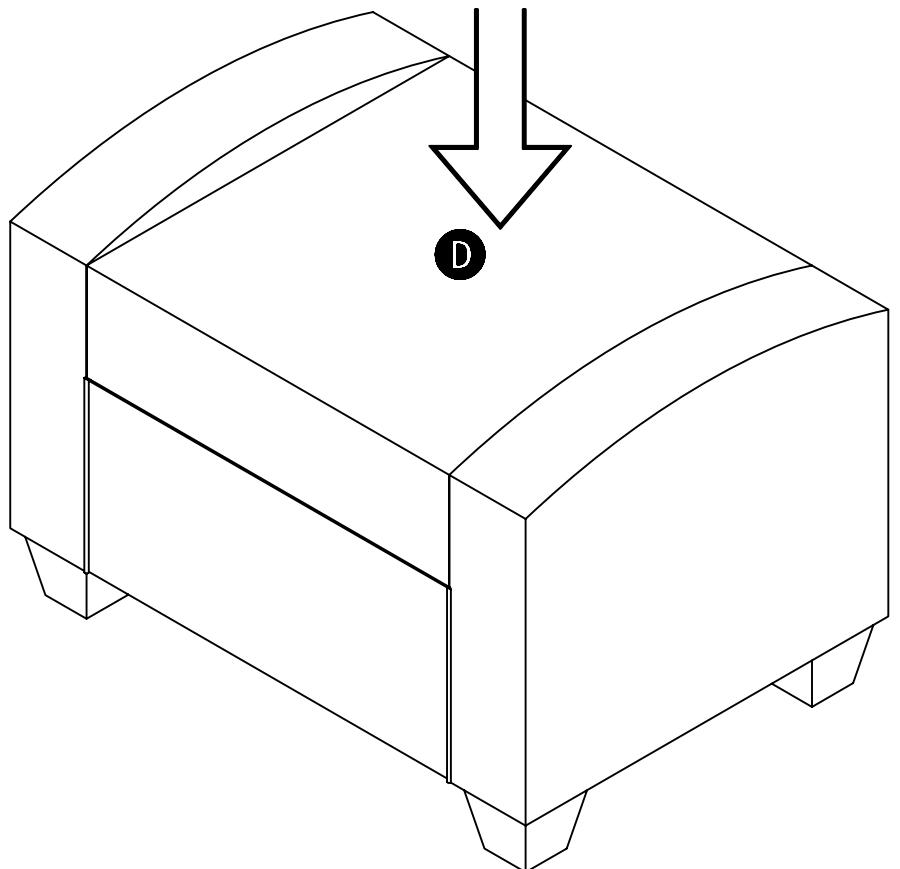
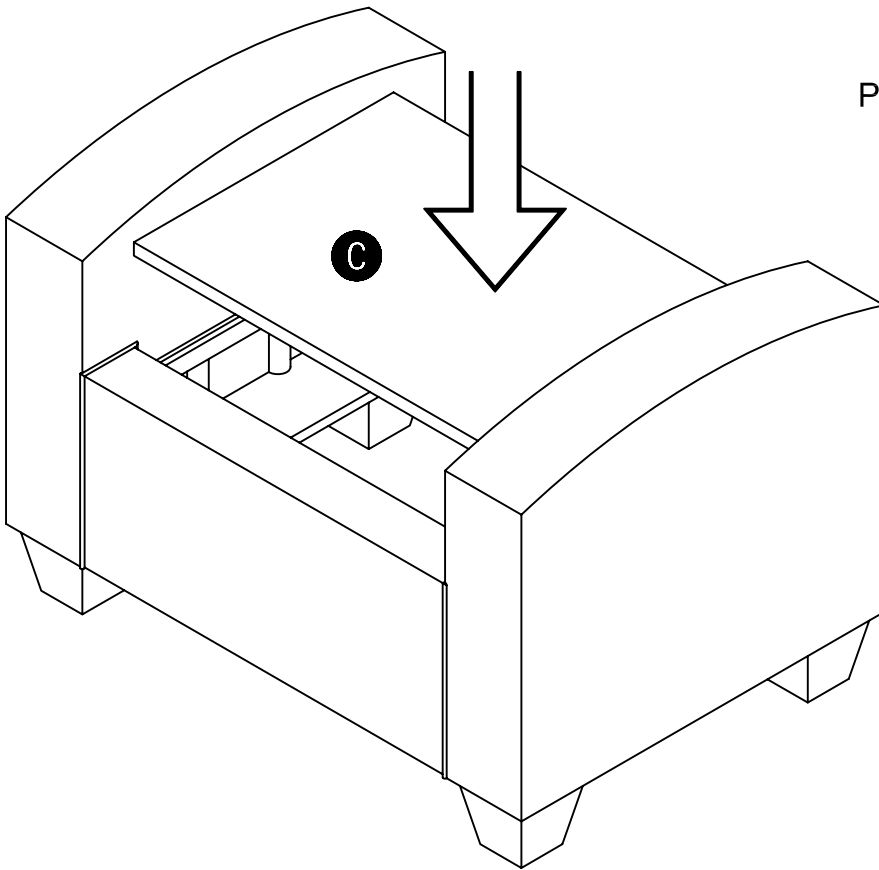
Attach Front and Back (B) to Side (A) using Bolts, Spring Washers and Flat Washers.

Tighten Bolts.

Assembly Instructions 3/3

STEP 3

Place Cushion Support (C) onto unit.



STEP 4

Place Cushion onto unit.